



Chipsmall Limited consists of a professional team with an average of over 10 year of expertise in the distribution of electronic components. Based in Hongkong, we have already established firm and mutual-benefit business relationships with customers from,Europe,America and south Asia,supplying obsolete and hard-to-find components to meet their specific needs.

With the principle of “Quality Parts,Customers Priority,Honest Operation,and Considerate Service”,our business mainly focus on the distribution of electronic components. Line cards we deal with include Microchip,ALPS,ROHM,Xilinx,Pulse,ON,Everlight and Freescale. Main products comprise IC,Modules,Potentiometer,IC Socket,Relay,Connector.Our parts cover such applications as commercial,industrial, and automotives areas.

We are looking forward to setting up business relationship with you and hope to provide you with the best service and solution. Let us make a better world for our industry!



## Contact us

Tel: +86-755-8981 8866 Fax: +86-755-8427 6832

Email & Skype: info@chipsmall.com Web: www.chipsmall.com

Address: A1208, Overseas Decoration Building, #122 Zhenhua RD., Futian, Shenzhen, China



4

3

2

1

THIS DRAWING IS UNPUBLISHED.  
DIFFUSION RESTREINTE AMP  
© COPYRIGHT 19

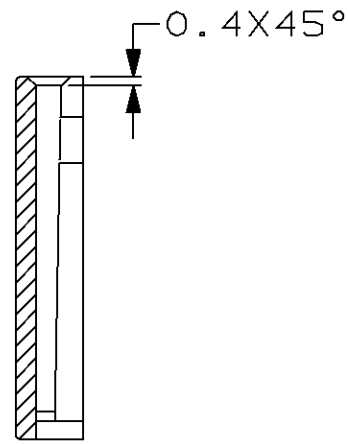
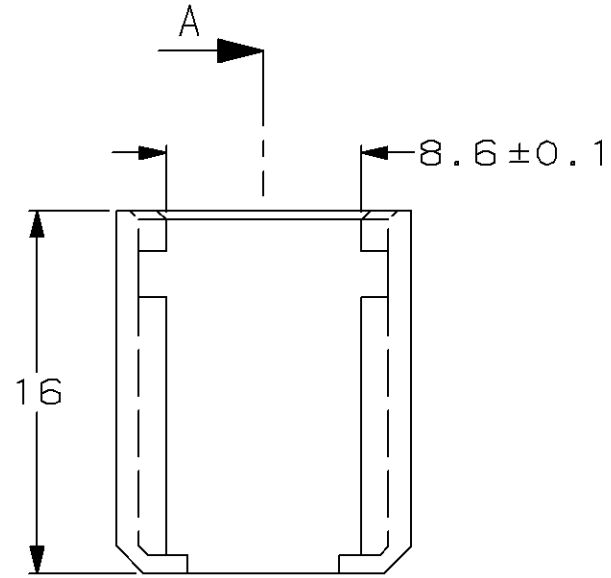
RELEASED FOR PUBLICATION  
DIFFUSION PUBLIQUE  
BY AMP INCORPORATED. ALL RIGHTS RESERVED.  
TOUS DROITS RESERVES

,19

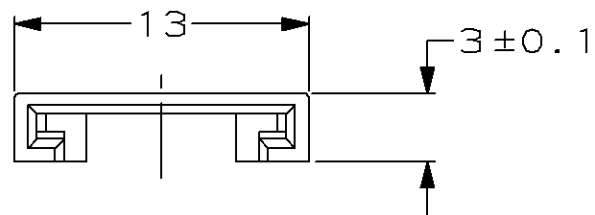
LOC F DIST 7

REVISIONS

P	LTR REV	DESCRIPTION MODIFICATIONS	DATE	DWN DESS.	APVD APP.
	A	UP DATED	09/94	DE	-
	B	NEW TITLE BLOCK	09-OCT-96	MP	-
	C	ENGLISH TRANSLATION	18-MAR-98	JL	-



SECTION A-A



THIS DRAWING IS A CONTROLLED DOCUMENT FOR AMP INCORPORATED. IT IS SUBJECT TO CHANGE AND THE CONTROLLING ENGINEERING ORGANIZATION SHOULD BE CONTACTED FOR THE LATEST REVISION. CE PLAN EST UN DOCUMENT CONTROLE PAR AMP INCORPORATED. IL EST SUSCEPTIBLE D'ETRE REVISE. CONTACTER LE SERVICE TECHNIQUE D'AMP DE FRANCE POUR OBTENIR LA DERNIERE REVISION.		DWN/DESSINE 04/11/93 <b>D. ELISEI</b> CHK/VERIFIE 08-APR-98 <b>J. LALANGE</b> APVD/APPROUVE 08-APR-98 <b>JJ. REVIL</b>	<b>AMP</b> AMP DE FRANCE 95301 PONTOISE
DIMENSIONS: mm	TOLERANCES UNLESS OTHERWISE SPECIFIED: TOLERANCES NON SPECIFIEES (SUIV NB DE DECIMALES): $\pm 0.3$ $\pm 0.1$ $\pm 0.1$ $\pm 0.1$ ANGLES $\pm 5^\circ$	NAME TITRE <b>LOCKING DEVICE FOR MQS HOUSING</b>	SIZE FORMAT <b>A3</b>
MATERIAL MATIERE <b>PBT</b>	FINISH FINITION -	APPLICATION SPEC SPEC. APPLICATION -	CAGE CODE <b>00779</b>
144936-1 AMP PART NUMBER	LOCKING DEVICE FOR MQS HOUSING DESCRIPTION	COLOR (COULEUR) BLACK (NOIR)	DRAWING NO No PLAN <b>C=144936</b>
CUSTOMER DRAWING/PLAN CLIENT		UNIQUEMENT POUR REFERENCE	SCALE ECHELLE 1:1 SHEET FEUILLE 1 OF 1 DE 1 REV C