



Chipsmall Limited consists of a professional team with an average of over 10 year of expertise in the distribution of electronic components. Based in Hongkong, we have already established firm and mutual-benefit business relationships with customers from,Europe,America and south Asia,supplying obsolete and hard-to-find components to meet their specific needs.

With the principle of “Quality Parts,Customers Priority,Honest Operation,and Considerate Service”,our business mainly focus on the distribution of electronic components. Line cards we deal with include Microchip,ALPS,ROHM,Xilinx,Pulse,ON,Everlight and Freescale. Main products comprise IC,Modules,Potentiometer,IC Socket,Relay,Connector.Our parts cover such applications as commercial,industrial, and automotives areas.

We are looking forward to setting up business relationship with you and hope to provide you with the best service and solution. Let us make a better world for our industry!



Contact us

Tel: +86-755-8981 8866 Fax: +86-755-8427 6832

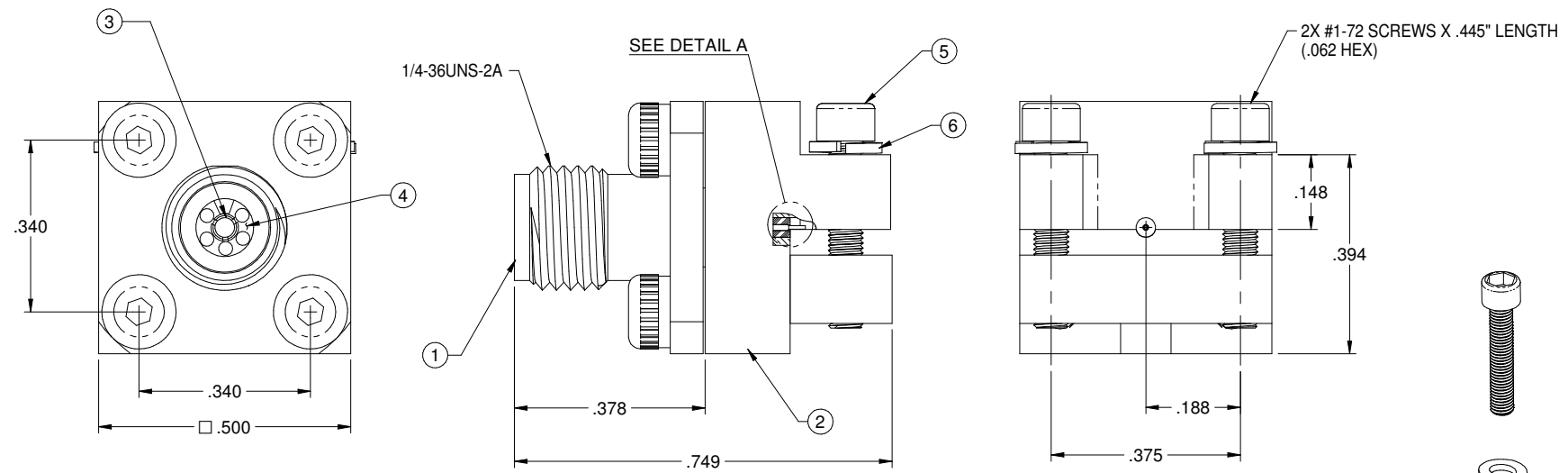
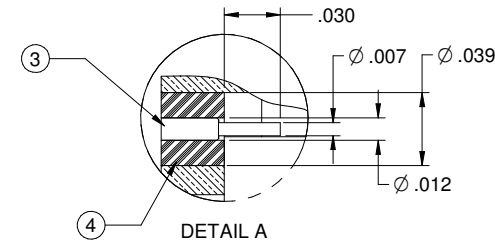
Email & Skype: info@chipsmall.com Web: www.chipsmall.com

Address: A1208, Overseas Decoration Building, #122 Zhenhua RD., Futian, Shenzhen, China



PART NUMBER	ITEM ① MAIN BODY	ITEM ② MOUNTING BODY	ITEM ③ CONTACT	ITEM ④ INSULATOR	ITEM ⑤ BOLT X 2	ITEM ⑥ WASHER X 2
145-0701-802	STAINLESS STEEL PASSIVATED	BRASS NICKEL PL.00007 MIN OVER COPPER STRIKE	BERYLLIUM COPPER GOLD PL. .00004 MIN(MATING END) /.00003 MIN(SOLDER END) OVER NICKEL PL.00005 MIN OVER COPPER PL.00005 MIN	ULTEM 1000 (MATING END) /TEFLON (SOLDER END)	STAINLESS STEEL	STAINLESS STEEL

REV	ECO	DATE
1	ECO-17-0010	4/10/2017

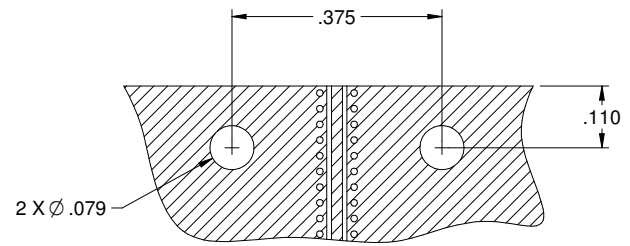


SPECIFICATION:

ELECTRICAL:
 IMPEDANCE: 50 OHMS
 FREQUENCY RANGE: 0-40 GHz
 VSWR: DEPENDANT ON APPLICATION
 WORKING VOLTAGE: 250 VRMS MAX AT SEA LEVEL
 DIELECTRIC WITHSTANDING VOLTAGE: 750 VRMS MIN AT SEA LEVEL
 INSULATION RESISTANCE: 5000 MEGOHM MIN
CONTACT RESISTANCE:
 CENTER CONTACT - INITIAL 3 MILLIOHM MAX, AFTER ENVIRONMENTAL NOT APPLICABLE
 OUTER CONDUCTOR - INITIAL 2 MILLIOHM MAX, AFTER ENVIRONMENTAL NOT APPLICABLE
 RF LEAKAGE: -90dB TYPICAL AT 2.5GHz

MECHANICAL:
 ENGAGEMENT/DISENGAGEMENT FORCE: 2 INCH-POUNDS MAX
 CONTACT RETENTION: 6 LBS MIN AXIAL FORCE
 MATING TORQUE: 7 TO 10 INCH-POUNDS
 DURABILITY: 500 CYCLES MIN

ENVIRONMENTAL:
 OPERATING TEMPERATUR: -40 TO 85°C
 THERMAL SHOCK: MIL-STD-202, METHOD 107, CONDITION B
 CORROSION: MIL-STD-202, METHOD 101, CONDITION B
 SHOCK: MIL-STD-202, METHOD 213, CONDITION I
 VIBRATION: MIL-STD-202, METHOD 204, CONDITION D
 MOISTURE RESISTANCE: MIL-STD-202, MEHTOD 106



RECOMMENDED PCB LAYOUT
 NOTE: THIS PATTERN IS FOR REFERENCE ONLY.
 PATTERN MAY VARY DEPENDING ON BOARD TYPE, SPECIFIC ELECTRICAL OR MECHANICAL REQUIREMENTS.

	SEE NOTE	Model No.	File:
	SEE NOTE	RoHS2 201185EU	END LAUNCH JACK SCREW-ON TYPE SMK(2.92mm)
SEE NOTE	XX +.02 ANX 1.008 ANGLES 45 DEG	Design No.	Rev
SEE NOTE	4/10/17	145-0701-802	1
SEE NOTE	DO NOT SCALE DRAWING	Sheet	1 of 1