



Chipsmall Limited consists of a professional team with an average of over 10 year of expertise in the distribution of electronic components. Based in Hongkong, we have already established firm and mutual-benefit business relationships with customers from,Europe,America and south Asia,supplying obsolete and hard-to-find components to meet their specific needs.

With the principle of “Quality Parts,Customers Priority,Honest Operation,and Considerate Service”,our business mainly focus on the distribution of electronic components. Line cards we deal with include Microchip,ALPS,ROHM,Xilinx,Pulse,ON,Everlight and Freescale. Main products comprise IC,Modules,Potentiometer,IC Socket,Relay,Connector.Our parts cover such applications as commercial,industrial, and automotives areas.

We are looking forward to setting up business relationship with you and hope to provide you with the best service and solution. Let us make a better world for our industry!



## Contact us

Tel: +86-755-8981 8866 Fax: +86-755-8427 6832

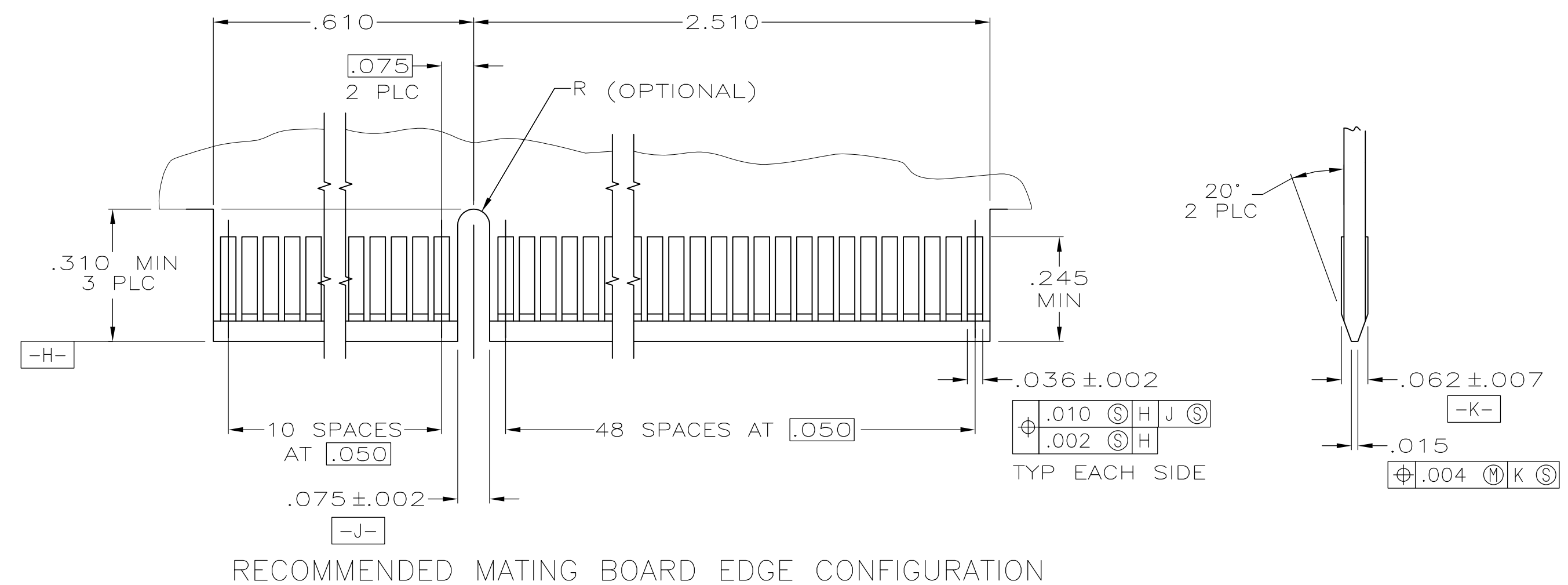
Email & Skype: info@chipsmall.com Web: www.chipsmall.com

Address: A1208, Overseas Decoration Building, #122 Zhenhua RD., Futian, Shenzhen, China

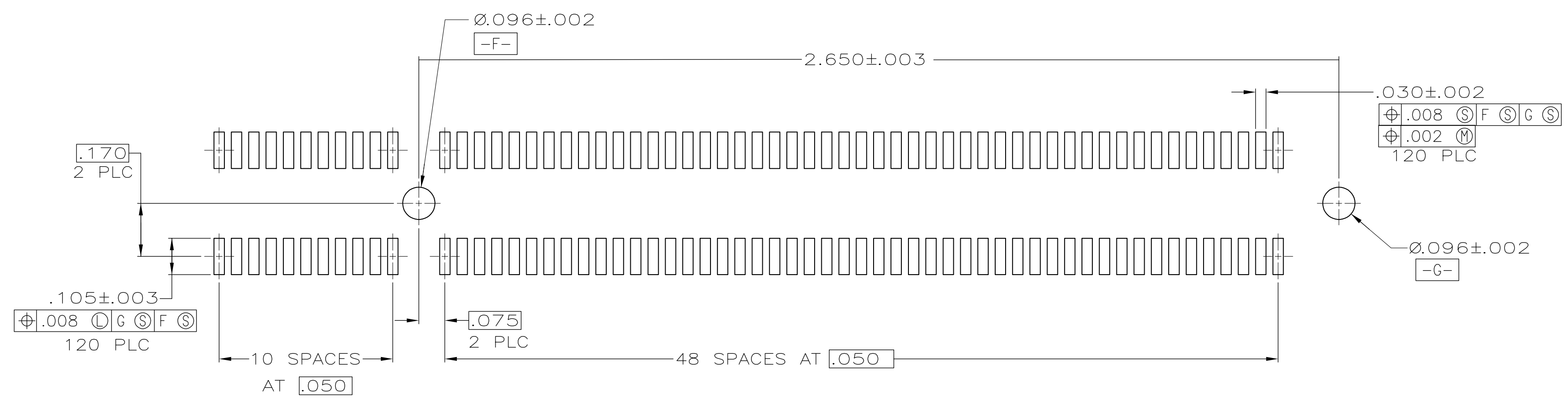




LOC	DIST	REVISIONS			
GP	00	P	LTR	DESCRIPTION	DATE
				SEE SHEET 1	



RECOMMENDED MATING BOARD EDGE CONFIGURATION



RECOMMENDED PC BOARD PATTERN  
(CONNECTOR SIDE SHOWN)

THIS DRAWING IS A CONTROLLED DOCUMENT.		OWN R BROWN	8/8/94	<b>STE</b> TE Connectivity
		CHK L SCHMID	8/8/94	
DIMENSIONS: mm(INCHES)		APVD L SCHMID	8/8/94	NAME CONNECTOR ASSEMBLY, 60 DUAL POSITION, .050 SERIES, STANDARD EDGE
TOLERANCES UNLESS OTHERWISE SPECIFIED:		PRODUCT SPEC		
0 PLC	± .01	108-14034		SIZE CAGE CODE DRAWING NO A1 00779 C-145098
1 PLC	± .01	APPLICATION SPEC		
2 PLC	± .01			RESTRICTED TO —
3 PLC	± .005			
4 PLC	± .005			SCALE 4:1 SHEET 2 OF 2 REV F1
ANGLES	± 2°			
MATERIAL	—	WEIGHT	—	
FINISH	—	CUSTOMER DRAWING		