



Chipsmall Limited consists of a professional team with an average of over 10 year of expertise in the distribution of electronic components. Based in Hongkong, we have already established firm and mutual-benefit business relationships with customers from,Europe,America and south Asia,supplying obsolete and hard-to-find components to meet their specific needs.

With the principle of “Quality Parts,Customers Priority,Honest Operation,and Considerate Service”,our business mainly focus on the distribution of electronic components. Line cards we deal with include Microchip,ALPS,ROHM,Xilinx,Pulse,ON,Everlight and Freescale. Main products comprise IC,Modules,Potentiometer,IC Socket,Relay,Connector.Our parts cover such applications as commercial,industrial, and automotives areas.

We are looking forward to setting up business relationship with you and hope to provide you with the best service and solution. Let us make a better world for our industry!



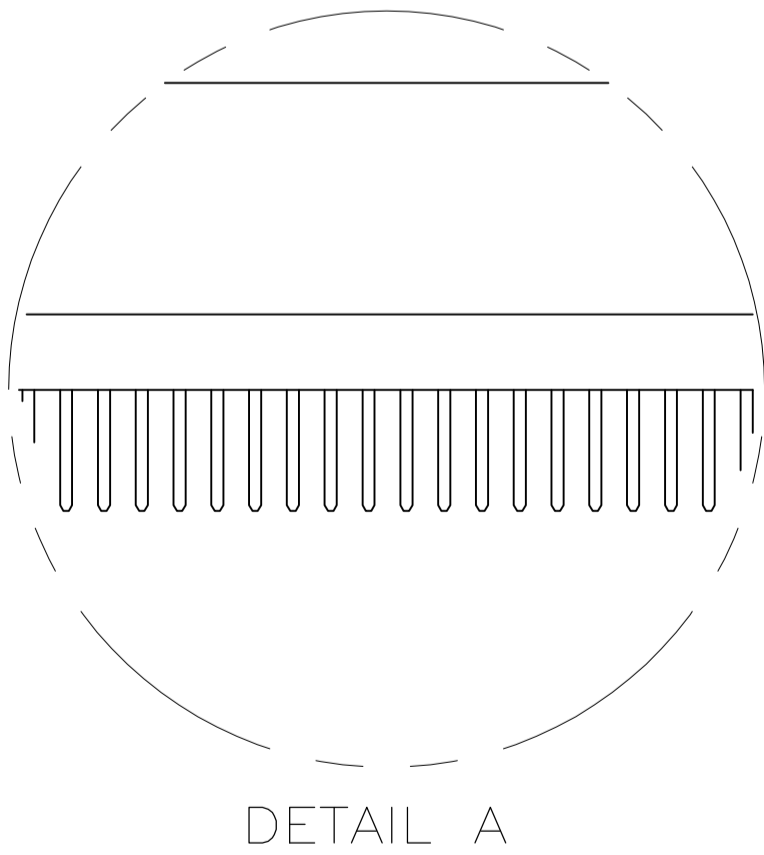
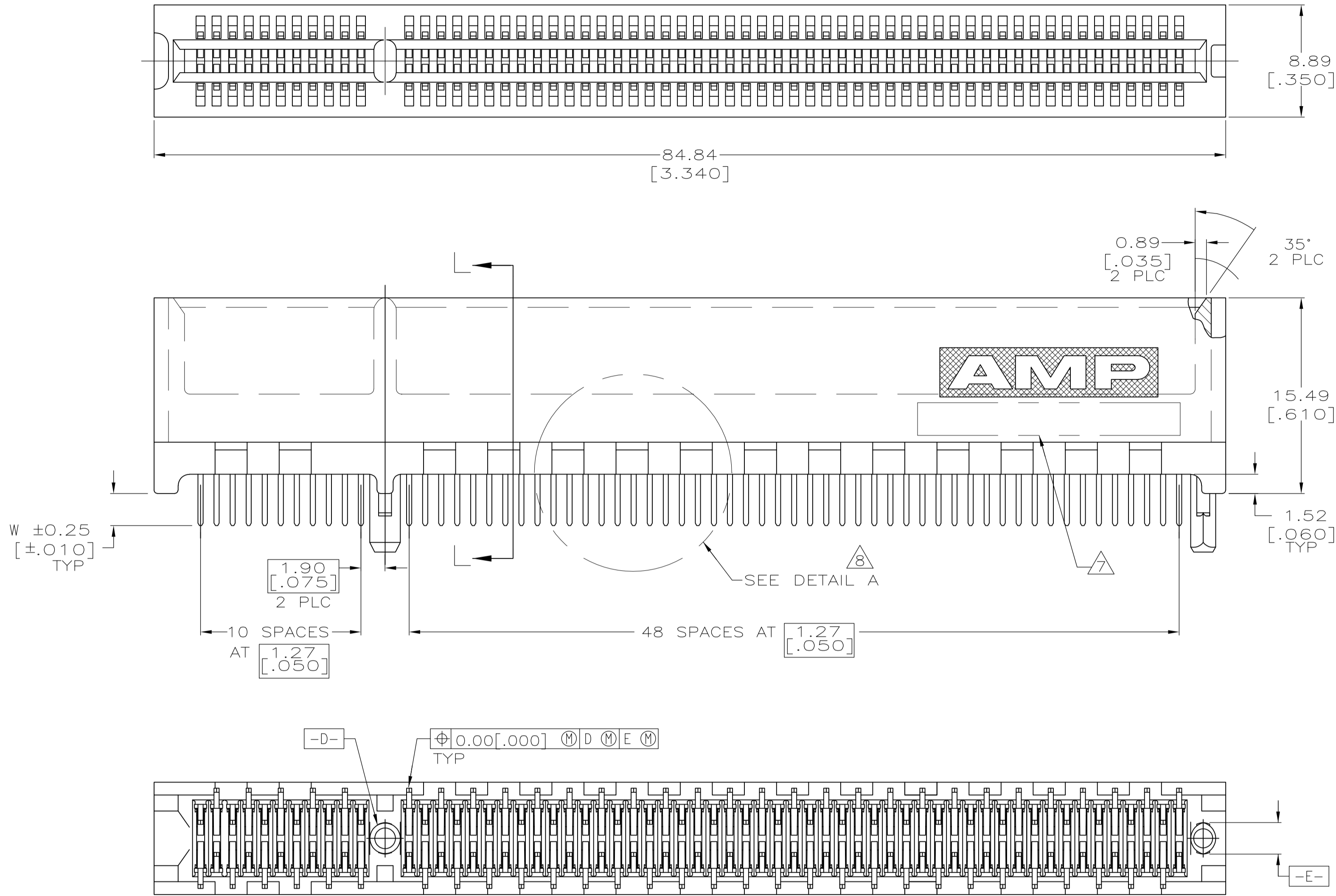
Contact us

Tel: +86-755-8981 8866 Fax: +86-755-8427 6832

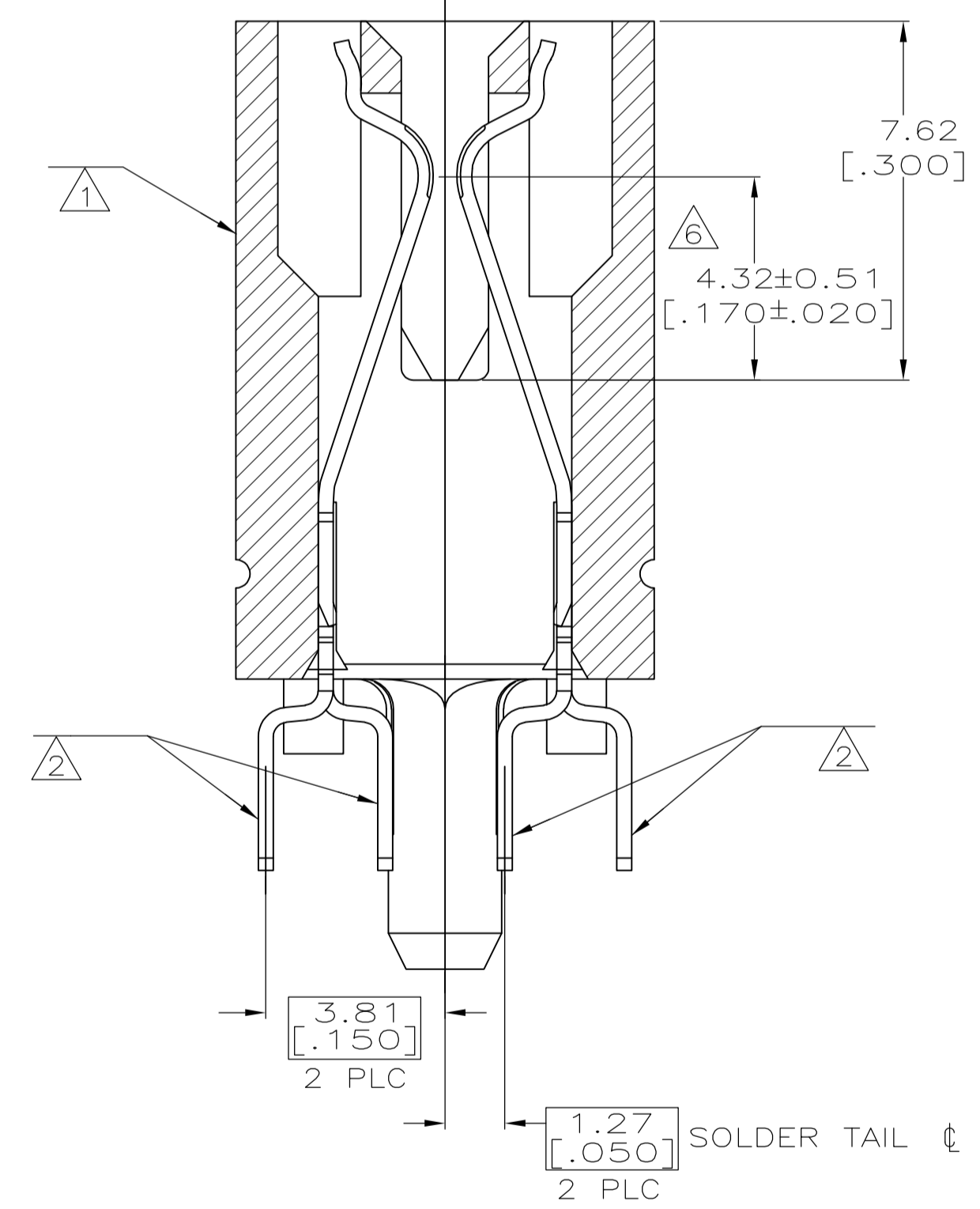
Email & Skype: info@chipsmall.com Web: www.chipsmall.com

Address: A1208, Overseas Decoration Building, #122 Zhenhua RD., Futian, Shenzhen, China





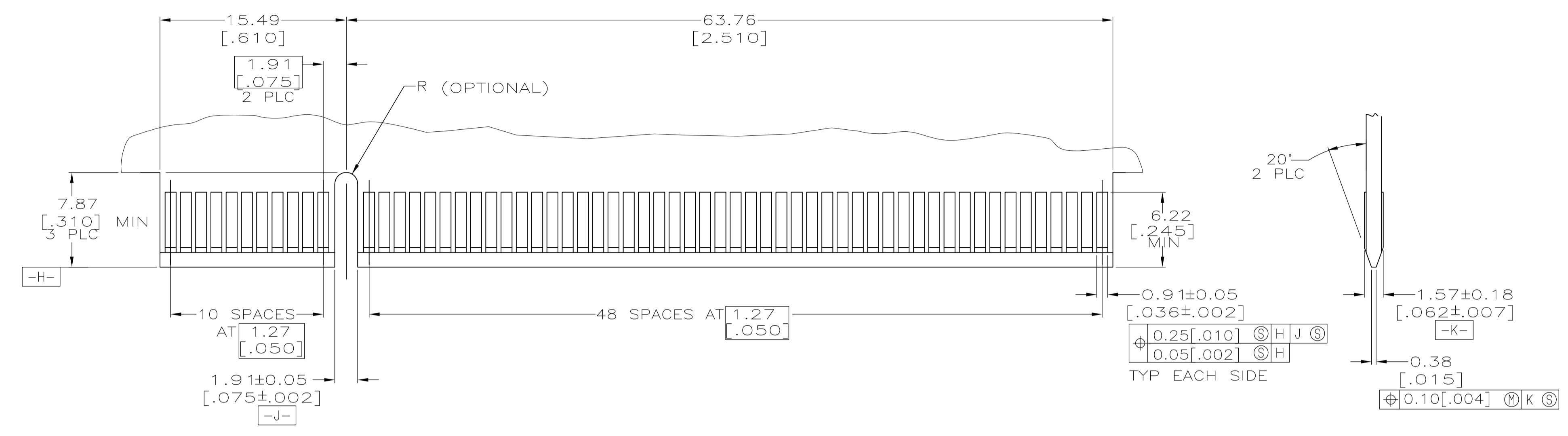
- 1 HOUSING: HIGH TEMPERATURE THERMOPLASTIC. COLOR - NATURAL
- 2 CONTACT: PHOSPHOR BRONZE.
- 3 CONTACT FINISH: .001269 [.000050] MIN NICKEL ALL OVER. GOLD FLASH OVER NICKEL IN CONTACT AREA. .002537 [.000100] MIN TIN-LEAD OVER NICKEL ON SOLDER TAILS.
- 4 CONTACT FINISH: .001269 [.000050] MIN NICKEL ALL OVER. .000375 [.000015] MIN GOLD OVER NICKEL IN CONTACT AREA. .002537 [.000100] MIN TIN-LEAD OVER NICKEL ON SOLDER TAILS.
- 5 CONTACT FINISH: .001269 [.000050] MIN NICKEL ALL OVER. .000757 [.000030] MIN GOLD OVER NICKEL IN CONTACT AREA. .002537 [.000100] MIN TIN-LEAD OVER NICKEL ON SOLDER TAILS.
- 6 DISTANCE FROM CONTACT POINT TO BOTTOM OF CARD SLOT.
- 7 AMP PART NUMBER, DATE CODE AND CSA LOGO SHOULD BE MARKED ON THE SIDE OF THE HOUSING NEAR THE AMP LOGO.
- 8 CORED OR SOLID SIDE WALLS ARE AT DISCRETION OF AMP INCORPORATED.



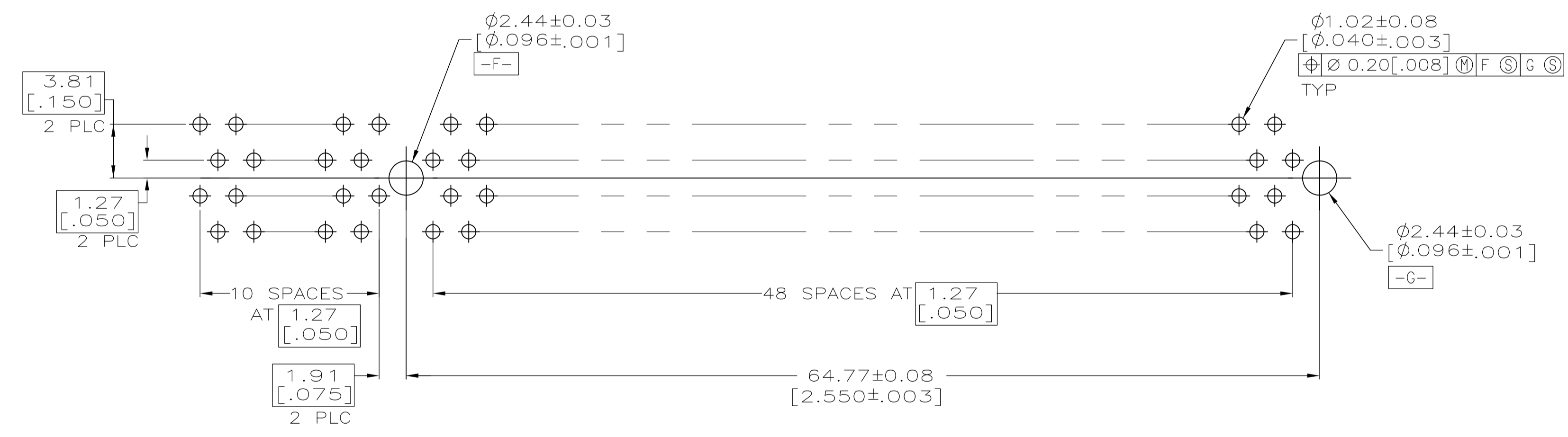
SUPERSEDED BY 145154-4
OBSOLETE

3.56 [.140]	1-145154-2	
3.18 [.125]	145154-8	
2.54 [.100]	145154-4	
2.54 [.100]	145154-3	
2.54 [.100]	145154-2	
2.54 [.100]	145154-1	
W	FINISH	PART NUMBER

THIS DRAWING IS A CONTROLLED DOCUMENT.		DMN R BROWN 6/9/95	APVD	
DIMENSIONS: mm		CHK M BOWERS 6/9/95	NAME	
TOLERANCES UNLESS OTHERWISE SPECIFIED:		PRODUCT SPEC	CONNECTOR ASSEMBLY, 60 DUAL POSITION, 1.27 [.050] SERIES.	
0 PLC ± -		108-14034	RESTRICTED TO	
1 PLC ± -		APPLICATION SPEC	SIZE	
2 PLC ± 0.25 [.01]		114-26012	CAGE CODE	
3 PLC ± 0.127 [.005]		WEIGHT	DRAWING NO	
4 PLC ± -		—	A1 00779	
ANGLES ± -		CUSTOMER DRAWING	SCALE 4:1 SHEET 1 OF 2 REV G1	



RECOMMENDED MATING BOARD EDGE CONFIGURATION



RECOMMENDED CONNECTOR MOUNTING HOLE PATTERN (CONNECTOR SIDE SHOWN)

THIS DRAWING IS A CONTROLLED DOCUMENT.		DRN R BROWN 6/9/95	TE Connectivity NAME PRODUCT SPEC 108-14034 APPLICATION SPEC 114-26012 WEIGHT -	SIZE A1 SCALE 4:1 SHEET 2 OF 2 REV G1
DIMENSIONS: mm		CHK M BOWERS 6/9/95		
DIMENSIONS: mm 0 PLC ± - 1 PLC ± - 2 PLC ± 0.25 [.01] 3 PLC ± 0.127 [.005] 4 PLC ± - ± * ANGLES ± - ± *		APVD - - - -	RESTRICTED TO - CUSTOMER DRAWING	