



Chipsmall Limited consists of a professional team with an average of over 10 year of expertise in the distribution of electronic components. Based in Hongkong, we have already established firm and mutual-benefit business relationships with customers from,Europe,America and south Asia,supplying obsolete and hard-to-find components to meet their specific needs.

With the principle of “Quality Parts,Customers Priority,Honest Operation,and Considerate Service”,our business mainly focus on the distribution of electronic components. Line cards we deal with include Microchip,ALPS,ROHM,Xilinx,Pulse,ON,Everlight and Freescale. Main products comprise IC,Modules,Potentiometer,IC Socket,Relay,Connector.Our parts cover such applications as commercial,industrial, and automotives areas.

We are looking forward to setting up business relationship with you and hope to provide you with the best service and solution. Let us make a better world for our industry!



## Contact us

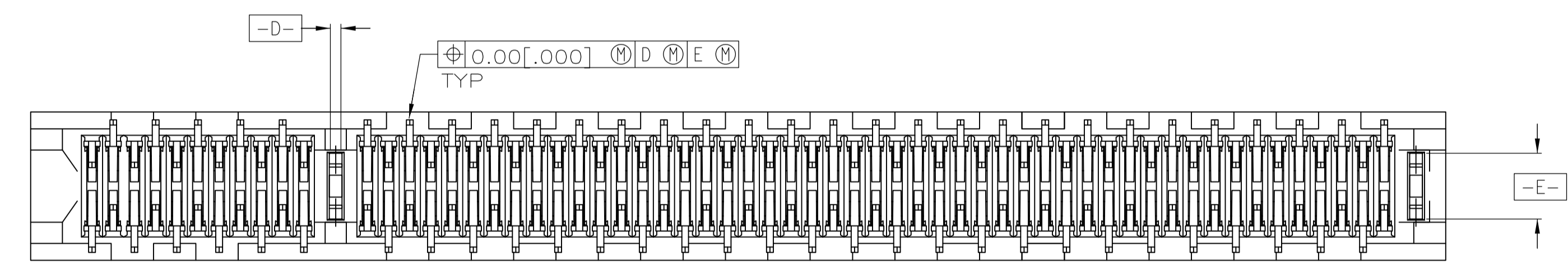
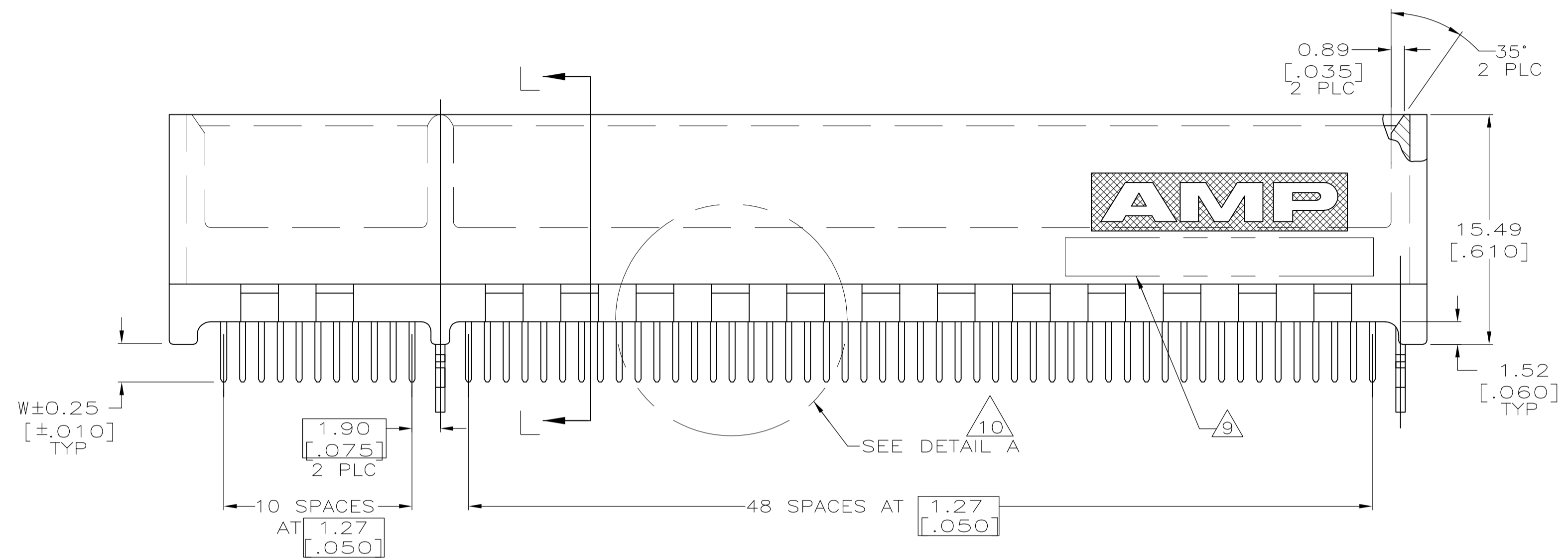
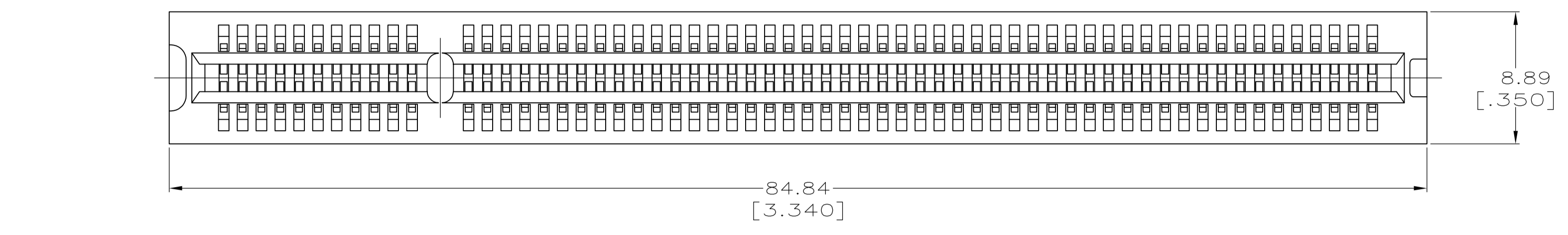
Tel: +86-755-8981 8866 Fax: +86-755-8427 6832

Email & Skype: info@chipsmall.com Web: www.chipsmall.com

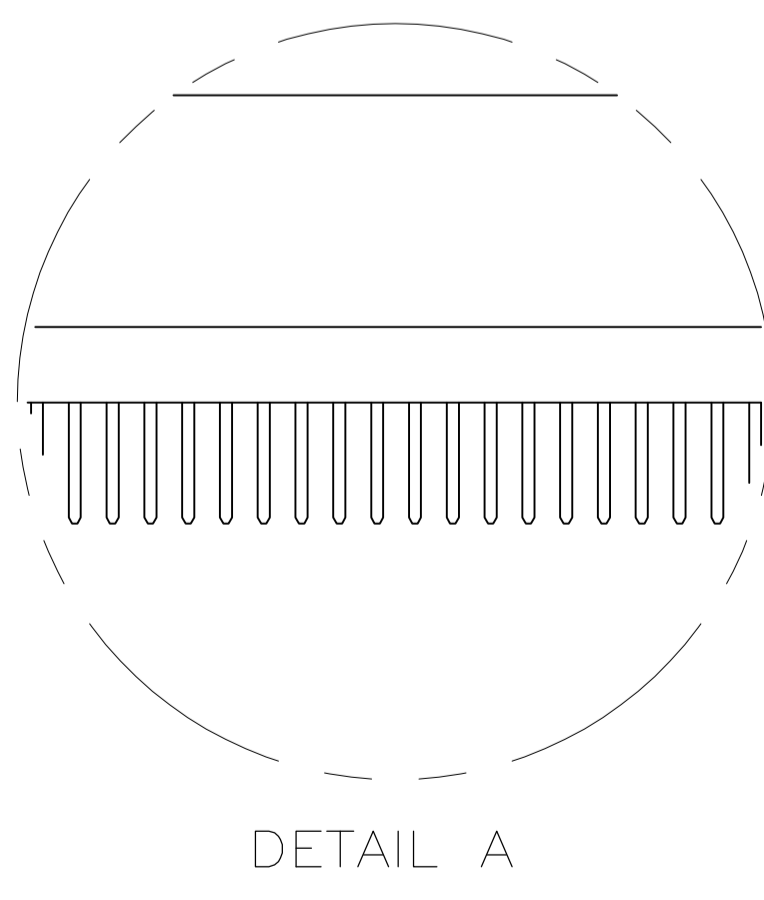
Address: A1208, Overseas Decoration Building, #122 Zhenhua RD., Futian, Shenzhen, China



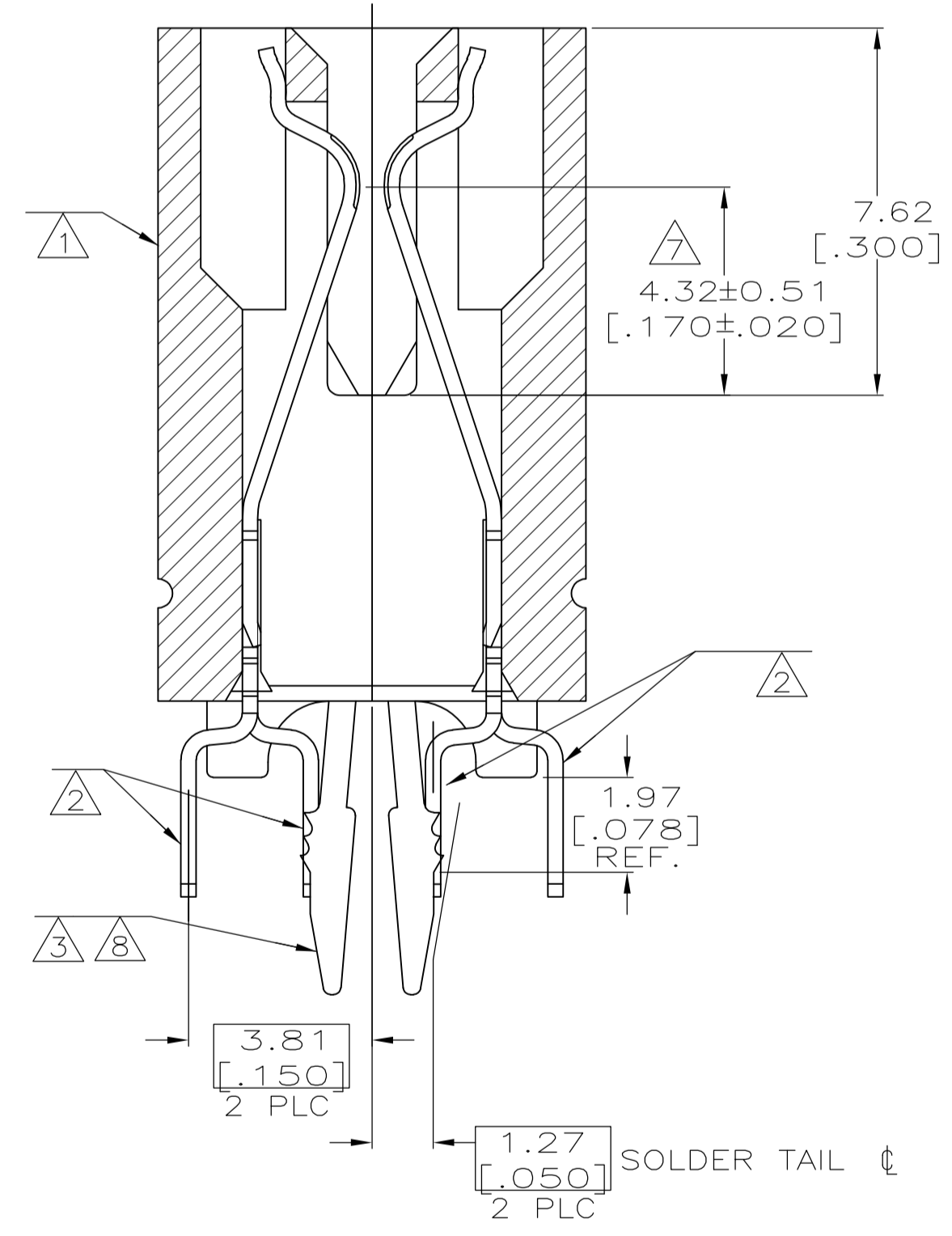
LOC		DIST		REVISIONS			
P	LTR	DESCRIPTION	DATE	DMN	APVD		
H		ECO-06-010778	12AUG06	LAM	AWF		
H1		REVISED PER ECO-09-021826	11SEP09	KK	AEG		



SEE SHEET 2 FOR HOLE PATTERN



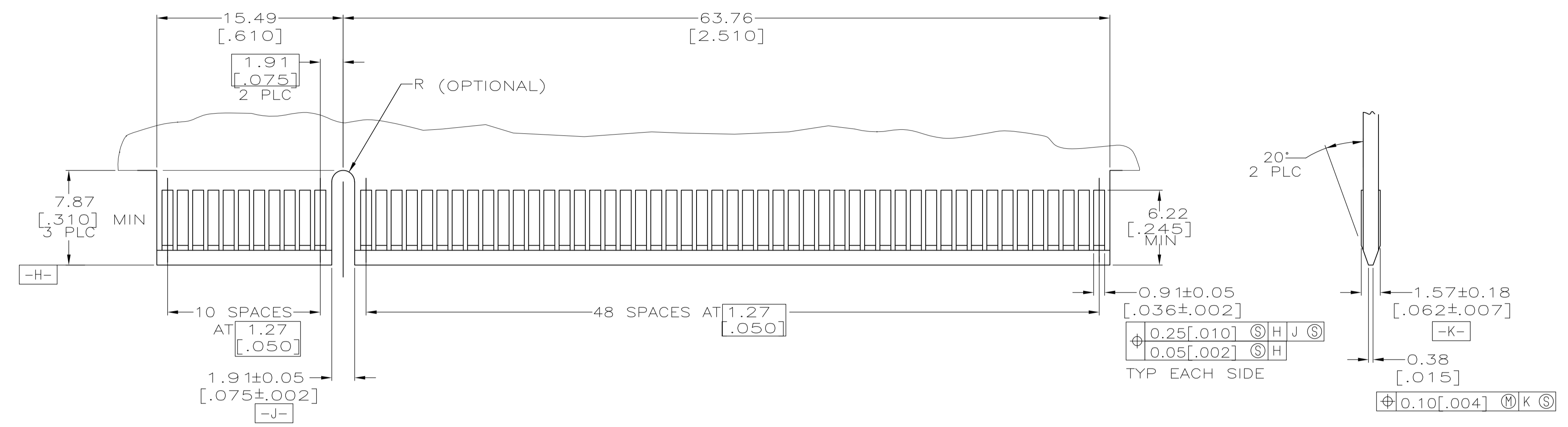
- 1 HOUSING: HIGH TEMPERATURE THERMOPLASTIC. COLOR - NATURAL
- 2 CONTACT: PHOSPHOR BRONZE.
- 3 METAL HOLD DOWN: BRASS
- 4 CONTACT FINISH: .001269[.000050] MIN NICKEL ALL OVER. GOLD FLASH OVER NICKEL IN CONTACT AREA. .002537[.000100] MIN TIN-LEAD OVER NICKEL ON SOLDER TAILS.
- 5 CONTACT FINISH: .001269[.000050] MIN NICKEL ALL OVER. .000375[.000015] GOLD OVER NICKEL IN CONTACT AREA. .002537[.000100] MIN TIN-LEAD OVER NICKEL ON SOLDER TAILS.
- 6 CONTACT FINISH: .001269[.000050] MIN NICKEL ALL OVER. .000757[.000030] GOLD OVER NICKEL IN CONTACT AREA. .002537[.000100] MIN TIN-LEAD OVER NICKEL ON SOLDER TAILS.
- 7 DISTANCE FROM CONTACT POINT TO BOTTOM OF CARD SLOT.
- 8 METAL HOLD DOWN FINISH: .001269[.000050] MIN NICKEL ALL OVER. .003809[.000150] MIN TIN-LEAD ALL OVER.
- 9 AMP PART NUMBER, DATE CODE AND CSA LOGO MARKED IN APPROXIMATE LOCATION SHOWN.
- 10 CORED OR SOLID SIDE WALLS ARE AT DISCRETION OF AMP INCORPORATED.
- 11 OBSOLETE PARTS: OBSOLETE CIS STREAMLINING PER D.RENAUD/D.SINISI



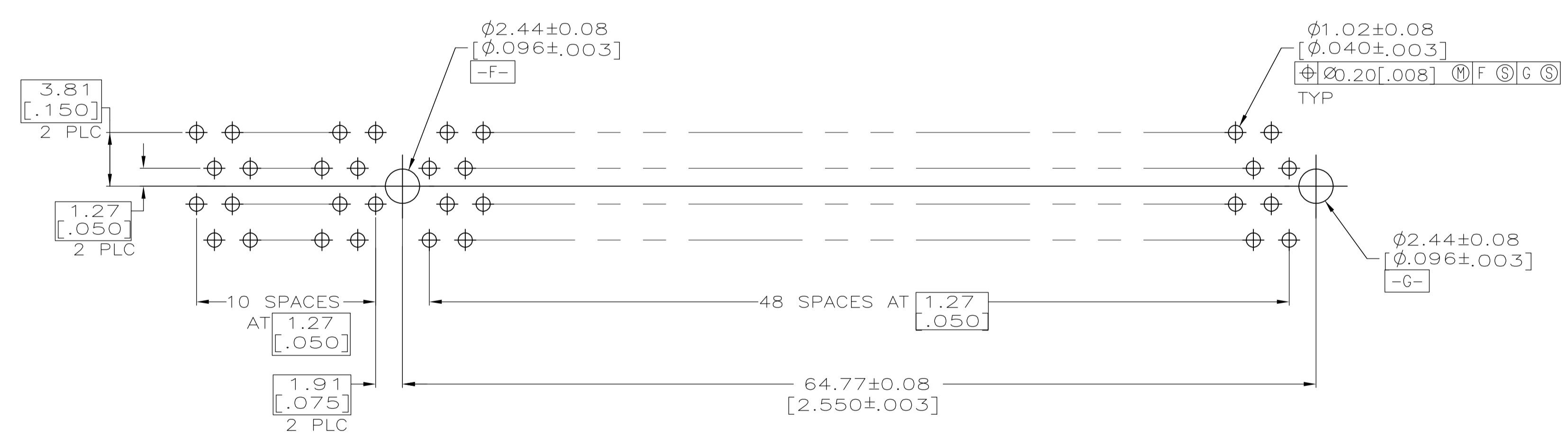
SECTION L-L  
SCALE 8:1

OBSOLETE	4.70 [.185]	1-145167-3
	3.56 [.140]	1-145167-2
SUPERSEDED BY 5145167-8	3.18 [.125]	-145167-8
	2.54 [.100]	145167-4
OBSOLETE	2.54 [.100]	145167-3
OBSOLETE	2.54 [.100]	145167-2
	2.54 [.100]	145167-1
	W	FINISH
		PART NUMBER

THIS DRAWING IS A CONTROLLED DOCUMENT.		DIN R BROWN 6/9/95	Tyco Electronics Corporation Harrisburg, Pa 17105-3608
DIMENSIONS: mm		CHK M BOWERS 6/9/95	
TOLERANCES UNLESS OTHERWISE SPECIFIED:		APVD	NAME CONNECTOR ASSEMBLY, 60 DUAL POSITION, 1.27 [.050] SERIES, STANDARD EDGE
0 PLC ± -		PRODUCT SPEC 108-14034	
1 PLC ± -		APPLICATION SPEC 114-26012	SIZE A1
2 PLC ± 0.25 [.01]		WEIGHT	SCALE 4:1
3 PLC ± 0.127 [.005]		CUSTOMER DRAWING	SHEET 1 OF 2
4 PLC ± -		RESTRICTED TO	REV H1
ANGLES ± α			
MATERIAL			
FINISH			



RECOMMENDED MATING BOARD EDGE CONFIGURATION



RECOMMENDED CONNECTOR MOUNTING HOLE PATTERN  
(CONNECTOR SIDE SHOWN)

THIS DRAWING IS A CONTROLLED DOCUMENT.		DN R BROWN 6/9/95		Tyco Electronics Corporation Harrisburg, Pa 17105-3608
DIMENSIONS: mm		CHK M BOWERS 6/9/95		NAME CONNECTOR ASSEMBLY, 60 DUAL POSITION, 108-14034 1.27 [.050] SERIES, STANDARD EDGE
TOLERANCES UNLESS OTHERWISE SPECIFIED:		APVD	PRODUCT SPEC 108-14034	RESTRICTED TO
0 PLC ± - 1 PLC ± - 2 PLC ± 0.25 [.01] 3 PLC ± 0.127 [.005] 4 PLC ± - ± ° ANGLES ± - ± °		APPLICATION SPEC 114-26012	SIZE A1	DRAWING NO 00779
MATERIAL SEE SHEET 1	FINISH SEE SHEET 1	WEIGHT -	SCALE 4:1	SHEET 2 OF 2
CUSTOMER DRAWING		DRAWING NO 145167		REV H1