



Chipsmall Limited consists of a professional team with an average of over 10 year of expertise in the distribution of electronic components. Based in Hongkong, we have already established firm and mutual-benefit business relationships with customers from,Europe,America and south Asia,supplying obsolete and hard-to-find components to meet their specific needs.

With the principle of "Quality Parts,Customers Priority,Honest Operation,and Considerate Service",our business mainly focus on the distribution of electronic components. Line cards we deal with include Microchip,ALPS,ROHM,Xilinx,Pulse,ON,Everlight and Freescale. Main products comprise IC,Modules,Potentiometer,IC Socket,Relay,Connector.Our parts cover such applications as commercial,industrial, and automotives areas.

We are looking forward to setting up business relationship with you and hope to provide you with the best service and solution. Let us make a better world for our industry!



Contact us

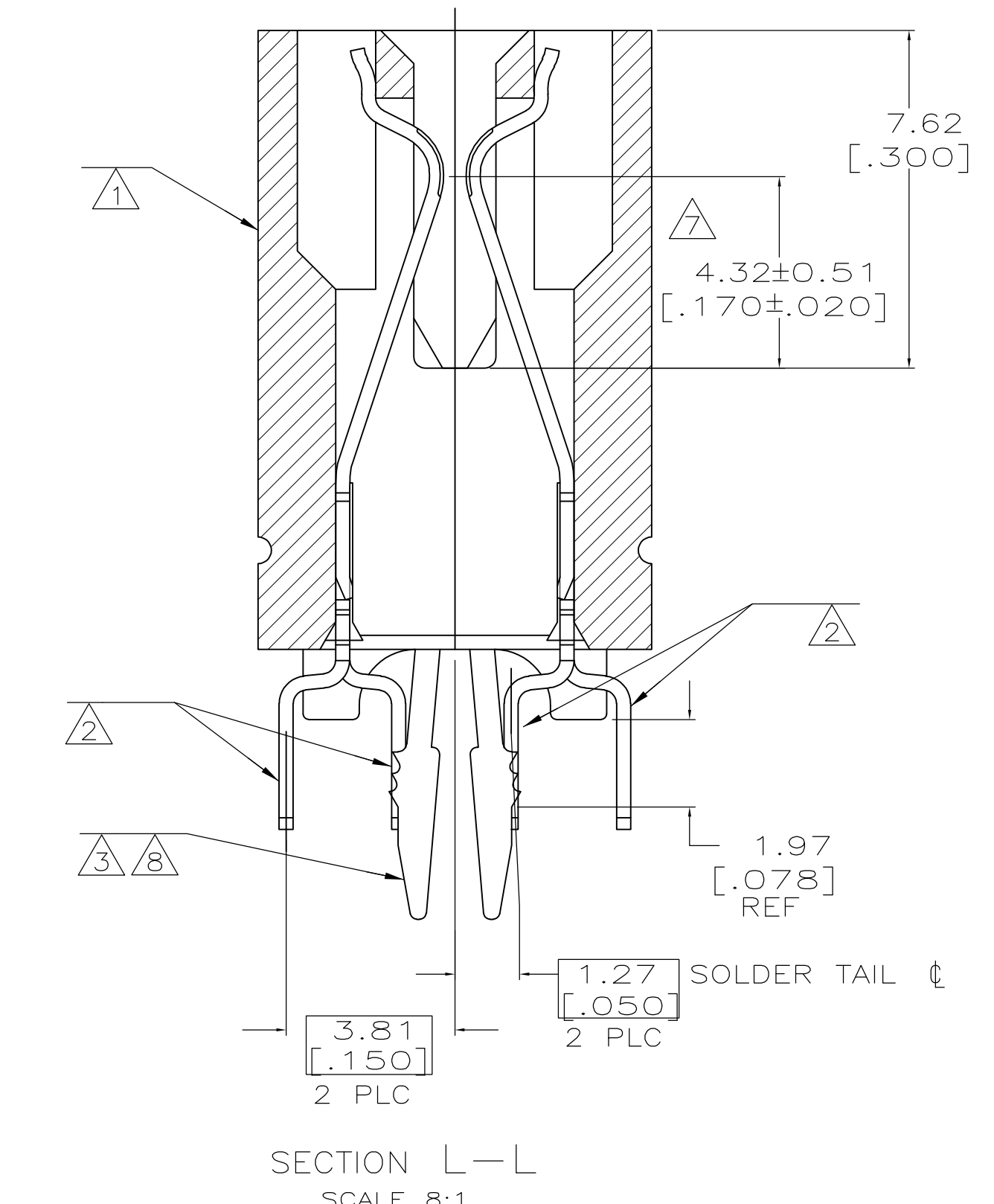
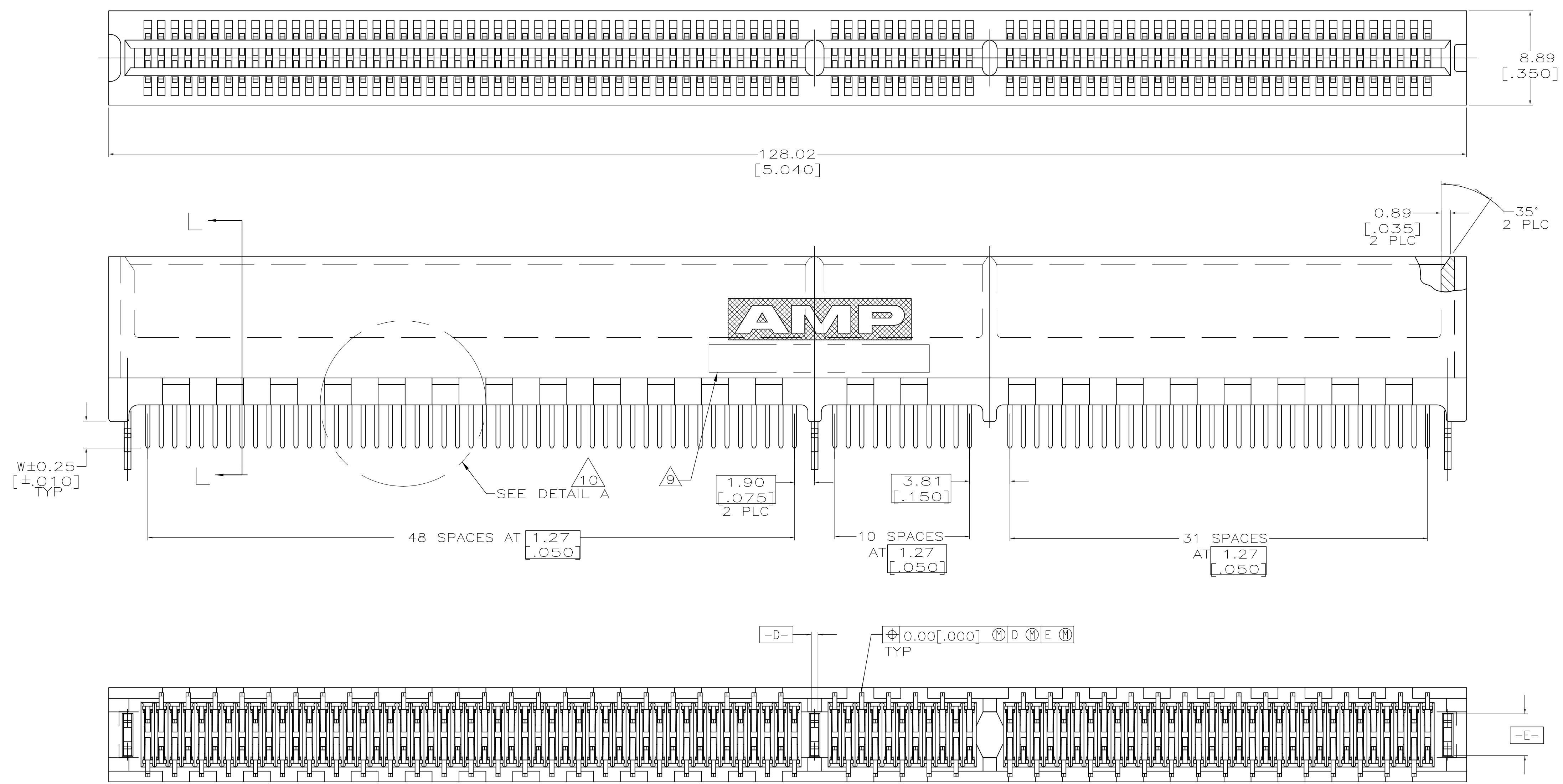
Tel: +86-755-8981 8866 Fax: +86-755-8427 6832

Email & Skype: info@chipsmall.com Web: www.chipsmall.com

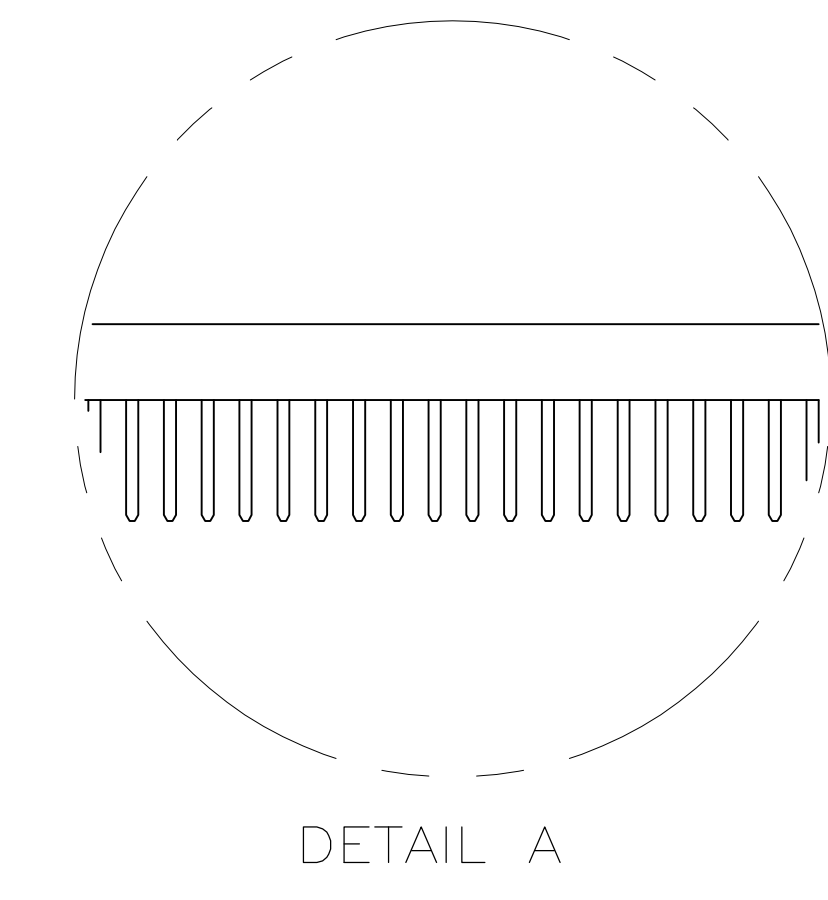
Address: A1208, Overseas Decoration Building, #122 Zhenhua RD., Futian, Shenzhen, China



LOC	DIST	REVISIONS			
F	LTR	DESCRIPTION	DATE	DMN	APVD
H		ECO-06-010778	12AUG06	LAM	AWF
H1		REVISED PER ECO-09-021826	11SEP09	KK	AEG



SEE SHEET 2 FOR HOLE PATTERN



- 1 HOUSING: HIGH TEMPERATURE THERMOPLASTIC. COLOR - NATURAL
- 2 CONTACT: PHOSPHOR BRONZE.
- 3 METAL HOLD DOWN: BRASS
- 4 CONTACT FINISH: .001269[.000050] MIN NICKEL ALL OVER. GOLD FLASH OVER NICKEL IN CONTACT AREA. .002537[.000100] MIN TIN-LEAD OVER NICKEL ON SOLDER TAILS.
- 5 CONTACT FINISH: .001269[.000050] MIN NICKEL ALL OVER. .000375[.000015] GOLD OVER NICKEL IN CONTACT AREA. .002537[.000100] MIN TIN-LEAD OVER NICKEL ON SOLDER TAILS.
- 6 CONTACT FINISH: .001269[.000050] MIN NICKEL ALL OVER. .000757[.000030] GOLD OVER NICKEL IN CONTACT AREA. .002537[.000100] MIN TIN-LEAD OVER NICKEL ON SOLDER TAILS.
- 7 DISTANCE FROM CONTACT POINT TO BOTTOM OF CARD SLOT.
- 8 METAL HOLD DOWN FINISH: .001269[.000050] MIN NICKEL ALL OVER, .003809[.000150] MIN TIN-LEAD ALL OVER.
- 9 AMP PART NUMBER, DATE CODE AND CSA LOGO MARKED IN APPROXIMATE LOCATION SHOWN.
- 10 CORED OR SOLID SIDE WALLS ARE AT DISCRETION OF AMP INCORPORATED.
- 11 OBSOLETE PARTS: OBSOLETE CIS STREAMLINING PER D.RENAUD/D.SINISI

REV	DESCRIPTION	DATE	BY	CHK	APPV
1	1-145169-2				
2	145169-8				
3	145169-4				
4	145169-3				
5	145169-2				
6	145169-1				

THIS DRAWING IS A CONTROLLED DOCUMENT.

BY: R. BROWN 6/12/95
 CHK: M. BOWERS 6/12/95
 NAME: M. BOWERS

APVD: [Signature]

TYCO ELECTRONICS

Tyco Electronics Corporation
 Harrisburg, Pa 17105-3608

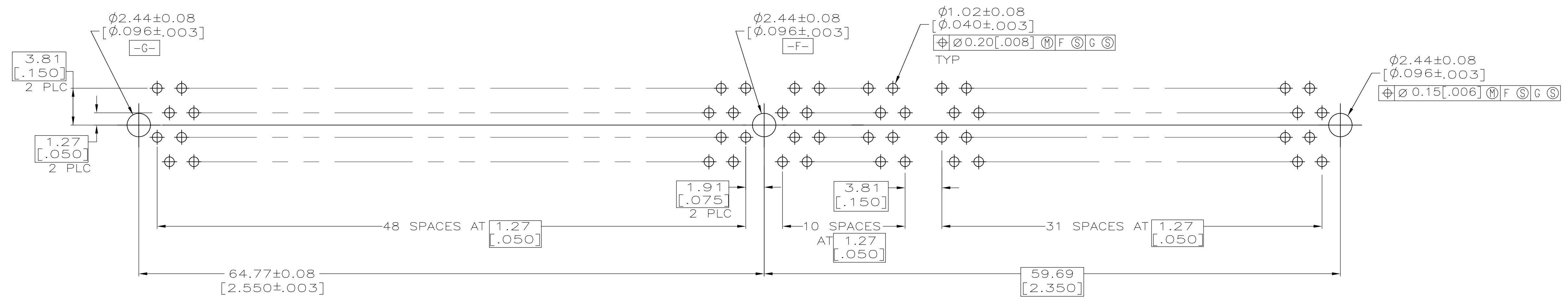
PRODUCT SPEC: 108-14034
 APPLICATION SPEC: 114-26012

SIZE: A1
 CAGE CODE: 00779
 DRAWING NO: 145169

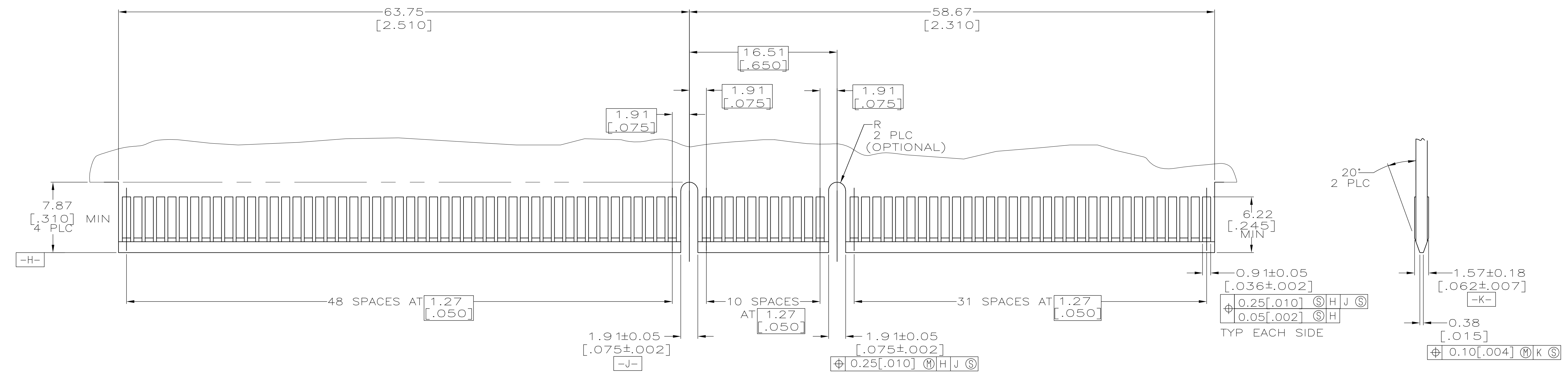
RESTRICTED TO: [Blank]

CUSTOMER DRAWING

SCALE: 4:1 SHEET 1 OF 2 REV H1



RECOMMENDED CONNECTOR MOUNTING HOLE PATTERN
(CONNECTOR SIDE SHOWN)



RECOMMENDED MATING BOARD EDGE CONFIGURATION

THIS DRAWING IS A CONTROLLED DOCUMENT.		DIN	R BROWN	6/12/95	Tyco Electronics Corporation Harrisburg, Pa 17105-3608
DIMENSIONS: mm		CHK	M BOWERS	6/12/95	
DIMENSIONS: mm 0 PLC ± - 1 PLC ± - 2 PLC ± .01 3 PLC ± .005 4 PLC ± - ± 2° ANGLES ± - ± 2°		TOLERANCES UNLESS OTHERWISE SPECIFIED: FINISH SEE SHEET 1		APVD PRODUCT SPEC 108-14034 APPLICATION SPEC 114-26012 WEIGHT - CUSTOMER DRAWING	NAME CONNECTOR ASSEMBLY, 92 DUAL POSITION, .050 SERIES, STANDARD EDGE SIZE CAGE CODE DRAWING NO A1 00779 C=145169 RESTRICTED TO SCALE 4:1 SHEET 2 OF 2 REV H1