



Chipsmall Limited consists of a professional team with an average of over 10 year of expertise in the distribution of electronic components. Based in Hongkong, we have already established firm and mutual-benefit business relationships with customers from,Europe,America and south Asia,supplying obsolete and hard-to-find components to meet their specific needs.

With the principle of “Quality Parts,Customers Priority,Honest Operation,and Considerate Service”,our business mainly focus on the distribution of electronic components. Line cards we deal with include Microchip,ALPS,ROHM,Xilinx,Pulse,ON,Everlight and Freescale. Main products comprise IC,Modules,Potentiometer,IC Socket,Relay,Connector.Our parts cover such applications as commercial,industrial, and automotives areas.

We are looking forward to setting up business relationship with you and hope to provide you with the best service and solution. Let us make a better world for our industry!



Contact us

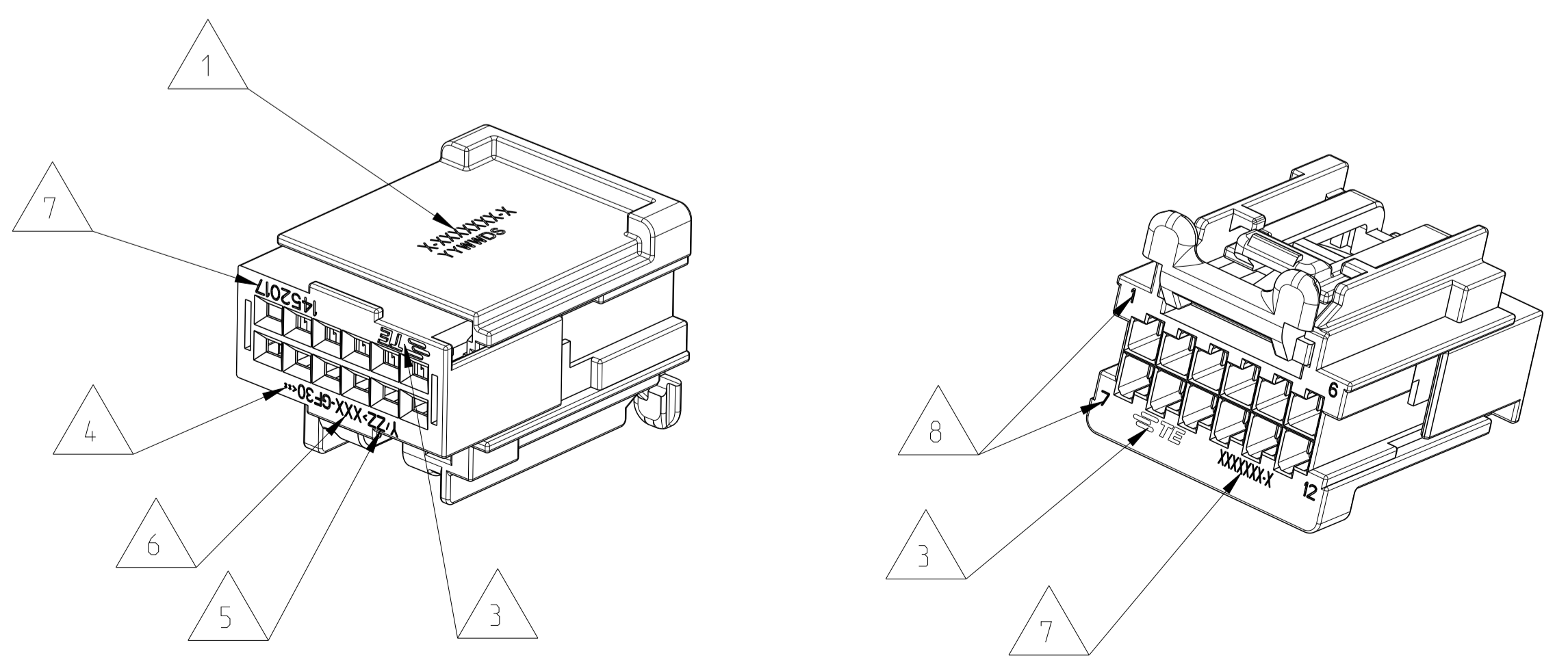
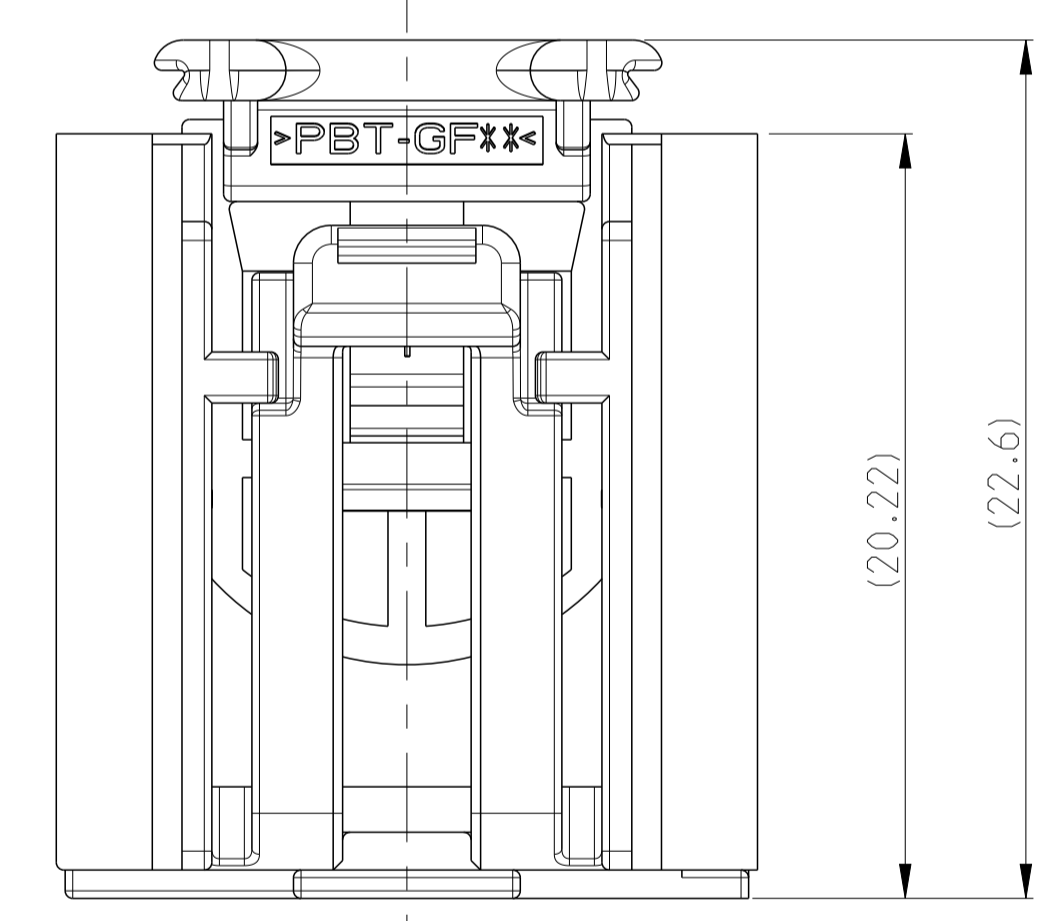
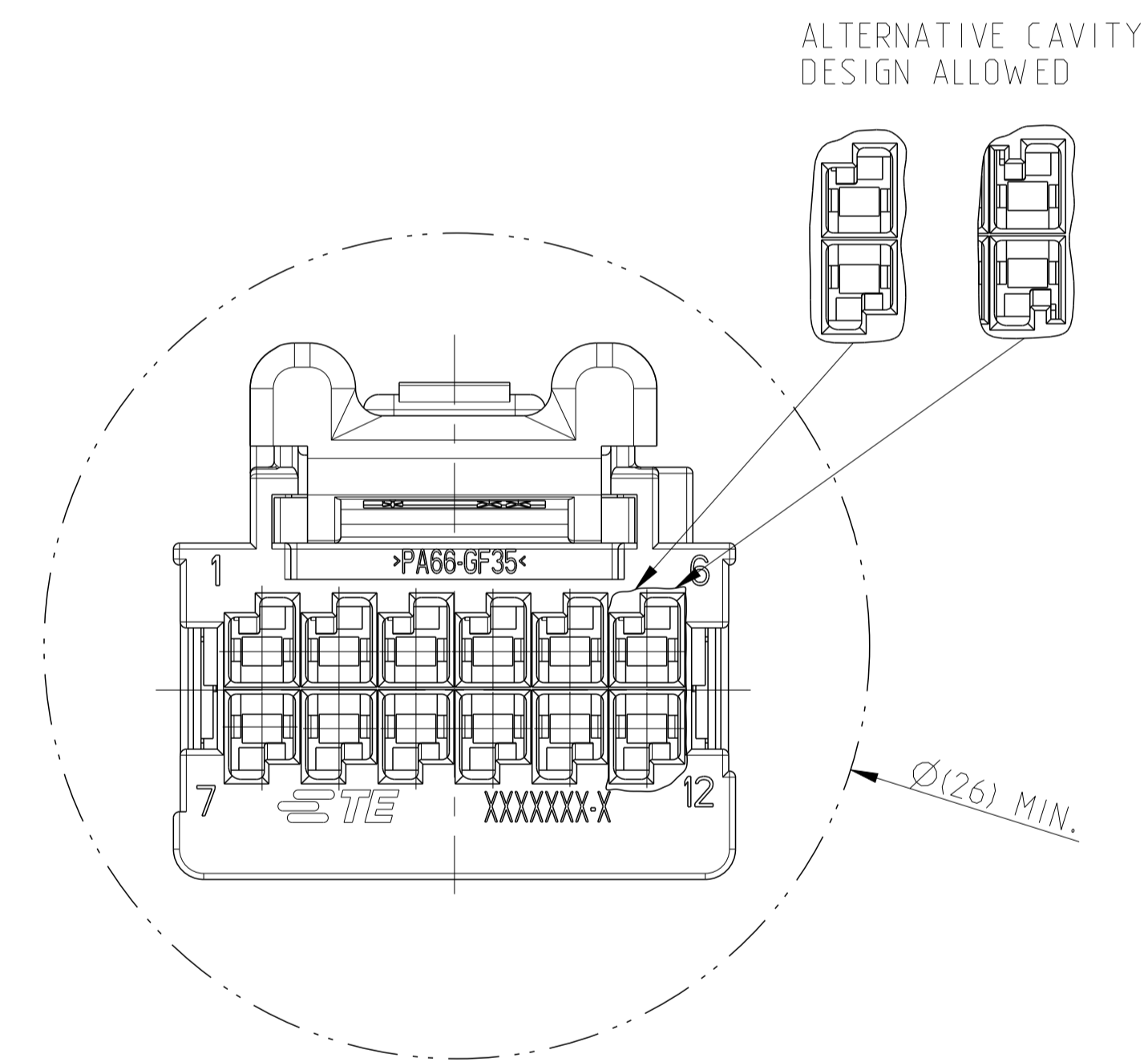
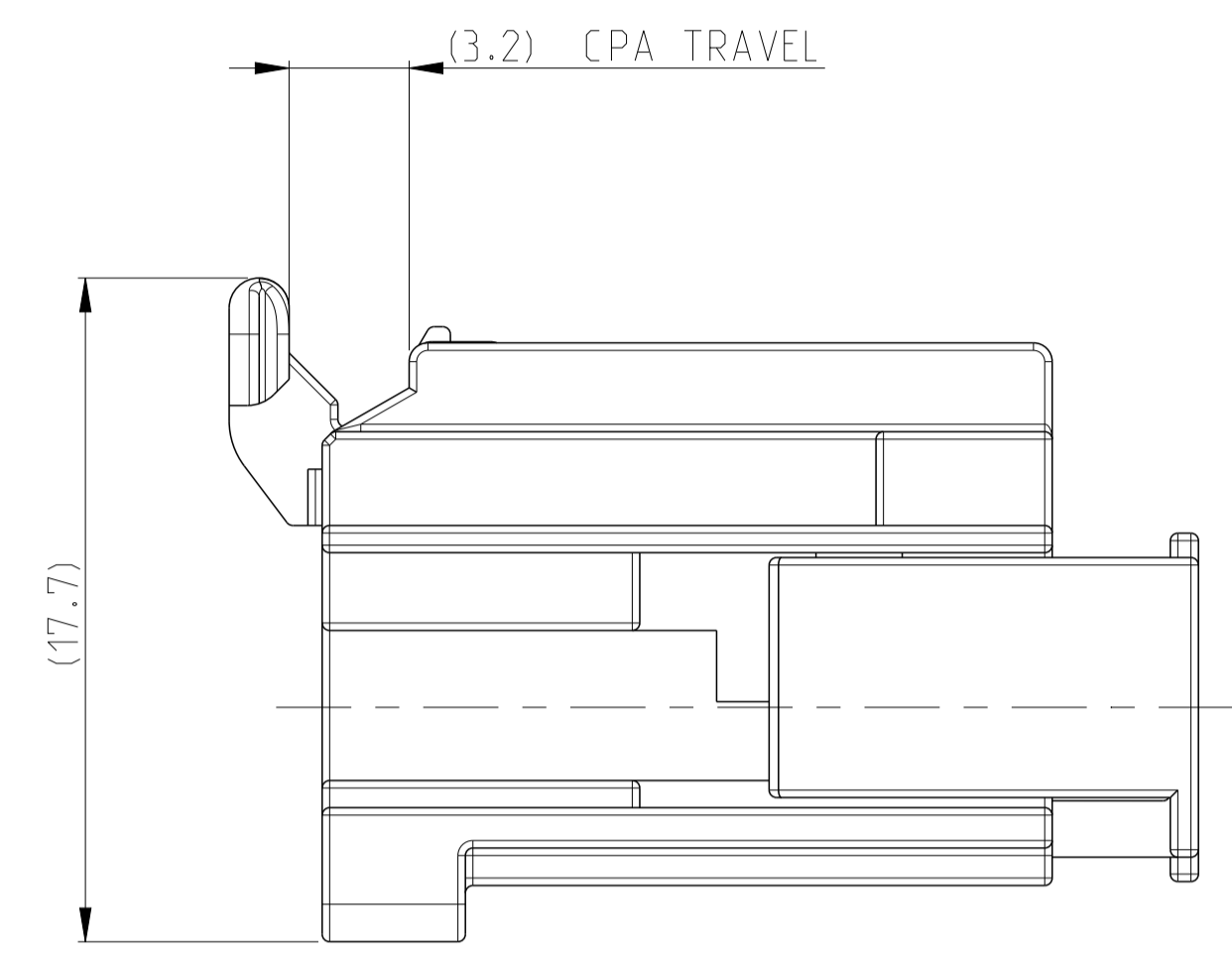
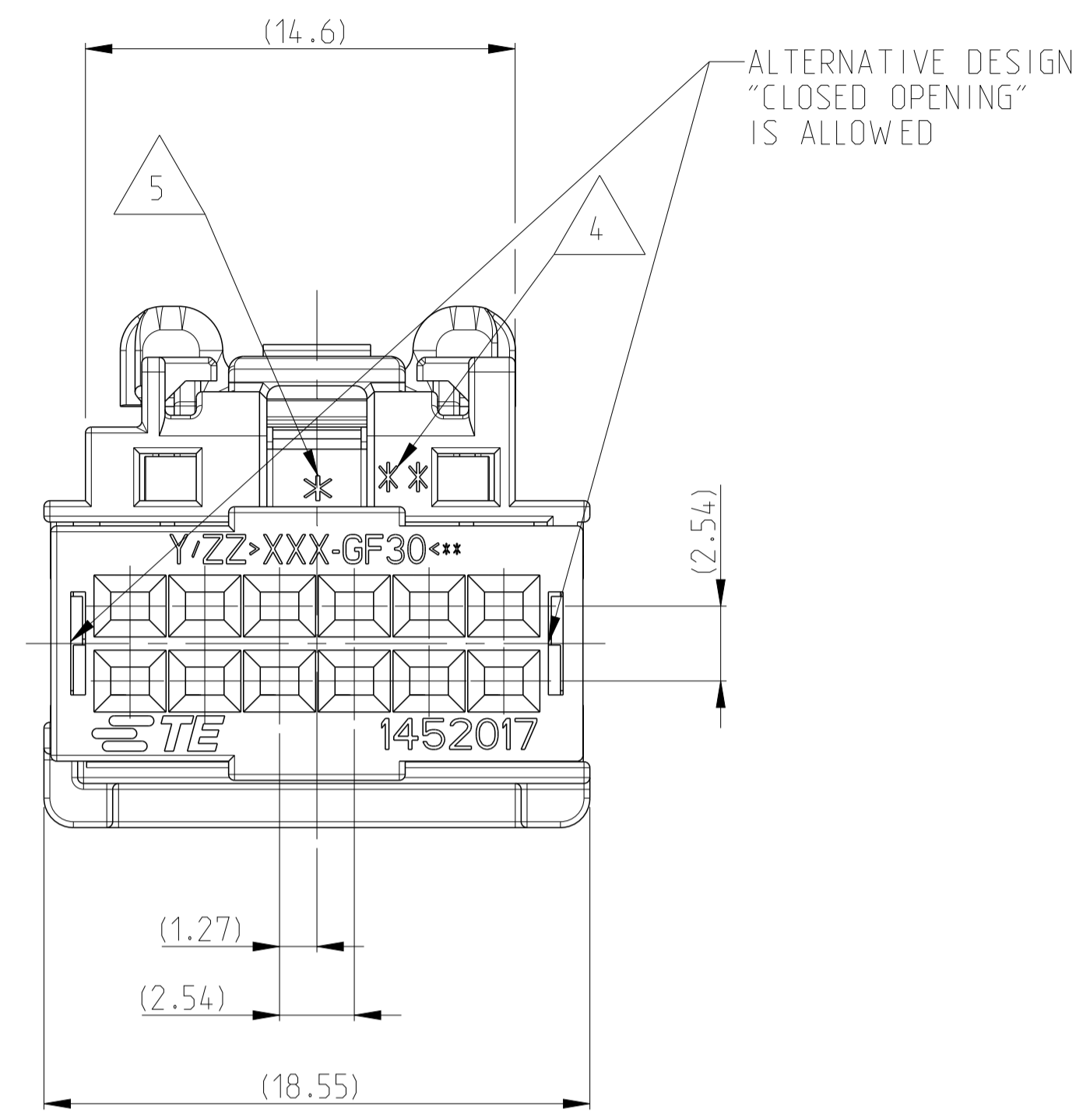
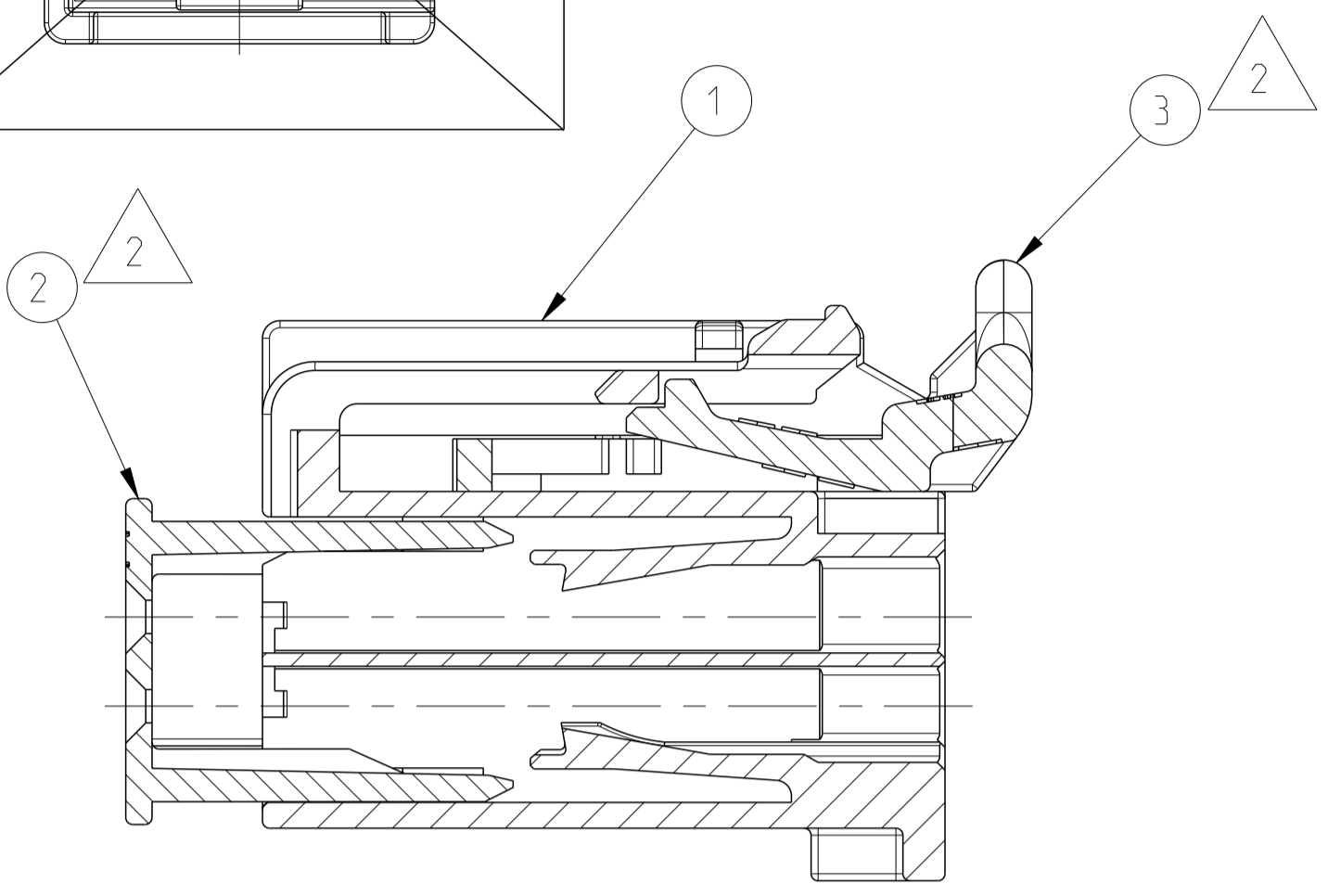
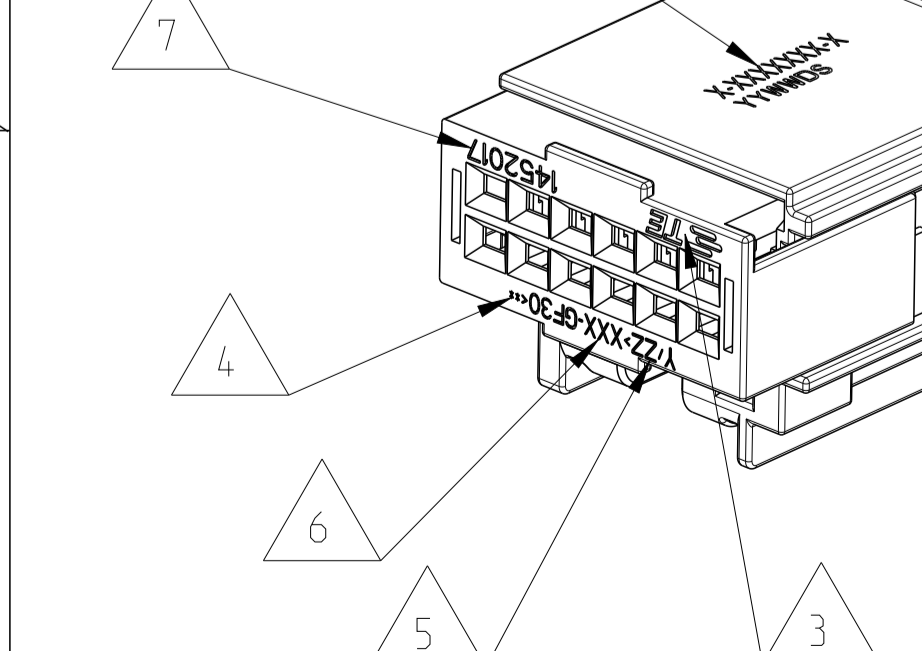
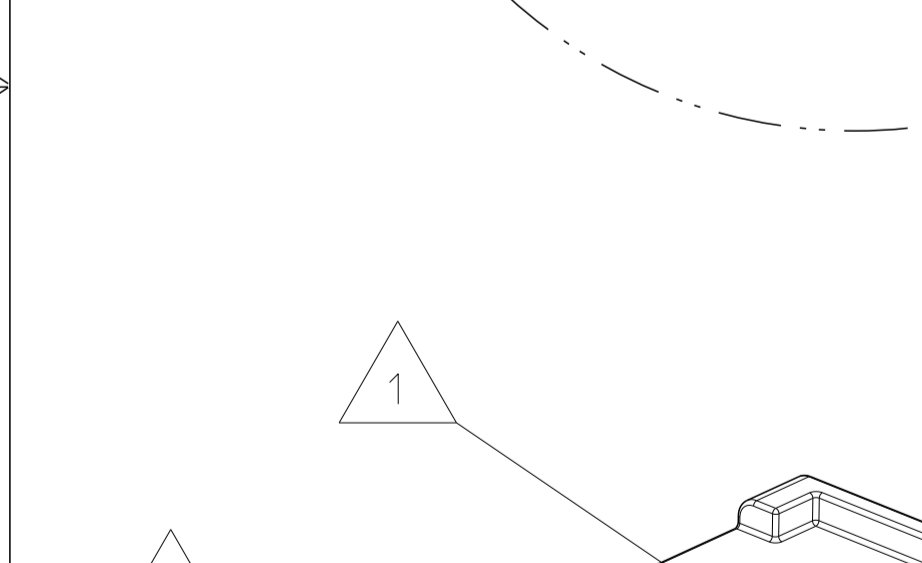
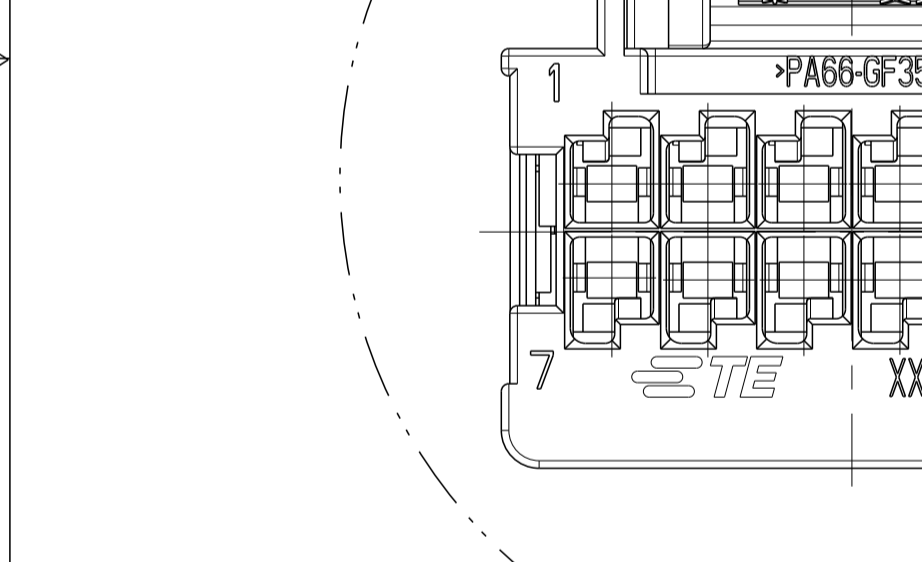
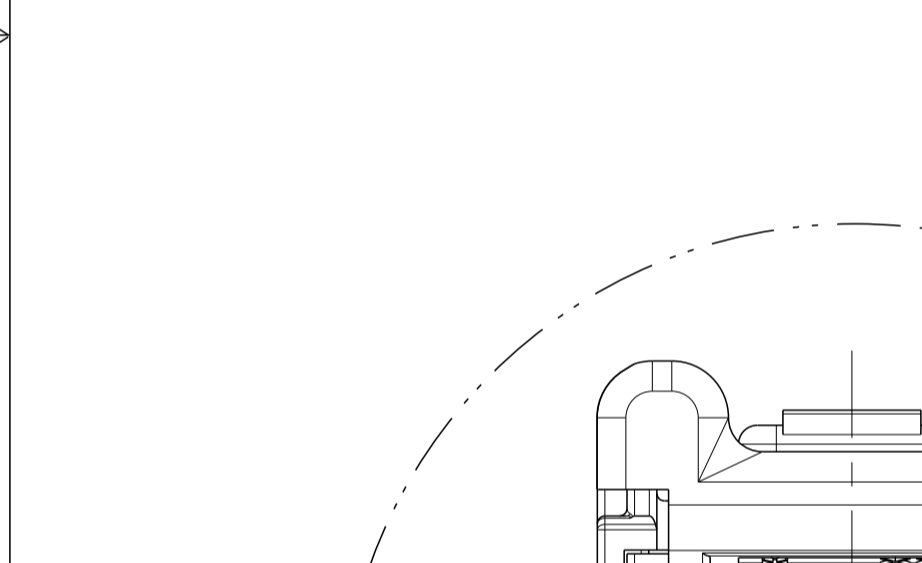
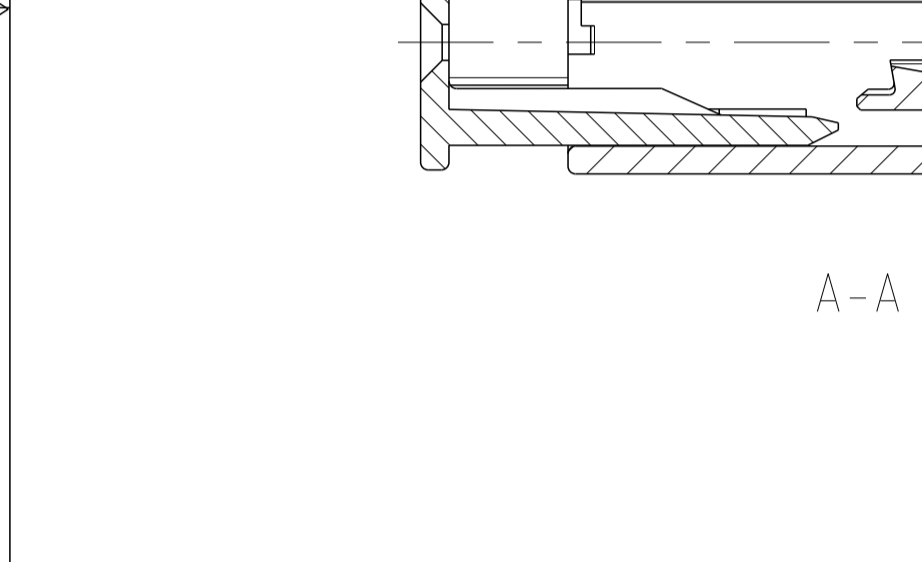
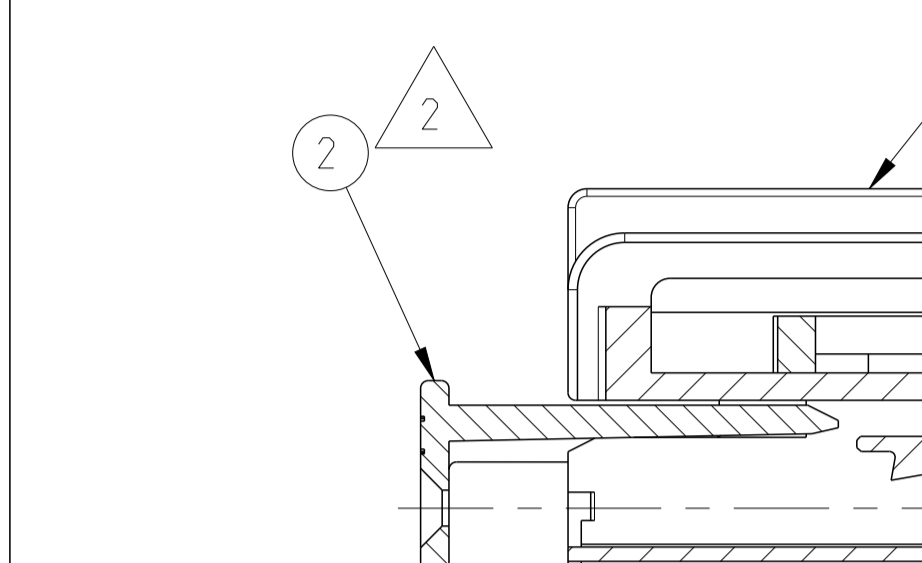
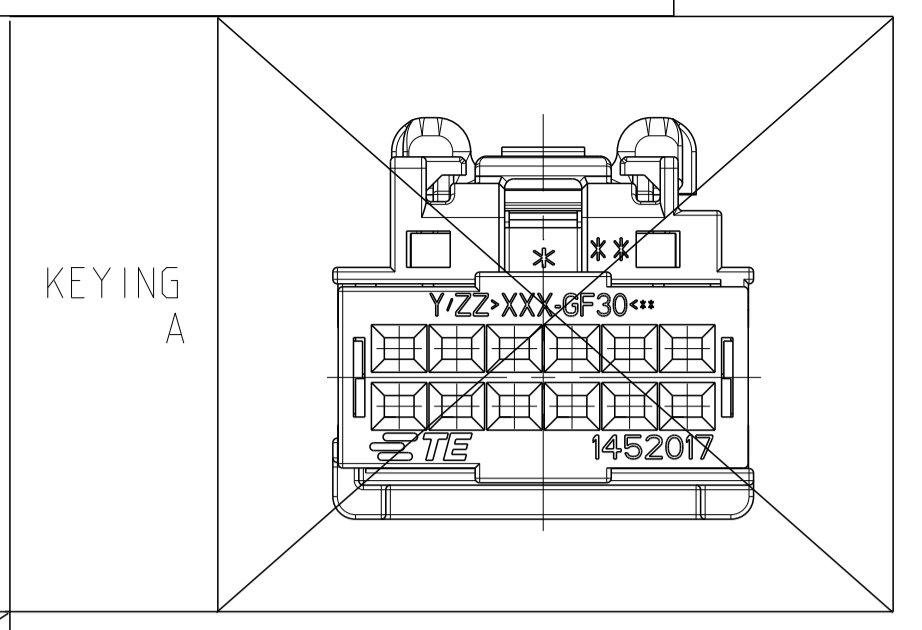
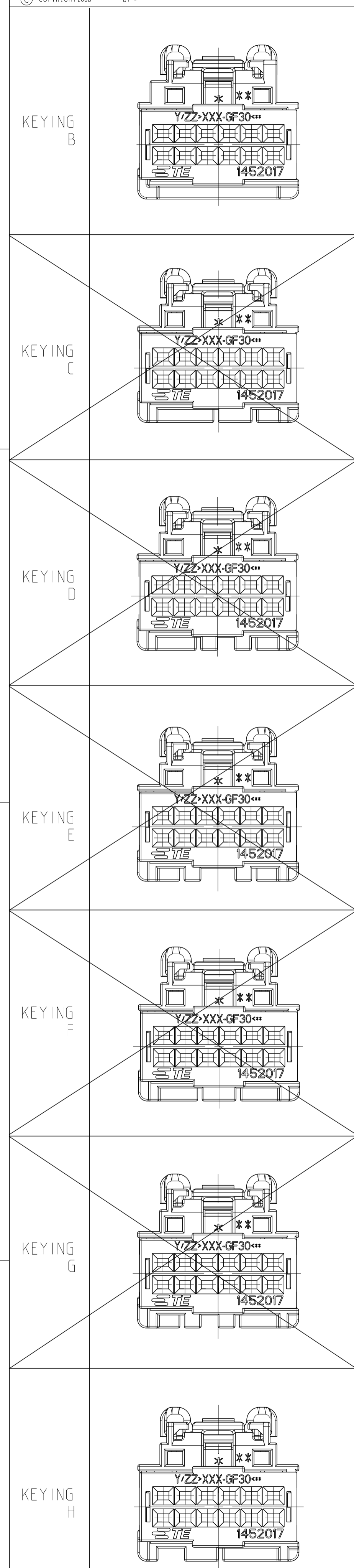
Tel: +86-755-8981 8866 Fax: +86-755-8427 6832

Email & Skype: info@chipsmall.com Web: www.chipsmall.com

Address: A1208, Overseas Decoration Building, #122 Zhenhua RD., Futian, Shenzhen, China



REVISIONS				
P.	LTH	DESCRIPTION	DATE	APVD
G2		SEE ECR-13-018050	19NOV2013	MS GS
G3		ECR-14-009941	02JUL2014	SS GS



ALTERNATIVE DESIGN "CLOSED OPENING" IS ALLOWED

ALTERNATIVE CAVITY DESIGN ALLOWED

- NOTES
Bemerkungen
- 1 TE-ORDER NUMBER AND TRACEABILITY
 - 2 SPACER AND CPA (OPTIONAL) ARE SHIPPED IN PRE-ASSEMBLED POSITIONS
 - 3 COMPANY LOGO (OPTIONAL)
 - 4 PRODUCT REVISIONS LEVEL
 - 5 TOOL NUMBER (OPTIONAL), CAVITY NUMBER
 - 6 MATERIAL IDENTIFICATION
 - 7 PART NUMBER
 - 8 TERMINAL POSITION NUMBERS LOCATED AS SHOWN
 - 9 PACKAGING: LAYER PACKED IN CONUGATED BOXES
 - 10 1-1452015-2 IS SHOWN

TE-ORDER-NUMBER	KEYING OPTIONS								CPA	PBT-GF	RED	3
	H	G	F	E	D	C	B	A				
1-1452015-8												
0-1452015-8												
1-1452015-7												
0-1452015-7												
1-1452015-6												
0-1452015-6												
1-1452015-5												
0-1452015-5												
1-1452015-4												
0-1452015-4												
1-1452015-3												
0-1452015-3												
1-1452015-2												
0-1452015-2												
1-1452015-1												
0-1452015-1												

THIS DRAWING IS A CONTROLLED DOCUMENT. DIMENSIONS: mm. TOLERANCES UNLESS OTHERWISE SPECIFIED: 0 PLC # # # # #, 1 PLC # # # # #, 2 PLC # # # # #, 3 PLC # # # # #, 4 PLC # # # # #, ANGLES # # # # #. MATERIAL: -. FINISH: -. WEIGHT: -. Customer Drawing.

OWN: B.van Sebroeck, ZSEP2000. CHK: B.van Sebroeck, 23MAR2001. APVD: B.van Sebroeck. NAME: -. PRODUCT SPEC: -. APPLICATION SPEC: -. SIZE: A1. CAGE CODE: 00779. DRAWING NO: C=1452015. RESTRICTED TO: -. SCALE: 5:1. SHEET: 1 OF 1. REV: G3.

STE TE Connectivity
GET SOCKET HOUSING, 2x6POS.
GET Buchsenhaeuse, 2x6pos.