



Chipsmall Limited consists of a professional team with an average of over 10 year of expertise in the distribution of electronic components. Based in Hongkong, we have already established firm and mutual-benefit business relationships with customers from,Europe,America and south Asia,supplying obsolete and hard-to-find components to meet their specific needs.

With the principle of “Quality Parts,Customers Priority,Honest Operation,and Considerate Service”,our business mainly focus on the distribution of electronic components. Line cards we deal with include Microchip,ALPS,ROHM,Xilinx,Pulse,ON,Everlight and Freescale. Main products comprise IC,Modules,Potentiometer,IC Socket,Relay,Connector.Our parts cover such applications as commercial,industrial, and automotives areas.

We are looking forward to setting up business relationship with you and hope to provide you with the best service and solution. Let us make a better world for our industry!



Contact us

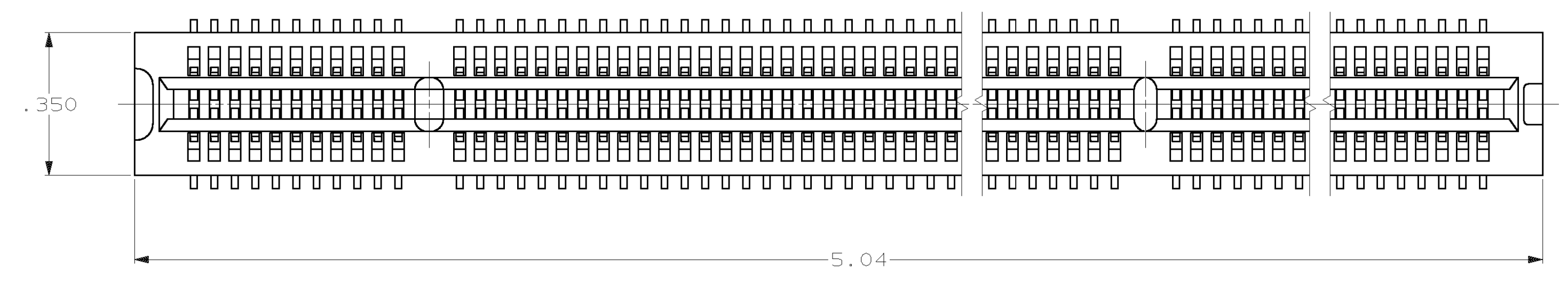
Tel: +86-755-8981 8866 Fax: +86-755-8427 6832

Email & Skype: info@chipsmall.com Web: www.chipsmall.com

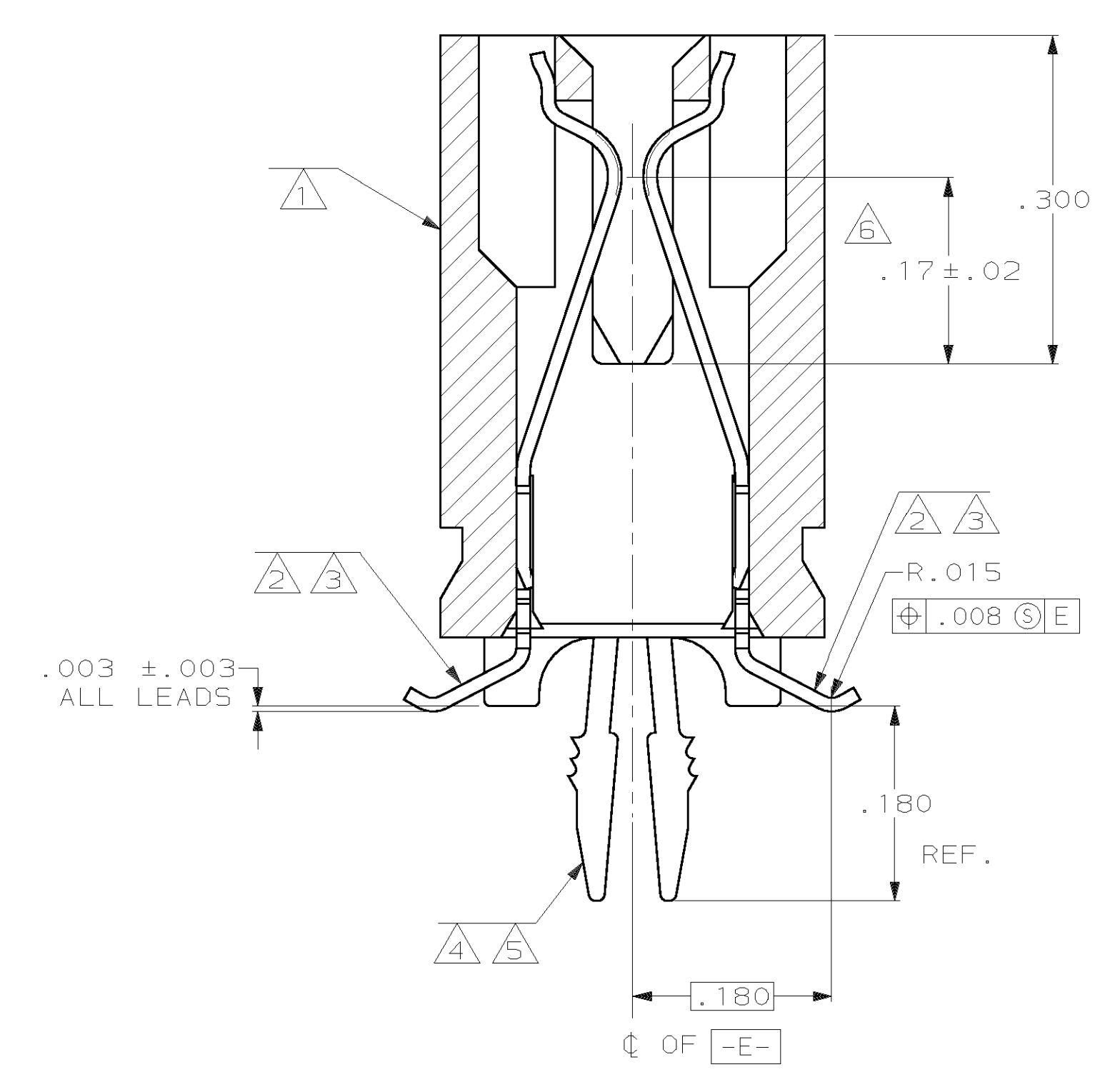
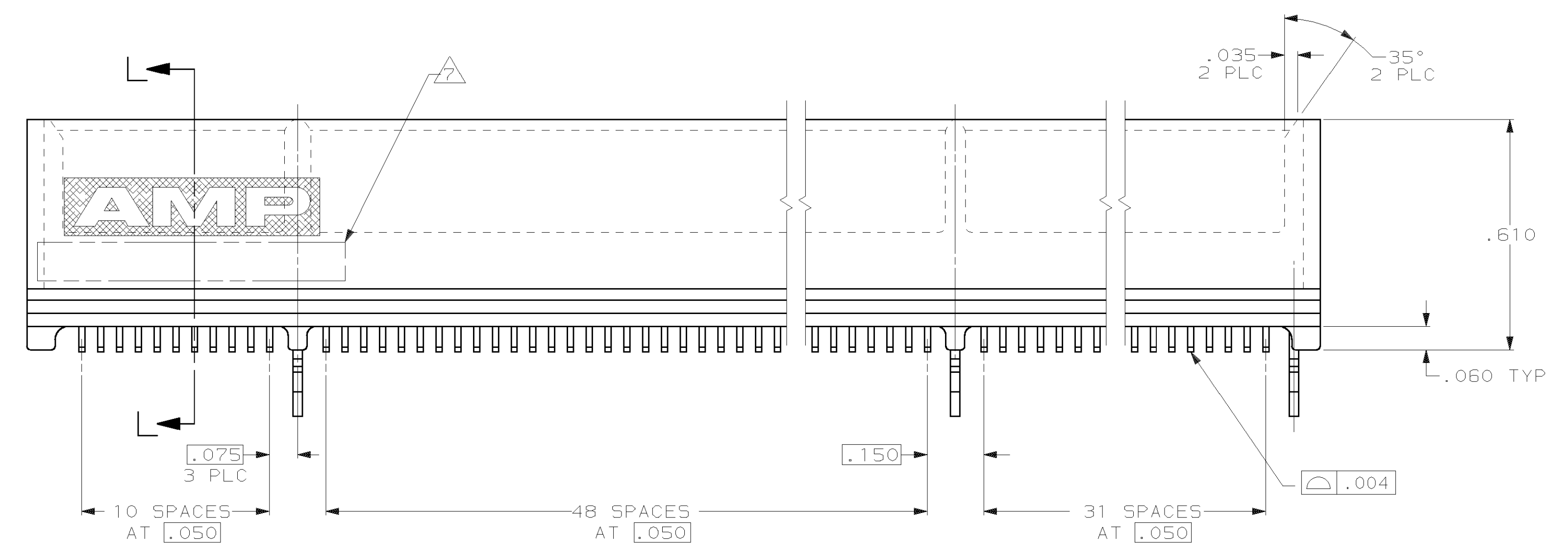
Address: A1208, Overseas Decoration Building, #122 Zhenhua RD., Futian, Shenzhen, China



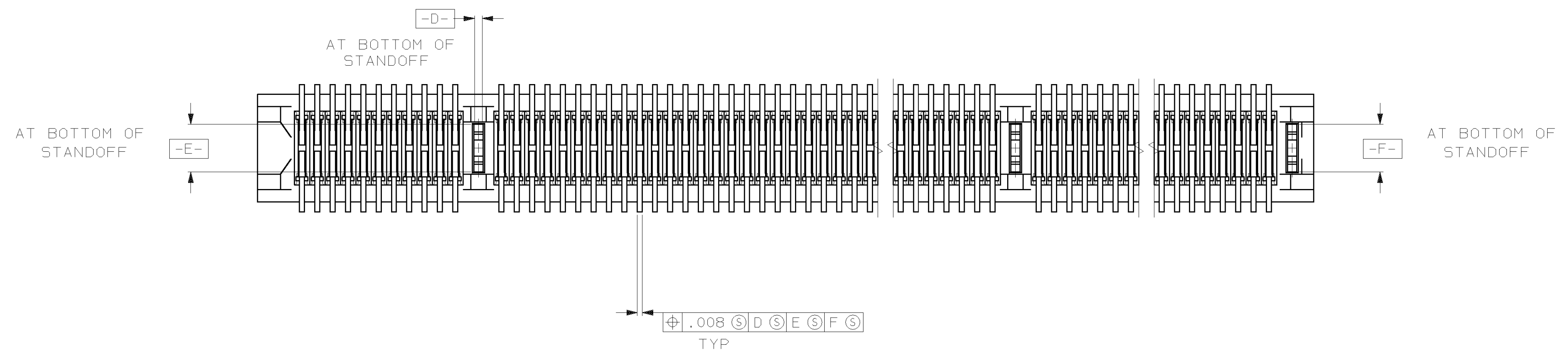
LOC		DIST		P		ZONE		LTR		REVISIONS	
AD	14									B	REVISED PER 0651-0071-99
										C	REV PER 051B-0139-00
											DATE
											APPD
											MM
											PD



- ① HOUSING: HIGH TEMPERATURE THERMOPLASTIC.
- ② CONTACT: PHOSPHOR BRONZE.
- ③ CONTACT FINISH: .000100 MIN NICKEL ALL OVER, .000030 MIN GOLD OVER NICKEL IN CONTACT AREA, .000100 MIN TIN-LEAD OVER NICKEL ON SOLDER TAILS.
- ④ METAL HOLD DOWN: BRASS
- ⑤ METAL HOLD DOWN FINISH: .000050 MIN NICKEL ALL OVER, .000150 MIN TIN-LEAD ALL OVER.
- ⑥ DISTANCE FROM CONTACT POINT TO BOTTOM OF CARD SLOT.
- ⑦ AMP PART NUMBER, DATE CODE AND CSA LOGO MARKED IN APPROXIMATE AREA SHOWN.



SECTION L-L
SCALE 8:1

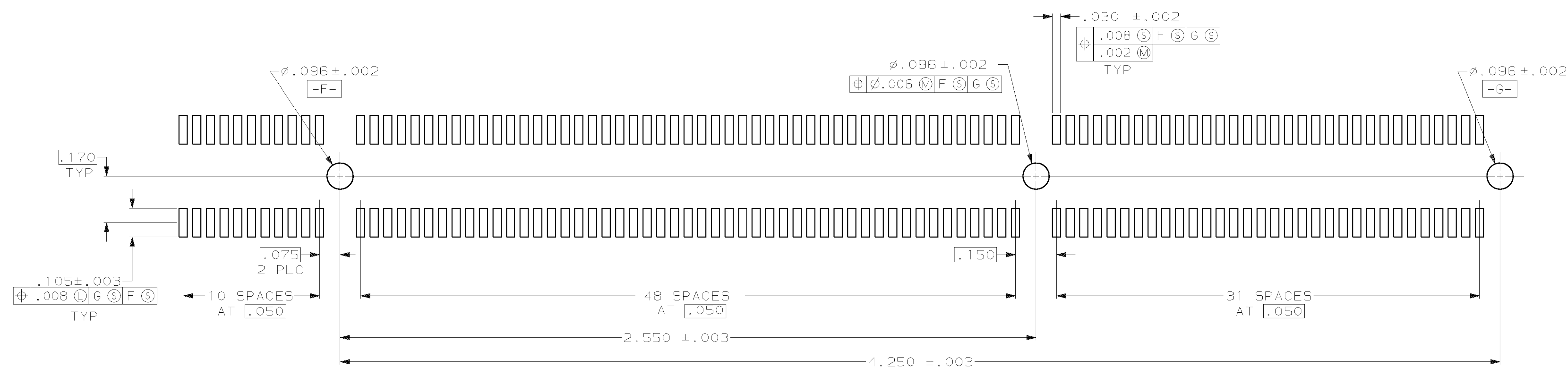


145246-1 AS SHOWN

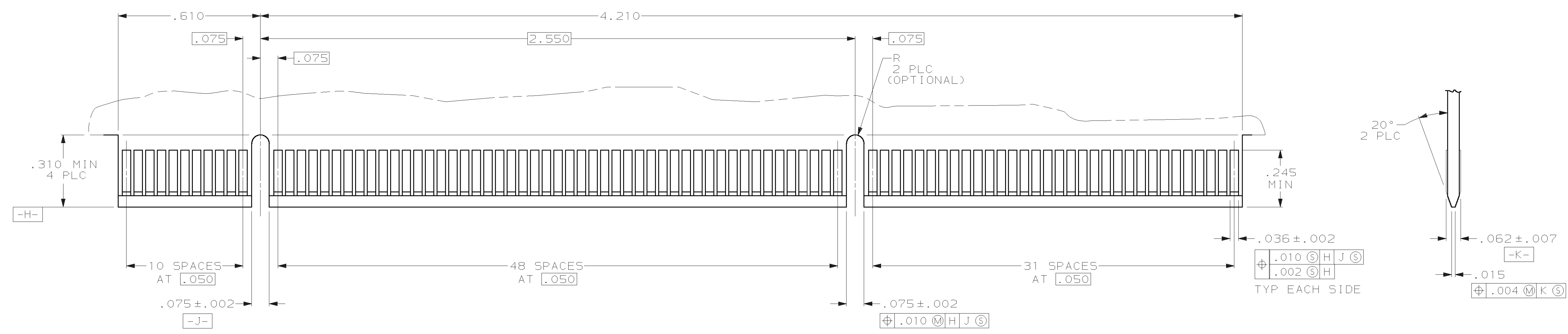
DO NOT SCALE PRINT. UNLESS SPECIFIED DIMENSIONS IN mm [INCHES]		DR 2/29/95 R BROWN		PART NO	
TOLERANCES ON:		CHK 2/29/95 M BOWERS		AMP AMP Incorporated Harrisburg, PA 17105-3608	
2 PLC DEC ± .01		APPD 2/29/95 M BOWERS		NAME	
3 PLC DEC ± .005		APPD 2/29/95 D SARVER		CONNECTOR ASSEMBLY, 92 DUAL POSITION, .050 SERIES, STANDARD EDGE SURFACE MOUNT	
ANGLES ± 2°		PRODUCT SPEC		SIZE	
MATERIAL		APPLICATION SPEC		CAGE CODE	
①②④		-		DRAWING NO	
FINISH		-		D 00779 C-145246	
③⑤		WEIGHT		SCALE	
-		-		4:1	
				SHEET	
				1 OF 2	

THIS DRAWING IS A CONTROLLED DOCUMENT FOR AMP INCORPORATED. IT IS SUBJECT TO CHANGE AND THE CONTROLLING ENGINEERING ORGANIZATION SHOULD BE CONTACTED FOR THE LATEST REVISION.

REVISIONS							
LOC	DIST	P	ZONE	LTR	DESCRIPTION	DATE	APPD
AD	14			C	SEE SHEET 1	-	-



RECOMMENDED CONNECTOR MOUNTING HOLE PATTERN
 (CONNECTOR SIDE SHOWN)



RECOMMENDED MATING BOARD EDGE CONFIGURATION

DO NOT SCALE PRINT. UNLESS SPECIFIED DIMENSIONS IN mm [INCHES] TOLERANCES ON: 2 PLC DEC ± .01 3 PLC DEC ± .005 ANGLES ± 2°	DR 2/29/96 R BROWN	AMP Incorporated Harrisburg, PA 17105-3508
	CHK 2/29/96 M BOWERS	
MATERIAL SEE SHEET 1	APPD 2/29/96 M BOWERS	NAME CONNECTOR ASSEMBLY, 92 DUAL POSITION, .050 SERIES, STANDARD EDGE SURFACE MOUNT
	APPD 2/29/96 D SARVER	PRODUCT SPEC 108-14034
FINISH SEE SHEET 1	APPLICATION SPEC 114-26012	SIZE D
	WEIGHT	CAGE CODE 00779
		DRAWING NO. 145246
		SCALE 4:1
		SHEET 2 OF 2