



Chipsmall Limited consists of a professional team with an average of over 10 year of expertise in the distribution of electronic components. Based in Hongkong, we have already established firm and mutual-benefit business relationships with customers from,Europe,America and south Asia,supplying obsolete and hard-to-find components to meet their specific needs.

With the principle of “Quality Parts,Customers Priority,Honest Operation,and Considerate Service”,our business mainly focus on the distribution of electronic components. Line cards we deal with include Microchip,ALPS,ROHM,Xilinx,Pulse,ON,Everlight and Freescale. Main products comprise IC,Modules,Potentiometer,IC Socket,Relay,Connector.Our parts cover such applications as commercial,industrial, and automotives areas.

We are looking forward to setting up business relationship with you and hope to provide you with the best service and solution. Let us make a better world for our industry!



Contact us

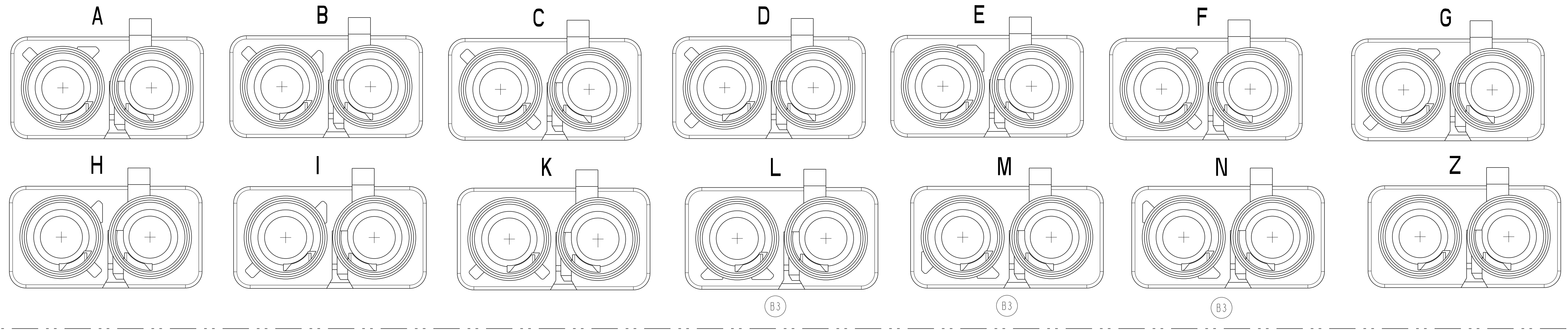
Tel: +86-755-8981 8866 Fax: +86-755-8427 6832

Email & Skype: info@chipsmall.com Web: www.chipsmall.com

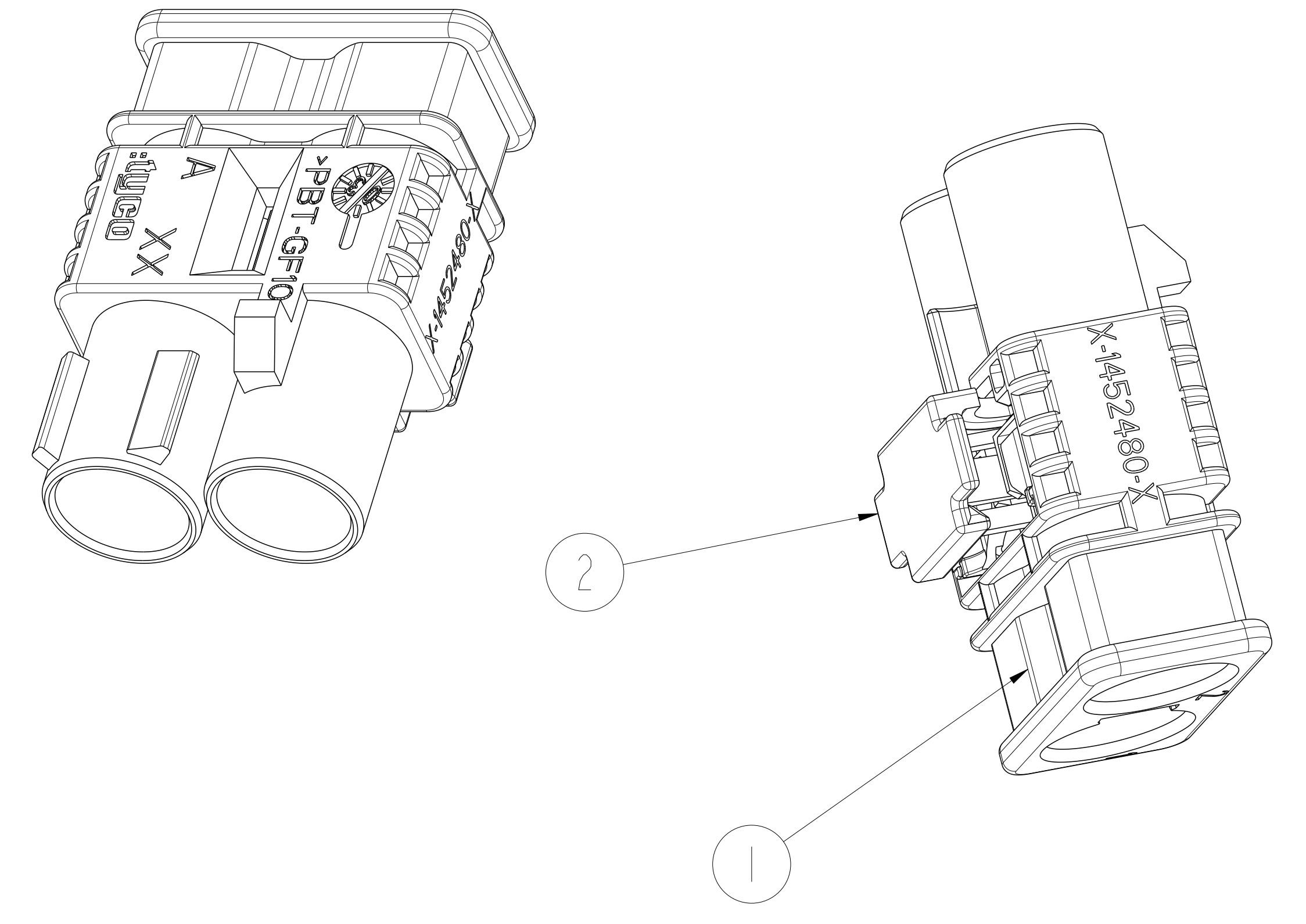
Address: A1208, Overseas Decoration Building, #122 Zhenhua RD., Futian, Shenzhen, China



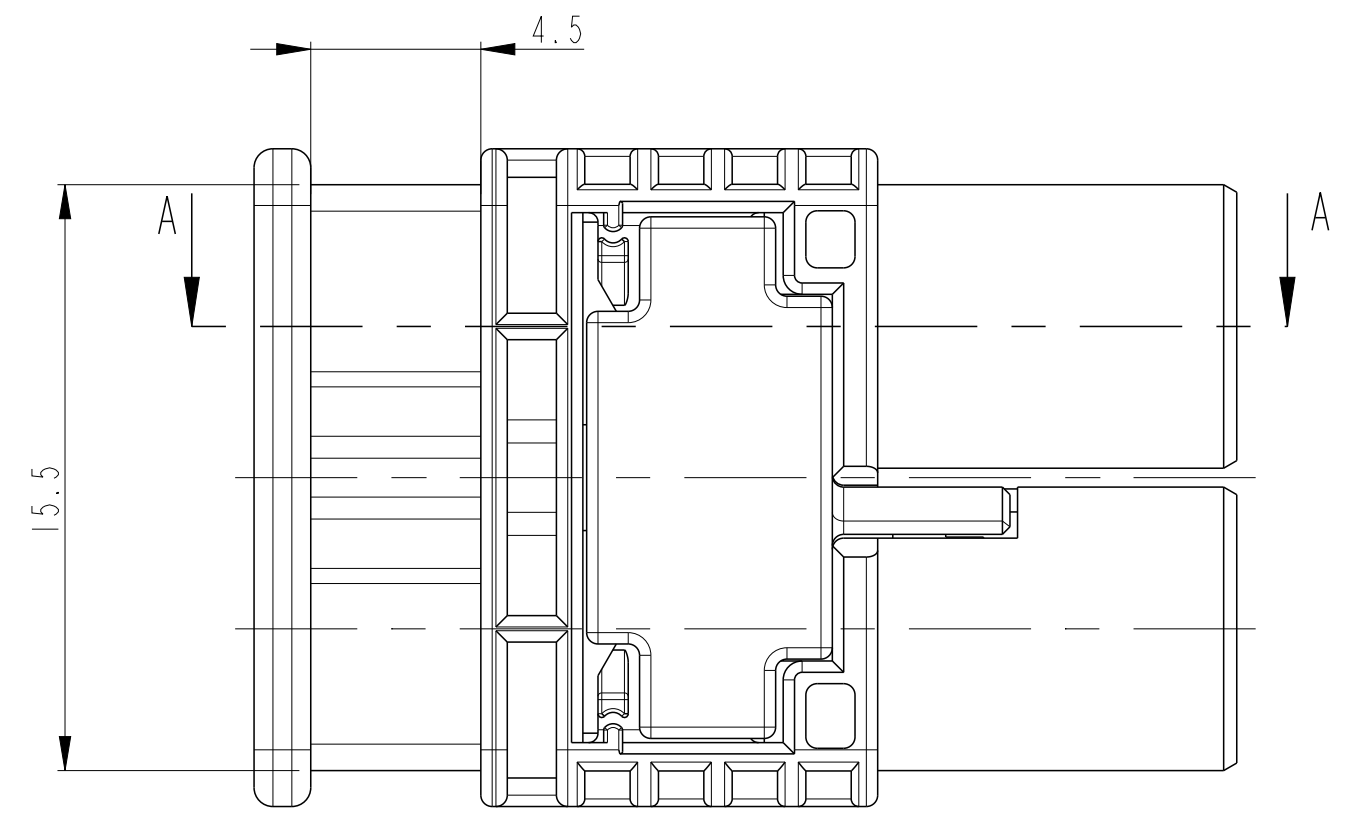
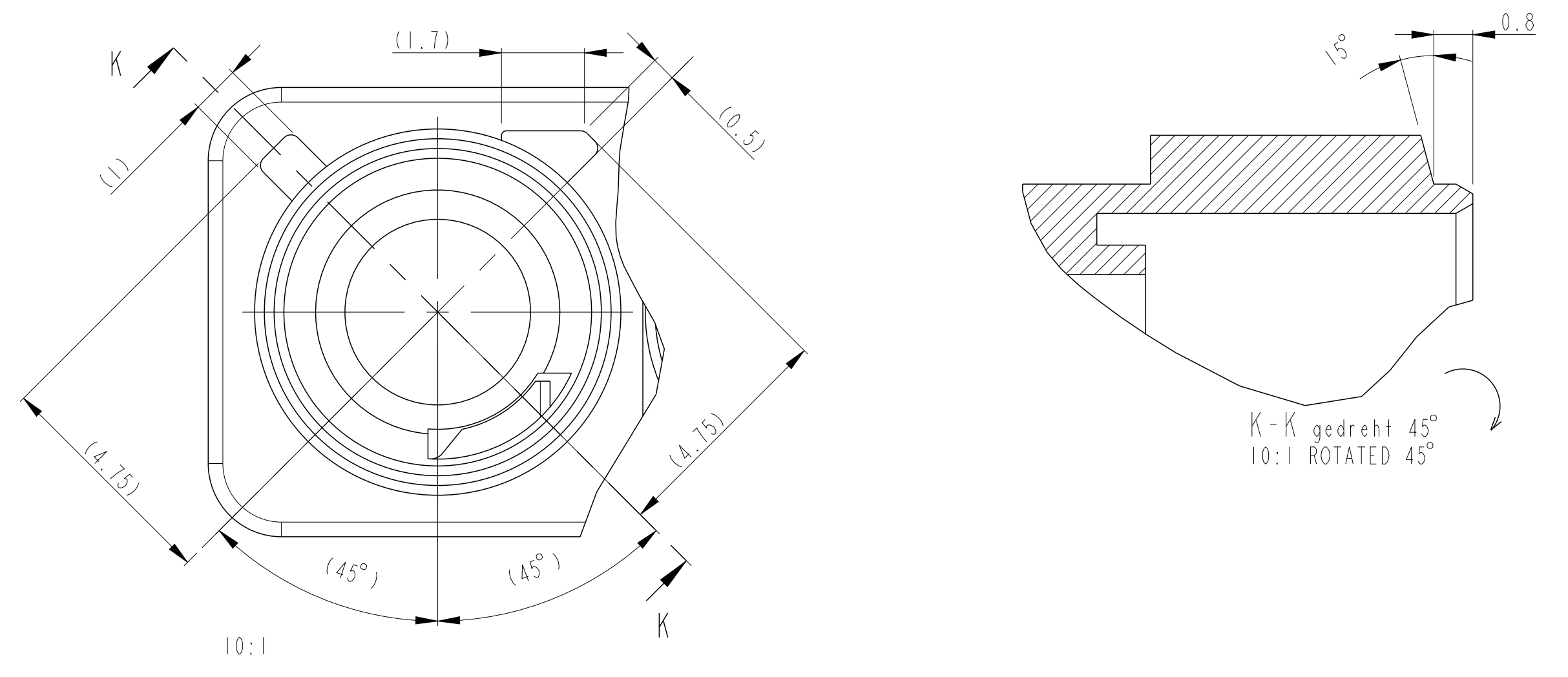
**Kodierungen
CODINGS**



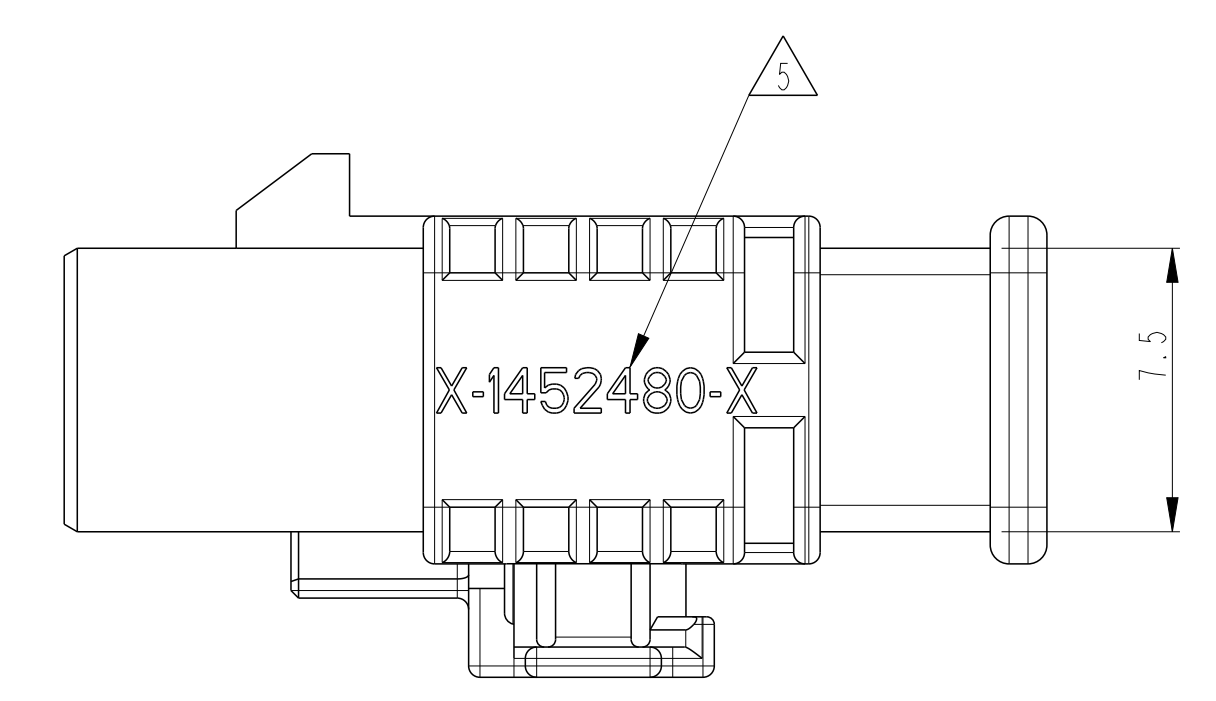
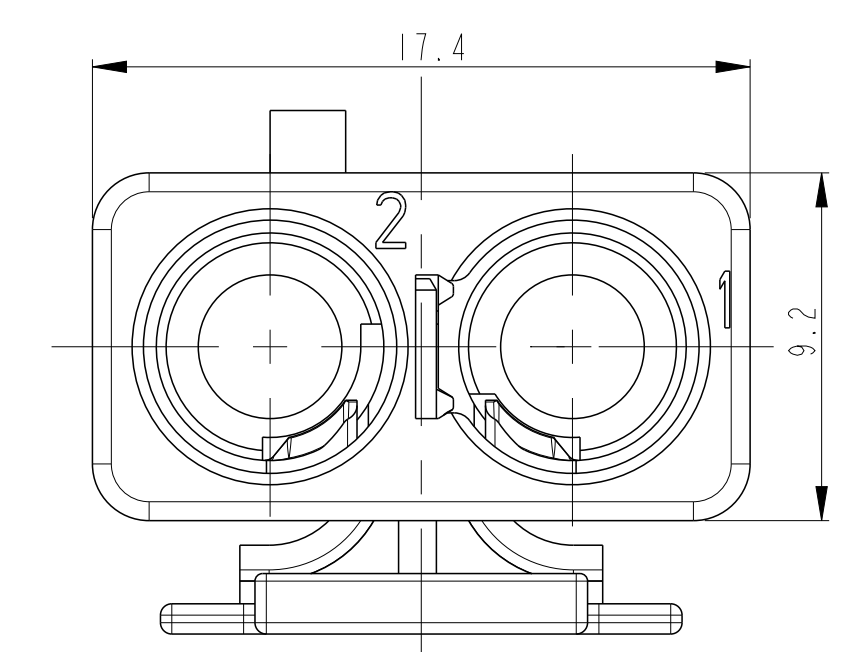
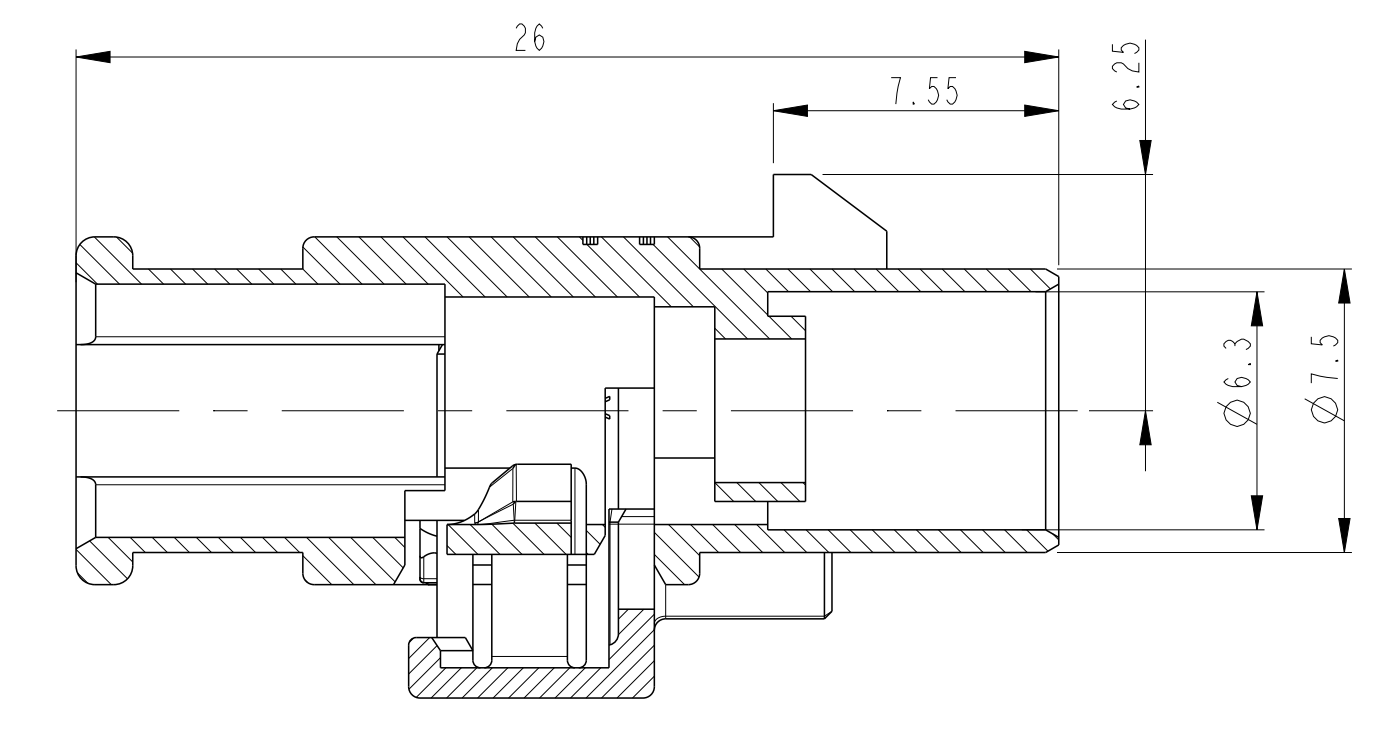
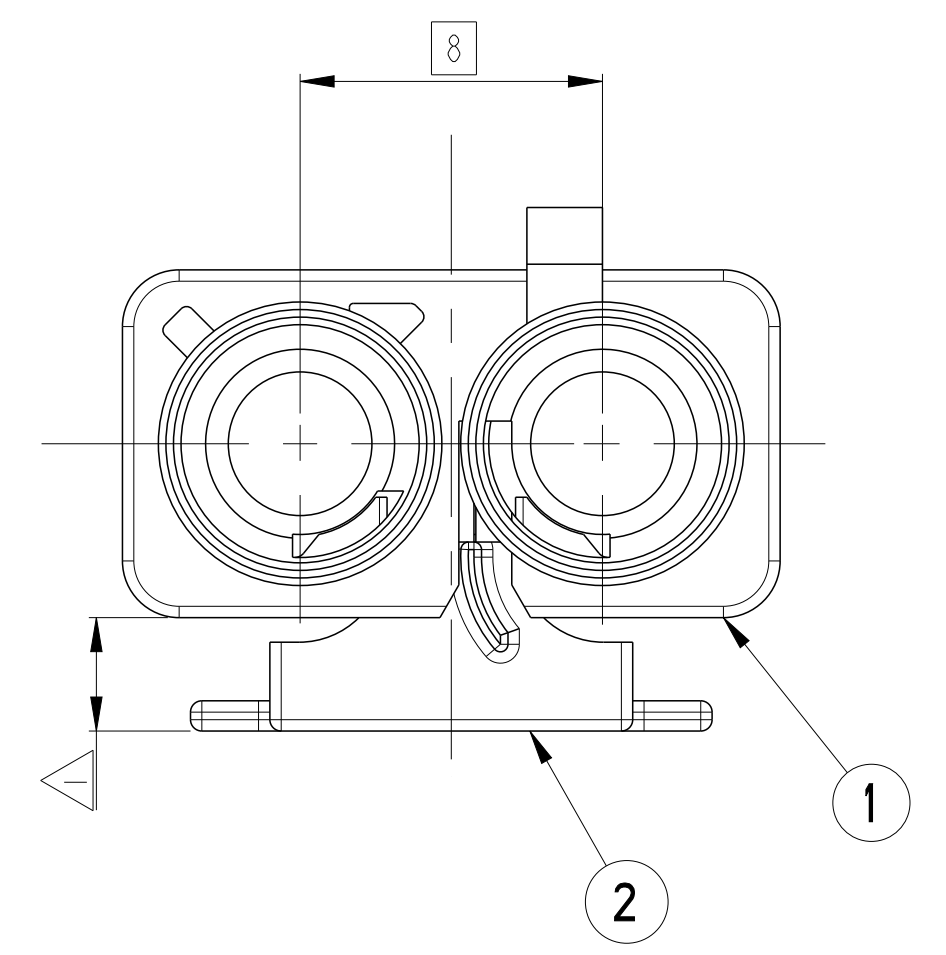
REVISIONS				
NO.	DATE	DESCRIPTION	BY	APPD.
B	19NOV2003	SEE PCN EGAO-0170-03	CF	HR
B1	25JAN2005	SEE PCN EGAO-0119-05	CF	HR
B2	20FEB2006	E-06-4513	CF	HR
B3	16MAY2014	E-16-003302	S.N.	U.G.



**BEMESSUNG DER KODIERRIPPEN GEMAESS FAKRA 2
(BEZIEHT SICH AUF ALLE KODIERRIPPEN)
DIMENSIONS OF THE KEY CODING RIBS ACCORDING TO FAKRA 2
(APPLY TO ALL CODING RIBS)**



TE PN	REV.	DESCRIPTION	CODING	COLOUR Similar RAL No.	QTY	ITEM NO.	SUITABLE FOR
1-1452480-4	B	Sekundaerverriegelung RETAINER	N	traffic purple/4006	1	2	3-1452483-4
		2pol Kupplergehaeuse 8mm 2WAY JACK HOUSING 8MM		pastel green/6019	1	1	1-1452483-4
1-1452480-3	B	Sekundaerverriegelung RETAINER	M	traffic purple/4006	1	2	3-1452483-3
		2pol Kupplergehaeuse 8mm 2WAY JACK HOUSING 8MM		pastel orange/2003	1	1	1-1452483-3
1-1452480-2	B	Sekundaerverriegelung RETAINER	L	traffic purple/4006	1	2	3-1452483-2
		2pol Kupplergehaeuse 8mm 2WAY JACK HOUSING 8MM		carmine red/3002	1	1	1-1452483-2
1-1452480-1	B	Sekundaerverriegelung RETAINER	Z	traffic purple/4006	1	2	3-1452483-1
		2pol Kupplergehaeuse 8mm 2WAY JACK HOUSING 8MM		water blue/5021	1	1	1-1452483-1
1-1452480-0	B	Sekundaerverriegelung RETAINER	K	traffic purple/4006	1	2	3-1452483-0
		2pol Kupplergehaeuse 8mm 2WAY JACK HOUSING 8MM		curry/1027	1	1	1-1452483-0
0-1452480-9	B	Sekundaerverriegelung RETAINER	I	traffic purple/4006	1	2	2-1452483-9
		2pol Kupplergehaeuse 8mm 2WAY JACK HOUSING 8MM		beige/1001	1	1	0-1452483-9
0-1452480-8	B	Sekundaerverriegelung RETAINER	H	traffic purple/4006	1	2	2-1452483-8
		2pol Kupplergehaeuse 8mm 2WAY JACK HOUSING 8MM		violett/4003	1	1	0-1452483-8
0-1452480-7	B	Sekundaerverriegelung RETAINER	G	traffic purple/4006	1	2	2-1452483-7
		2pol Kupplergehaeuse 8mm 2WAY JACK HOUSING 8MM		blue grey/7031	1	1	0-1452483-7
0-1452480-6	B	Sekundaerverriegelung RETAINER	F	traffic purple/4006	1	2	2-1452483-6
		2pol Kupplergehaeuse 8mm 2WAY JACK HOUSING 8MM		brown/8011	1	1	0-1452483-6
0-1452480-5	B	Sekundaerverriegelung RETAINER	E	traffic purple/4006	1	2	2-1452483-5
		2pol Kupplergehaeuse 8mm 2WAY JACK HOUSING 8MM		green/6002	1	1	0-1452483-5
0-1452480-4	B	Sekundaerverriegelung RETAINER	D	traffic purple/4006	1	2	2-1452483-4
		2pol Kupplergehaeuse 8mm 2WAY JACK HOUSING 8MM		claret violett/4004	1	1	0-1452483-4
0-1452480-3	B	Sekundaerverriegelung RETAINER	C	traffic purple/4006	1	2	2-1452483-3
		2pol Kupplergehaeuse 8mm 2WAY JACK HOUSING 8MM		blue/5005	1	1	0-1452483-3
0-1452480-2	B	Sekundaerverriegelung RETAINER	B	traffic purple/4006	1	2	2-1452483-2
		2pol Kupplergehaeuse 8mm 2WAY JACK HOUSING 8MM		cream/9001	1	1	0-1452483-2
0-1452480-1	B	Sekundaerverriegelung RETAINER	A	traffic purple/4006	1	2	2-1452483-1
		2pol Kupplergehaeuse 8mm 2WAY JACK HOUSING 8MM		deep black/9005	1	1	0-1452483-1



**Bemerkungen
NOTES**

- △ Sekundaerverriegelung in Vorraststellung
RETAINER IN PRE-SET POSITION
- 2 0-1452480-1 wie gezeichnet
0-1452480-1 AS SHOWN
- 3 Im gesteckten Zustand muessen die elektrischen
und mechanischen Anforderungen nach FAKRA
und IEC 169-10 erfuellt werden
- 4 THE CONNECTOR HAS TO FULLFILL THE MECHANICAL
AND ELECTRICAL REQUIREMENTS OF FAKRA
AND IEC 169-10
- 4 Passende Kontakte siehe Kundenzeichnung I488147
SUITABLE TERMINALS SEE CUSTOMER DRAWING I488147
- △ TE PN nach Tabelle
TE PN ACC. TABLE

THIS DRAWING IS A CONTROLLED DOCUMENT.		DATE: 28APR2003	BY: M. TRAJKOVIC	APPD: J. RIPPER	REV: 1
DIMENSIONS:	UNITS:	SCALE:	PROJECT SPEC:	APPLICATION SPEC:	WEIGHT:
0 P.L.C.	0 P.L.C.	1:1	108-18897-1	114-18609-1	0.000
1 P.L.C.	1 P.L.C.				
2 P.L.C.	2 P.L.C.				
3 P.L.C.	3 P.L.C.				
4 P.L.C.	4 P.L.C.				
MATERIAL:	FINISH:	ANGLE:	WEIGHT:	SCALE:	SHEET:
material_2	finish_spec_2			1:1	5/1



Kupplergehaeuse (Stiftseite) ZSB
2polig Coax FAKRA 2
JACK HSG. (MALE) ASSY, 2WAY FAKRA 2