



Chipsmall Limited consists of a professional team with an average of over 10 year of expertise in the distribution of electronic components. Based in Hongkong, we have already established firm and mutual-benefit business relationships with customers from,Europe,America and south Asia,supplying obsolete and hard-to-find components to meet their specific needs.

With the principle of “Quality Parts,Customers Priority,Honest Operation,and Considerate Service”,our business mainly focus on the distribution of electronic components. Line cards we deal with include Microchip,ALPS,ROHM,Xilinx,Pulse,ON,Everlight and Freescale. Main products comprise IC,Modules,Potentiometer,IC Socket,Relay,Connector.Our parts cover such applications as commercial,industrial, and automotives areas.

We are looking forward to setting up business relationship with you and hope to provide you with the best service and solution. Let us make a better world for our industry!



## Contact us

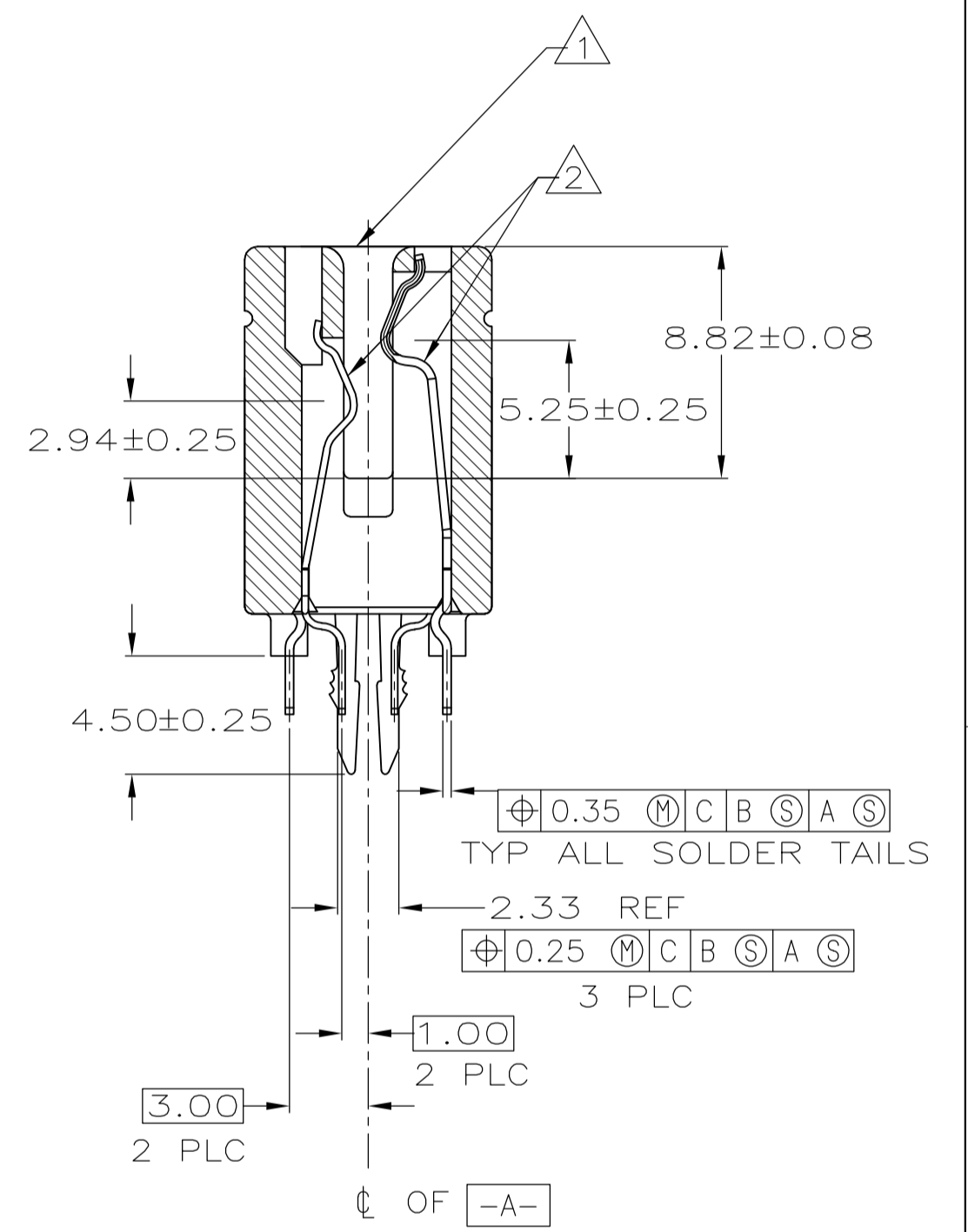
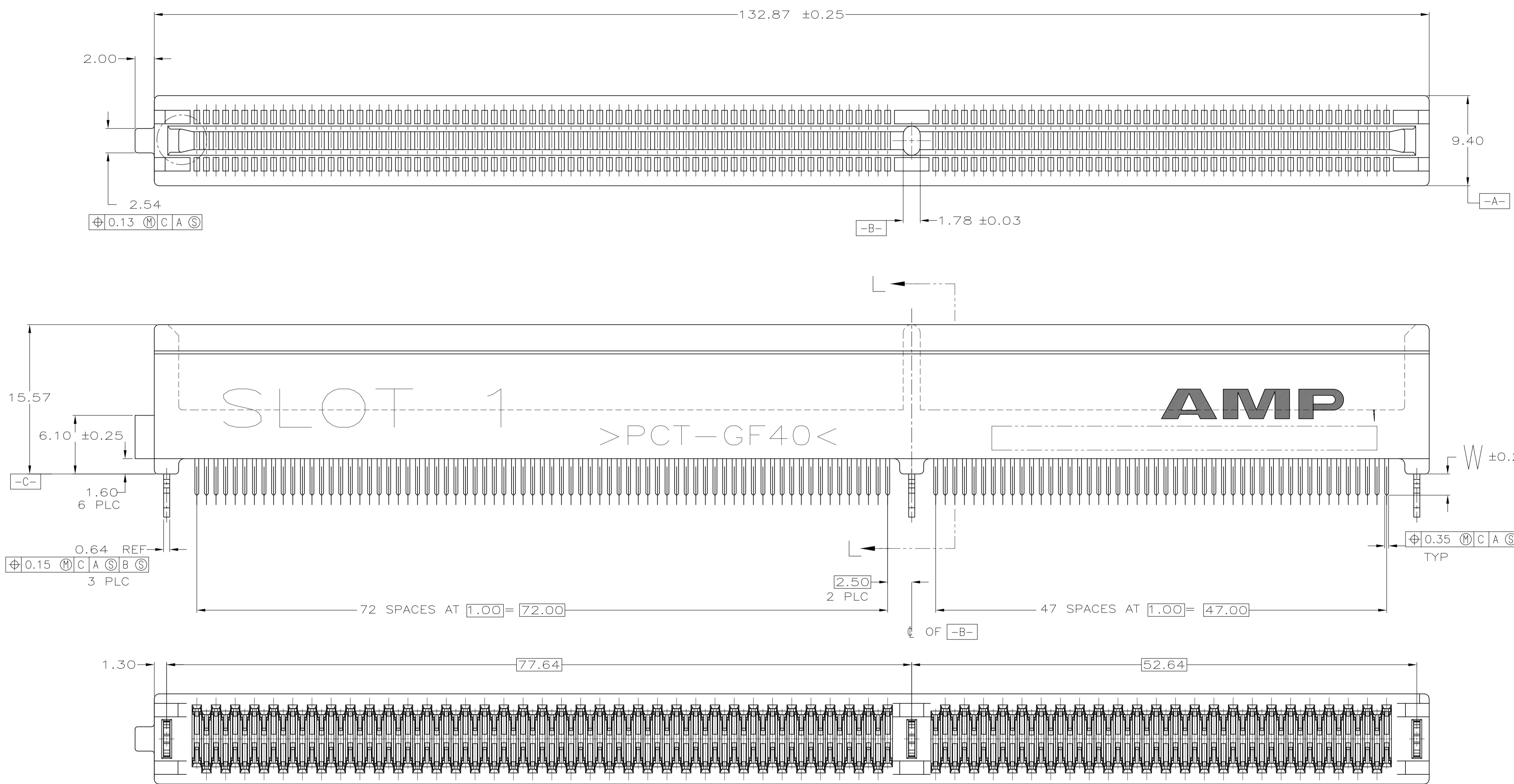
Tel: +86-755-8981 8866 Fax: +86-755-8427 6832

Email & Skype: info@chipsmall.com Web: www.chipsmall.com

Address: A1208, Overseas Decoration Building, #122 Zhenhua RD., Futian, Shenzhen, China



LOC	DIST	REV	DATE	BY	CHK	APVD
AD	14					
		A	5/15/97	RB		MB
		B	6/3/97	RB		MB
		C	8/14/97	RB		MB
		D	7/15/98	RB		DD
		E	8/4/98	RB		DD
		F	01/17/99	MM		EL
		G	01/20/99	MM		DD
		H	05/17/99	MM		EL
		H1	07JAN10	KK		AEG



- △ MATERIAL: HOUSING, THERMOPLASTIC, COLOR: BROWN.  
CONTACTS, PHOSPHOR BRONZE.  
HOLD-DOWNS, BRASS.
- △ FINISH: CONTACTS, 1.27 MIN. MICROMETERS NICKEL ALL OVER,  
0.38 MIN. MICROMETERS GOLD OVER NICKEL IN CONTACT AREA,
- △ FINISH: 2.54 MIN MICROMETERS TIN-LEAD OVER NICKEL ON SOLDER TAILS.
- △ FINISH: CONTACTS, 1.27 MIN. MICROMETERS NICKEL ALL OVER,  
0.0254-0.0762 MICROMETERS GOLD OVER NICKEL IN CONTACT AREA.  
2.54 MIN. MICROMETERS TIN-LEAD OVER NICKEL ON SOLDER TAILS.
- △ OBSOLETE PARTS: OBSOLETE CIS STREAMLINING PER D.RENAUD/D.SINISI

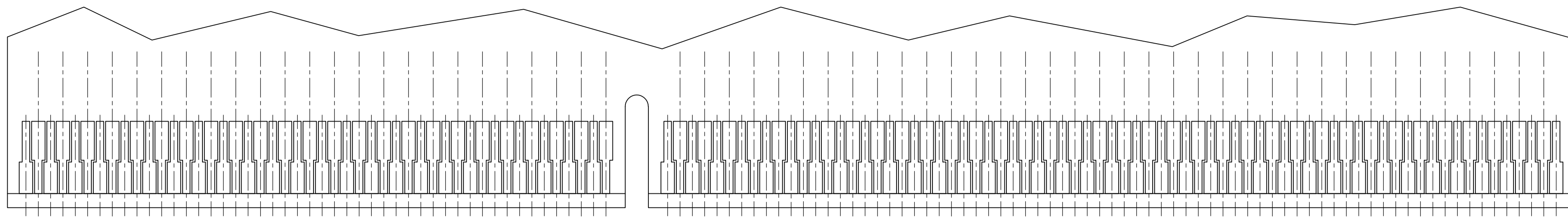
OBSOLETE	△	△	3.18	145251-6
△	△	△	2.54	145251-5
	△	△	3.18	145251-3
	△	△	2.54	145251-2
△	△	△	2.16	145251-1
	PLATING	W		PART NO

THIS DRAWING IS A CONTROLLED DOCUMENT.

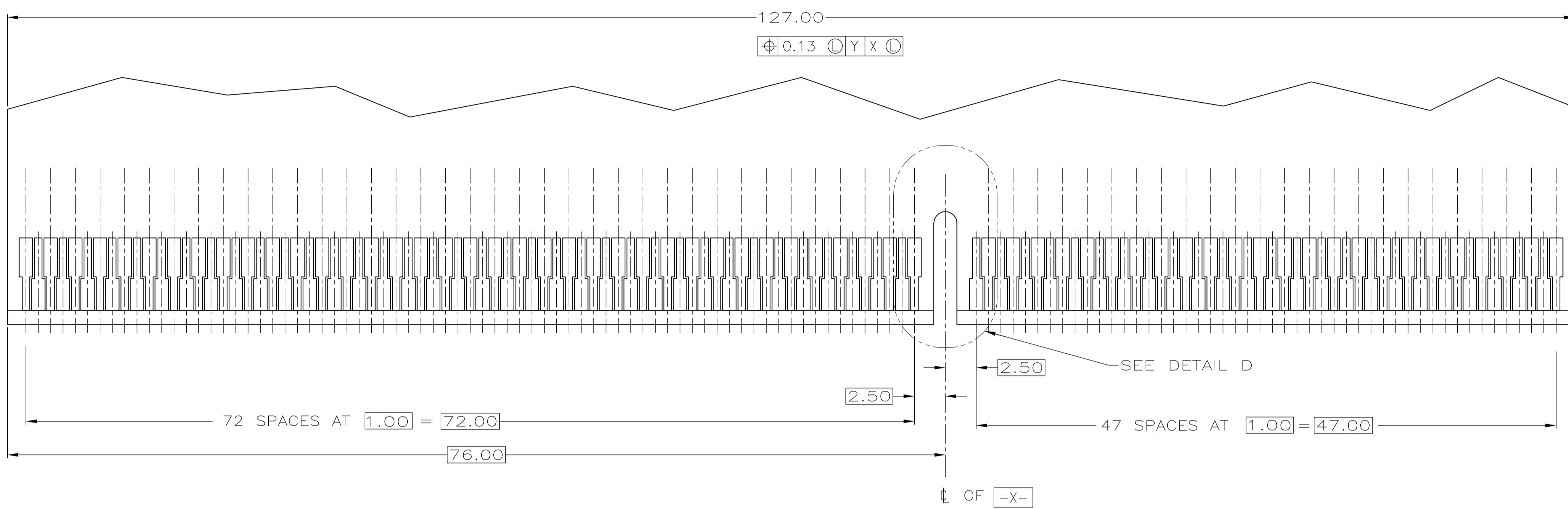
DIMENSIONS:	TOLERANCES UNLESS OTHERWISE SPECIFIED:	DWN	R BROWN	1/6/97
mm	0 PLC ±	CHK	M BOWERS	1/6/97
	1 PLC ±	APVD	D SARVER	1/6/97
	2 PLC ±	NAME	AMP, 1mm STANDARD EDGE ASSEMBLY, 242 POSITION	
	3 PLC ±	PRODUCT SPEC	AMP Incorporated Harrisburg, PA 17105-3608	
	4 PLC ±	APPLICATION SPEC	SIZE CAGE CODE DRAWING NO	
	ANGLES ±	WEIGHT	A1 00779 C-145251	
MATERIAL	FINISH	CUSTOMER DRAWING	SCALE	4:1 SHEET 1 OF 2 REV H1



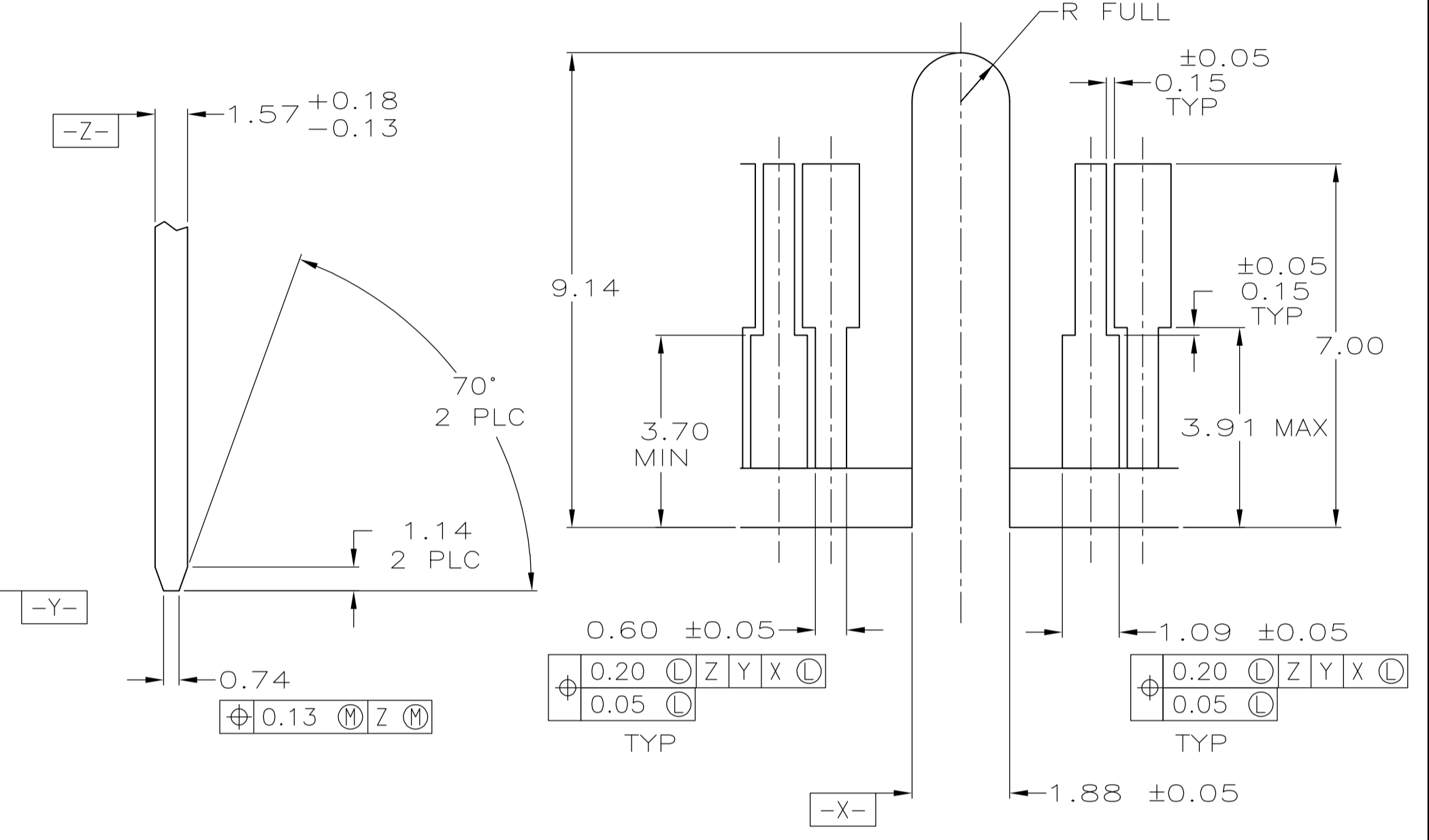
LOC		DIST		REVISIONS			
P	LTR	DATE	DWN	APVD			
H1	SEE SHEET 1	-	-	-			



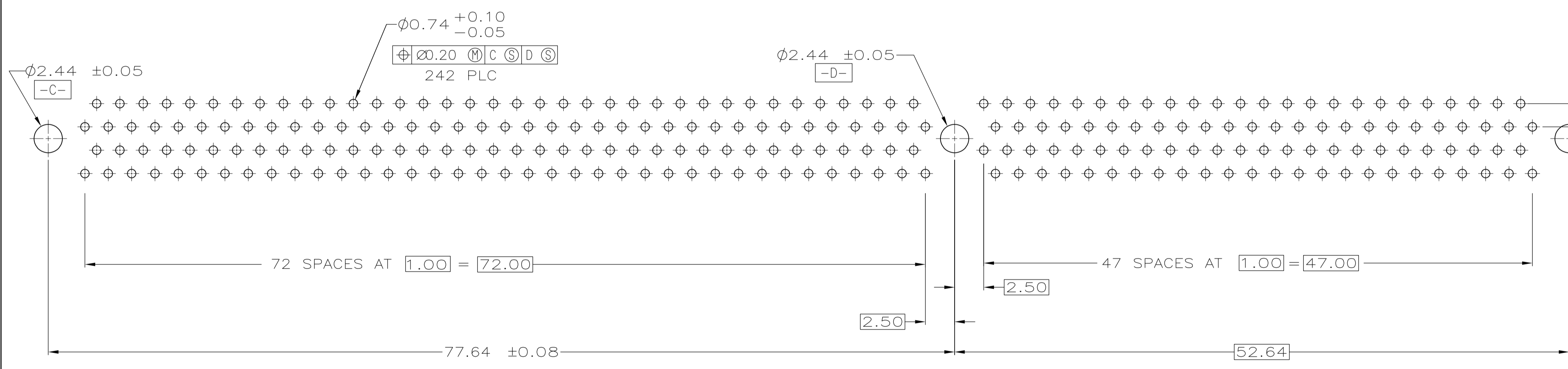
RECOMMENDED CONNECTOR MATING PAD PATTERN  
(SECONDARY SIDE SHOWN)



RECOMMENDED CONNECTOR MATING PAD PATTERN  
(PRIMARY SIDE SHOWN)



DETAIL D  
SCALE 10:1



RECOMMENDED CONNECTOR MOUNTING HOLE PATTERN  
(CONNECTOR SIDE SHOWN)

THIS DRAWING IS A CONTROLLED DOCUMENT.		DWN R. BROWN	1/6/96	<b>AMP</b>	AMP Incorporated																				
		CHK M. BOWERS	1/6/96		Harrisburg, PA 17105-3608																				
DIMENSIONS: mm		TOLERANCES UNLESS OTHERWISE SPECIFIED:		NAME D. SARVER																					
<table border="1"> <tr><td>0 PLC</td><td>±</td></tr> <tr><td>1 PLC</td><td>±</td></tr> <tr><td>2 PLC</td><td>±0.13</td></tr> <tr><td>3 PLC</td><td>±</td></tr> <tr><td>4 PLC</td><td>±</td></tr> </table>		0 PLC	±	1 PLC	±	2 PLC	±0.13	3 PLC	±	4 PLC	±	<table border="1"> <tr><td>0</td><td>±</td></tr> <tr><td>1</td><td>±</td></tr> <tr><td>2</td><td>±</td></tr> <tr><td>3</td><td>±</td></tr> <tr><td>4</td><td>±</td></tr> </table>		0	±	1	±	2	±	3	±	4	±	PRODUCT SPEC	
0 PLC	±																								
1 PLC	±																								
2 PLC	±0.13																								
3 PLC	±																								
4 PLC	±																								
0	±																								
1	±																								
2	±																								
3	±																								
4	±																								
MATERIAL		FINISH		APPLICATION SPEC																					
				WEIGHT																					
				SIZE																					
				CAGE CODE																					
				DRAWING NO																					
				SCALE																					
				SHEET																					
				REV																					