



Chipsmall Limited consists of a professional team with an average of over 10 year of expertise in the distribution of electronic components. Based in Hongkong, we have already established firm and mutual-benefit business relationships with customers from,Europe,America and south Asia,supplying obsolete and hard-to-find components to meet their specific needs.

With the principle of “Quality Parts,Customers Priority,Honest Operation,and Considerate Service”,our business mainly focus on the distribution of electronic components. Line cards we deal with include Microchip,ALPS,ROHM,Xilinx,Pulse,ON,Everlight and Freescale. Main products comprise IC,Modules,Potentiometer,IC Socket,Relay,Connector.Our parts cover such applications as commercial,industrial, and automotives areas.

We are looking forward to setting up business relationship with you and hope to provide you with the best service and solution. Let us make a better world for our industry!



## Contact us

Tel: +86-755-8981 8866 Fax: +86-755-8427 6832

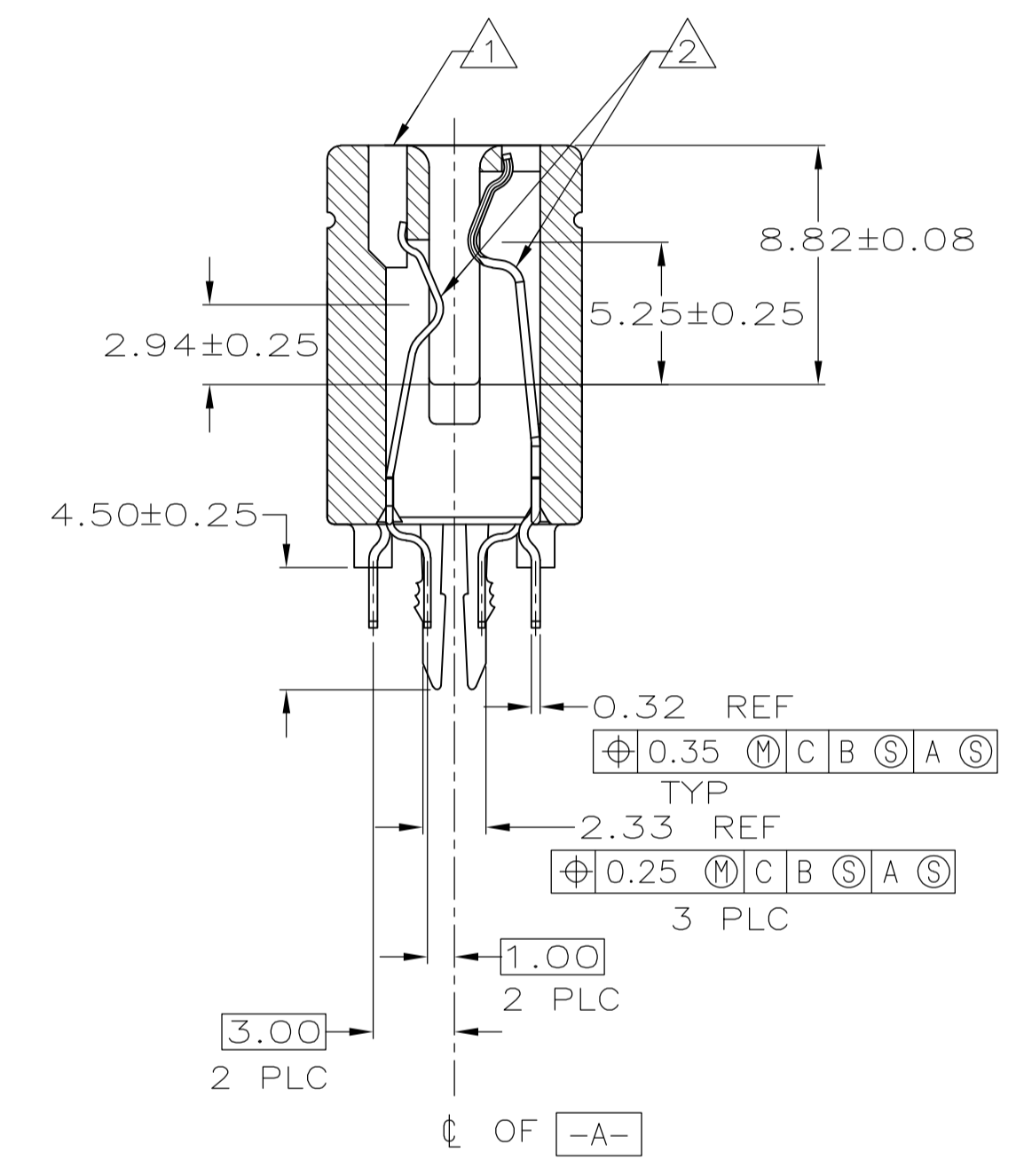
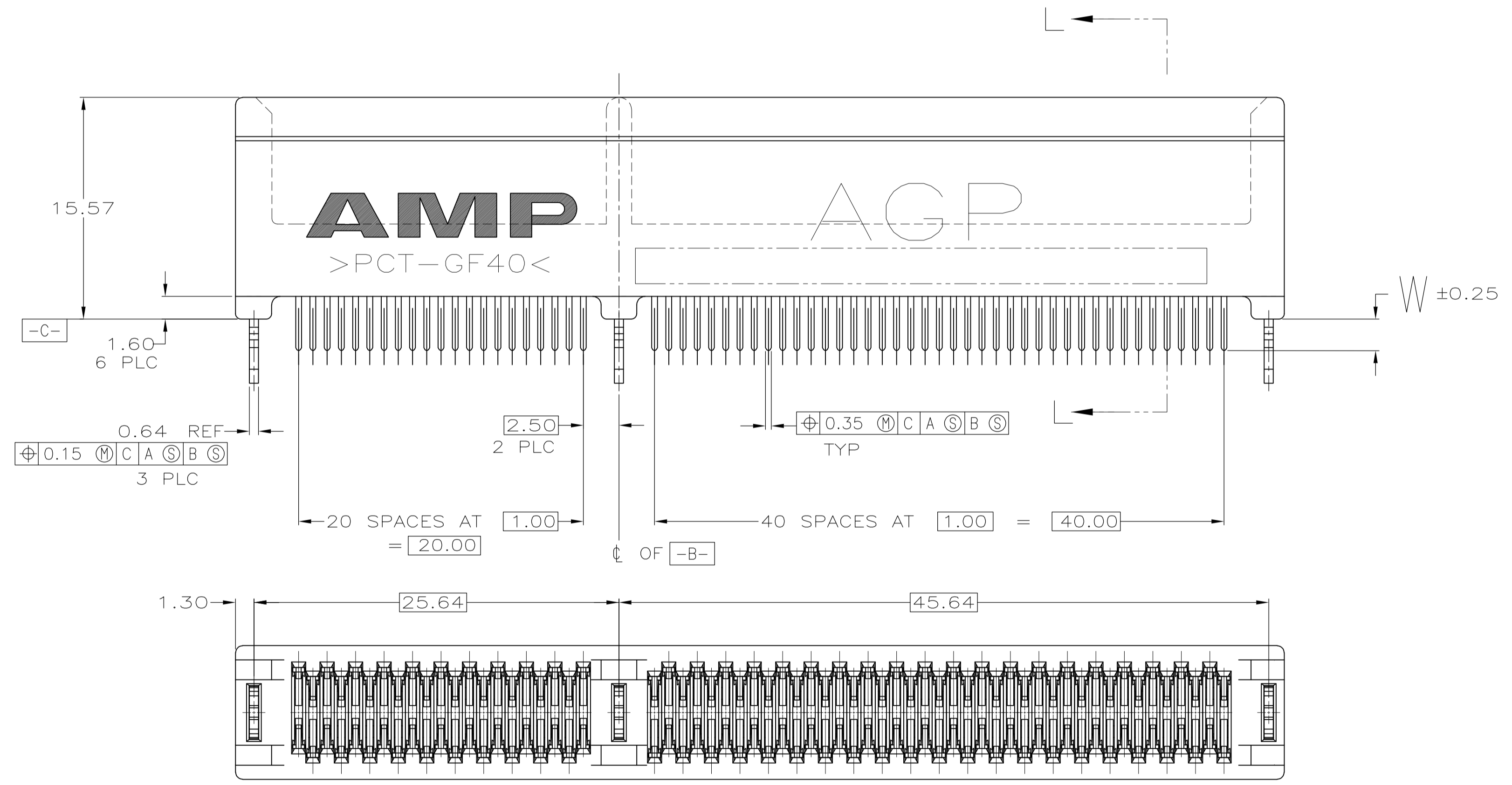
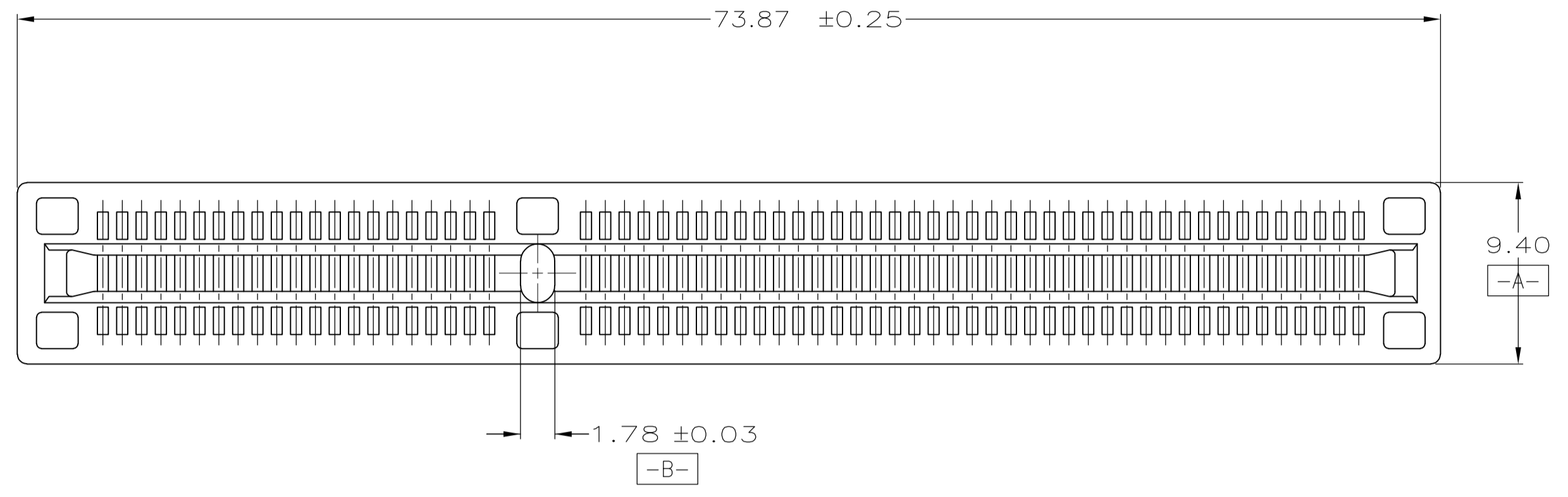
Email & Skype: info@chipsmall.com Web: www.chipsmall.com

Address: A1208, Overseas Decoration Building, #122 Zhenhua RD., Futian, Shenzhen, China



THIS DRAWING IS UNPUBLISHED. RELEASED FOR PUBLICATION .19  
 © COPYRIGHT 19 BY AMP INCORPORATED. ALL RIGHTS RESERVED.

LOC	DIST	REVISIONS					
AD	14	P	LTR	DESCRIPTION	DATE	DWN	APVD
		A		REVISED PER 0430-0163-97	5/15/97	RB	MB
		B		REVISED PER 0430-0204-97	6/3/97	RB	MB
		C		REVISED PER 0430-0286-97	8/14/97	RB	MB
		D		REVISED PER 0651-0101-98	7/15/98	RB	DD
		E		REVISED PER 0651-0107-98	8/4/98	RB	DD
		F		REV PER EC 0651-0226-98	01/17/99	MM	EL
		G		REV PER EC 0651-0294-98	01/20/99	MM	DD
		H		REV PER 0651-0062-99	05/17/99	MM	EL
		H1		REV PER ECO-09-021826	07JAN10	KW	AEG



- △ MATERIAL: HOUSING, THERMOPLASTIC, COLOR: BROWN.  
CONTACTS, PHOSPHOR BRONZE.  
HOLD-DOWNS, BRASS.
- △ FINISH: CONTACTS, 1.27 MIN. MICROMETERS NICKEL ALL OVER,  
0.38 MIN. MICROMETERS GOLD OVER NICKEL IN CONTACT AREA,  
2.54 MIN MICROMETERS TIN-LEAD OVER NICKEL ON SOLDER TAILS.
- △ FINISH: CONTACTS, 1.27 MIN. MICROMETERS NICKEL ALL OVER,  
0.0254-0.0762 MICROMETERS GOLD OVER NICKEL IN CONTACT AREA.  
2.54 MIN. MICROMETERS TIN-LEAD OVER NICKEL ON SOLDER TAILS.
- △ OBSOLETE PARTS: OBSOLETE CIS STREAMLINING PER D.RENAUD/D.SINISI

△ OBSOLETE	△	3.18	145263-6
	△	2.54	145263-5
	△	3.18	145263-3
	△	2.54	145263-2
	△	2.16	145263-1
PLATING	W		PART NO

THIS DRAWING IS A CONTROLLED DOCUMENT. DWN R. BROWN 1/7/97  
 CHK M. BOWERS 1/7/97  
 APVD D. SARVER 1/7/97

AMP Incorporated  
 Harrisburg, PA 17105-3608

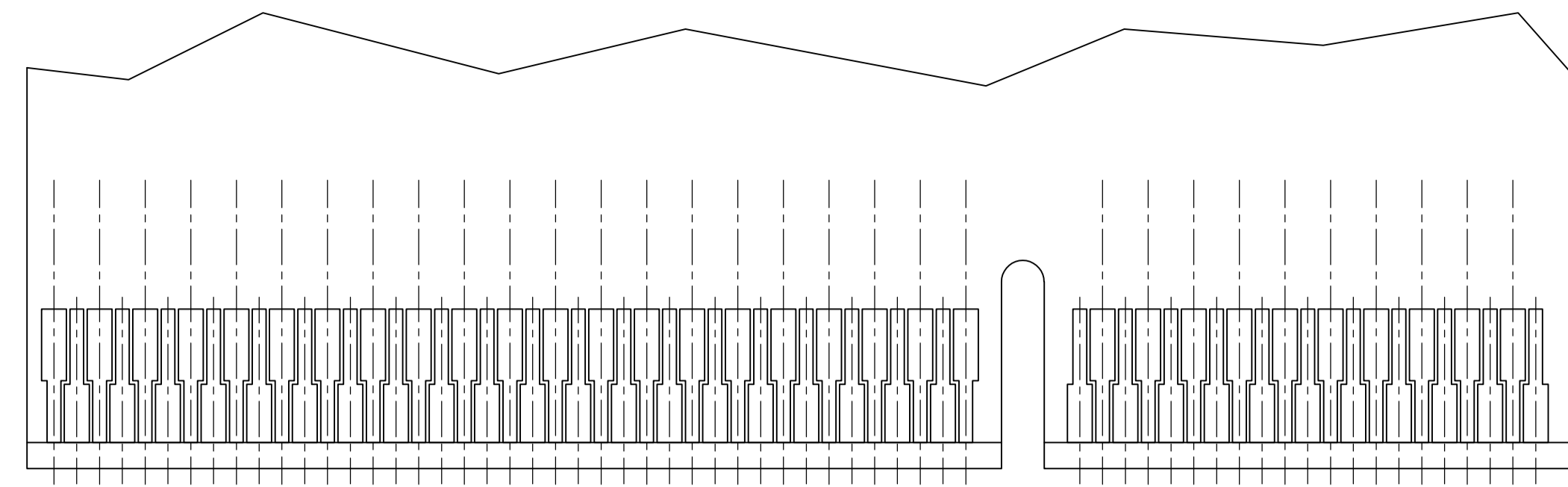
ASSEMBLY, 124 POSITION  
 1mm, CARD EDGE CONNECTOR

SIZE A1 CAGE CODE 00779 DRAWING NO C-145263  
 WEIGHT - SCALE 4:1 SHEET 1 OF 2 REV HI

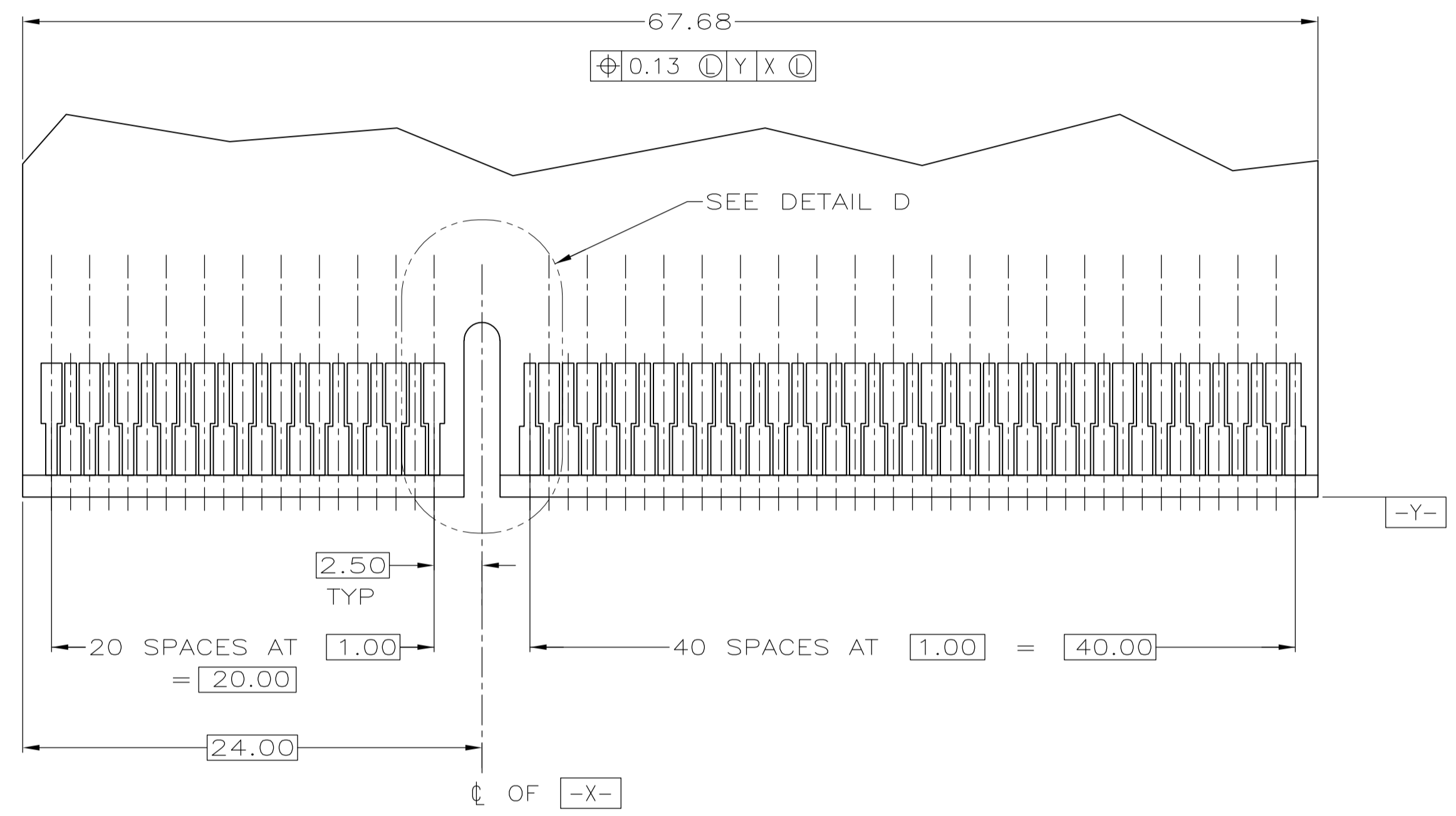
CUSTOMER DRAWING

THIS DRAWING IS UNPUBLISHED. RELEASED FOR PUBLICATION .19  
 BY AMP INCORPORATED. ALL RIGHTS RESERVED.

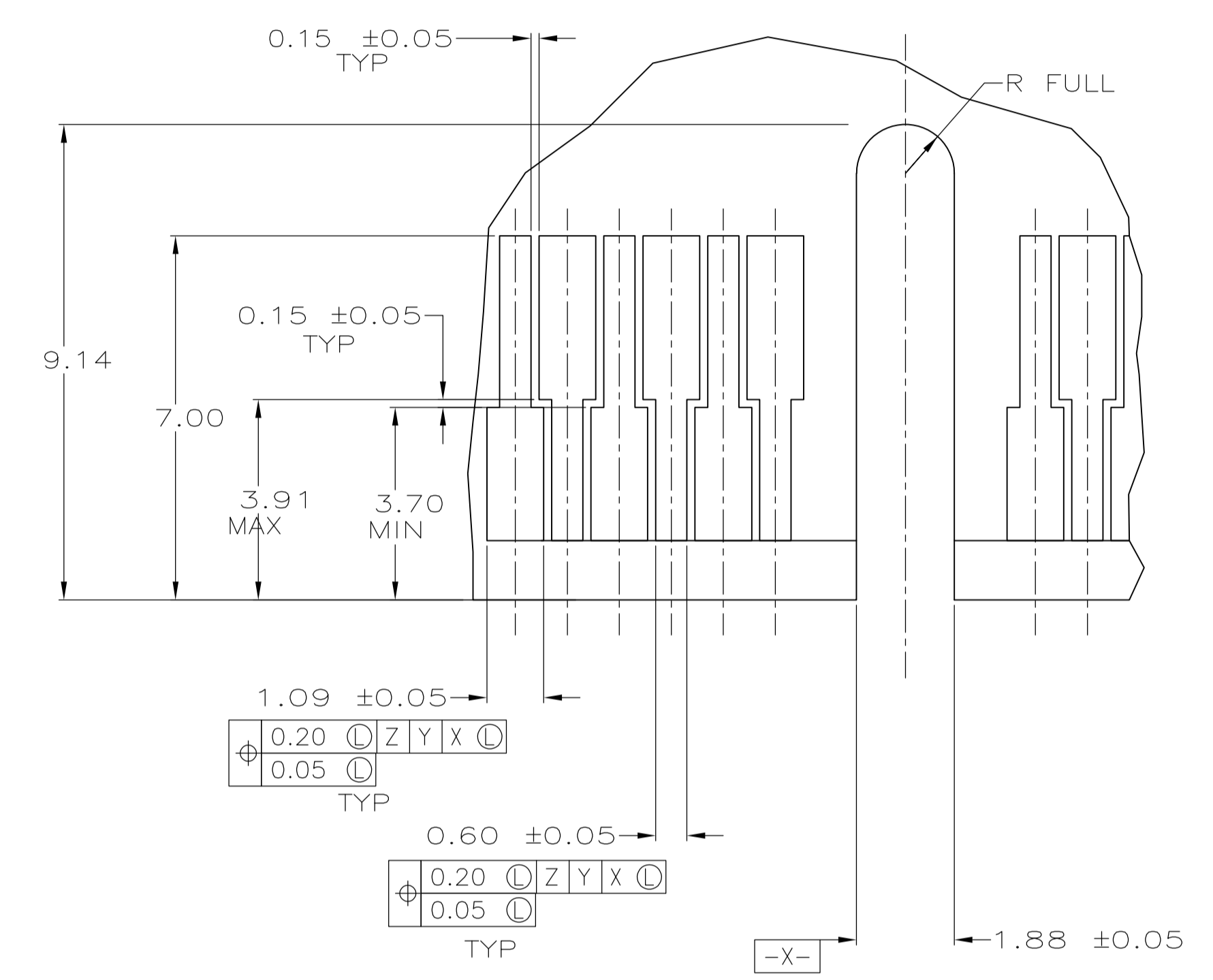
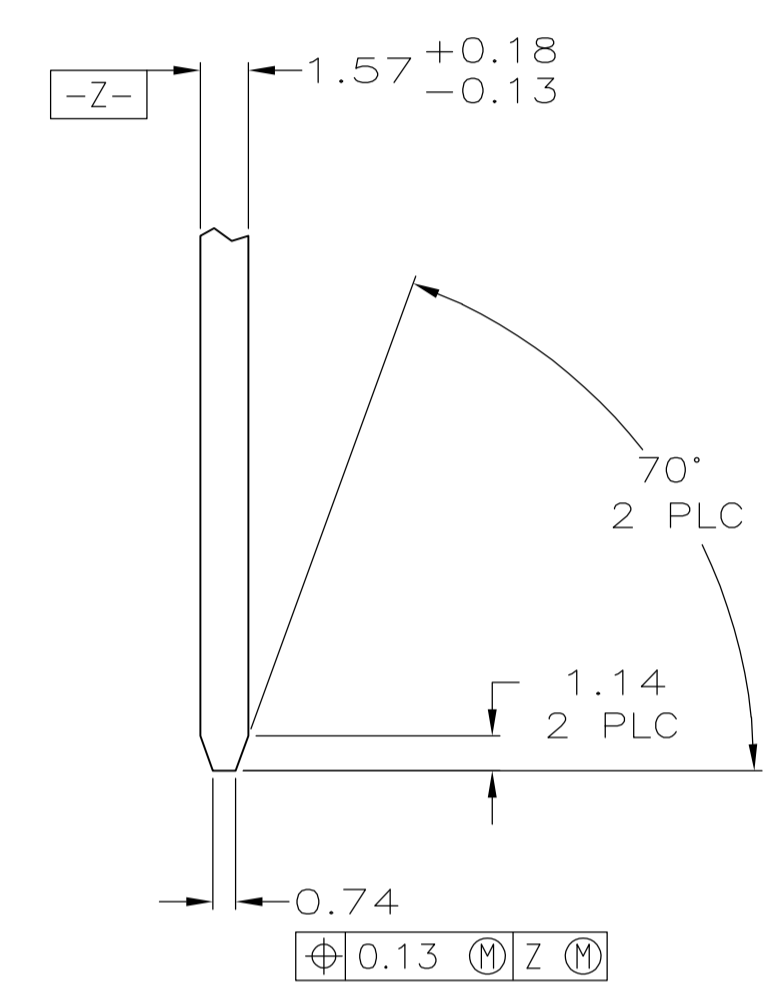
LOC	DIST	P	LTR	DESCRIPTION	DATE	DWN	APVD
AD	14	III		SEE SHEET 1	-	-	-



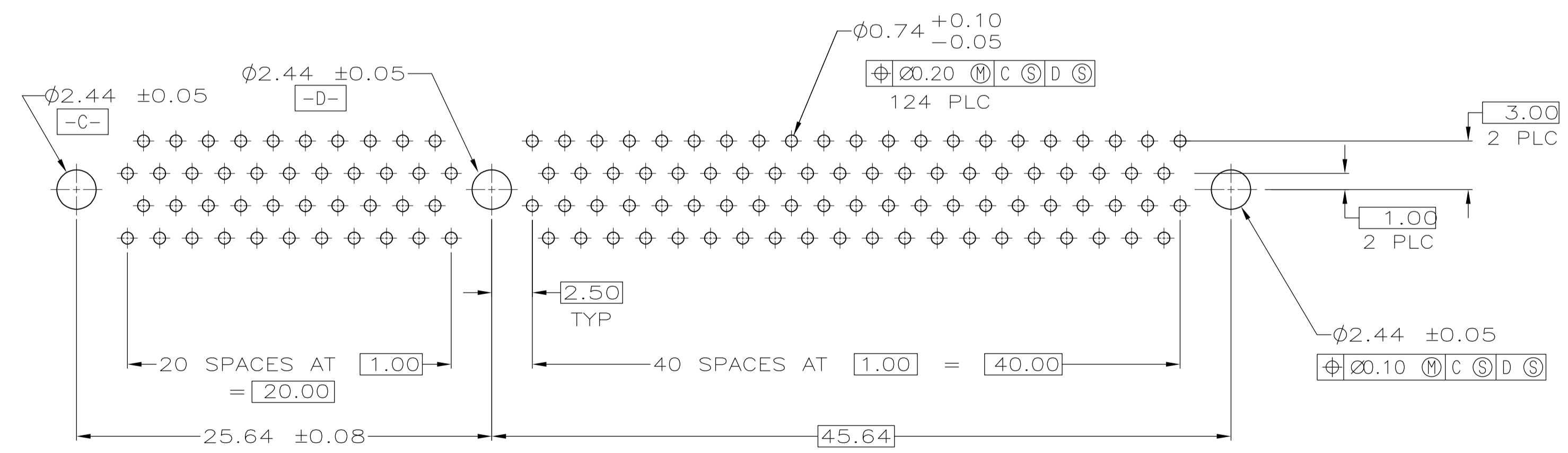
RECOMMENDED CONNECTOR MATING PAD PATTERN  
(SECONDARY SIDE SHOWN)



RECOMMENDED CONNECTOR MATING PAD PATTERN  
(PRIMARY SIDE SHOWN)



DETAIL D  
SCALE 10:1



RECOMMENDED CONNECTOR MOUNTING HOLE PATTERN  
(CONNECTOR SIDE SHOWN)

THIS DRAWING IS A CONTROLLED DOCUMENT.		DWN R. BROWN 1/7/97	AMP Incorporated Harrisburg, PA 17105-3608
DIMENSIONS: mm		CHK M. BOWERS 1/7/97	
TOLERANCES UNLESS OTHERWISE SPECIFIED:		APVD D. SARVER 1/7/97	NAME ASSEMBLY, 124 POSITION 1mm CARD EDGE CONNECTOR
0 PLC ±-	1 PLC ±-	PRODUCT SPEC	SIZE A1
2 PLC ±0.13	3 PLC ±-	APPLICATION SPEC	CAGE CODE 00779
4 PLC ±-	ANGLES ±2°	WEIGHT	DRAWING NO. 145263
MATERIAL	FINISH	CUSTOMER DRAWING	SCALE 4:1 SHEET 2 OF 2 REV III