



Chipsmall Limited consists of a professional team with an average of over 10 year of expertise in the distribution of electronic components. Based in Hongkong, we have already established firm and mutual-benefit business relationships with customers from,Europe,America and south Asia,supplying obsolete and hard-to-find components to meet their specific needs.

With the principle of “Quality Parts,Customers Priority,Honest Operation,and Considerate Service”,our business mainly focus on the distribution of electronic components. Line cards we deal with include Microchip,ALPS,ROHM,Xilinx,Pulse,ON,Everlight and Freescale. Main products comprise IC,Modules,Potentiometer,IC Socket,Relay,Connector.Our parts cover such applications as commercial,industrial, and automotives areas.

We are looking forward to setting up business relationship with you and hope to provide you with the best service and solution. Let us make a better world for our industry!



Contact us

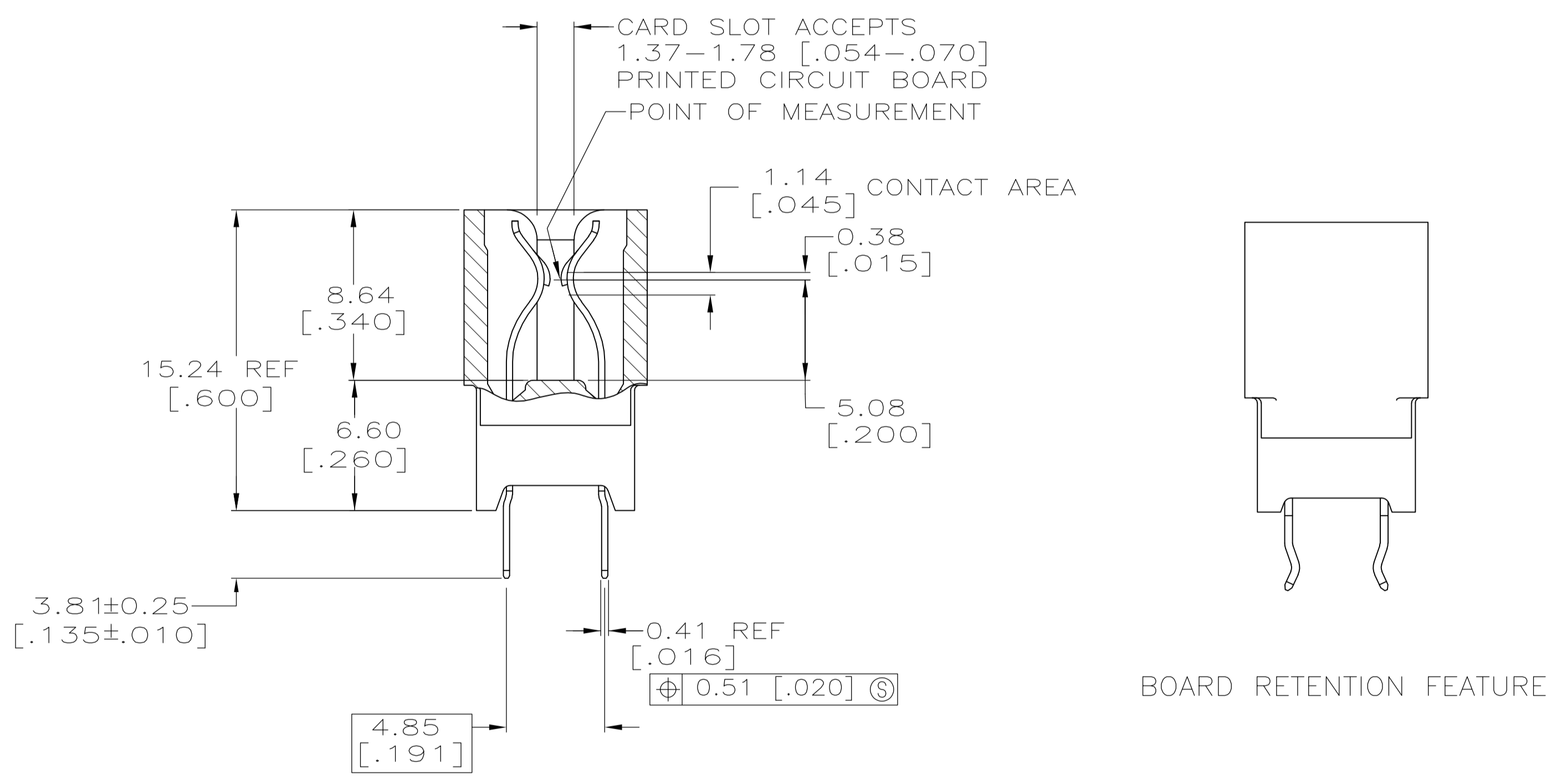
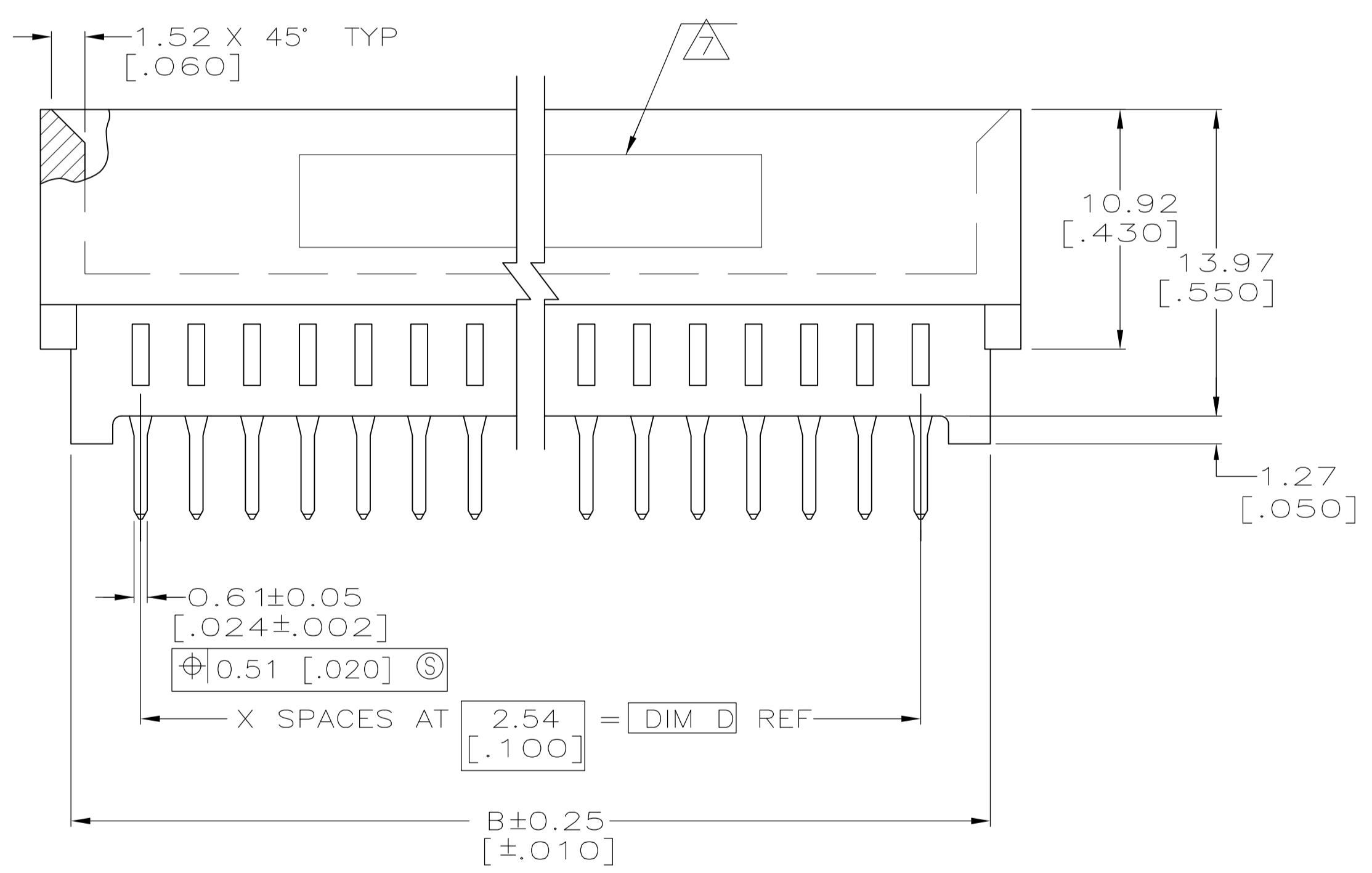
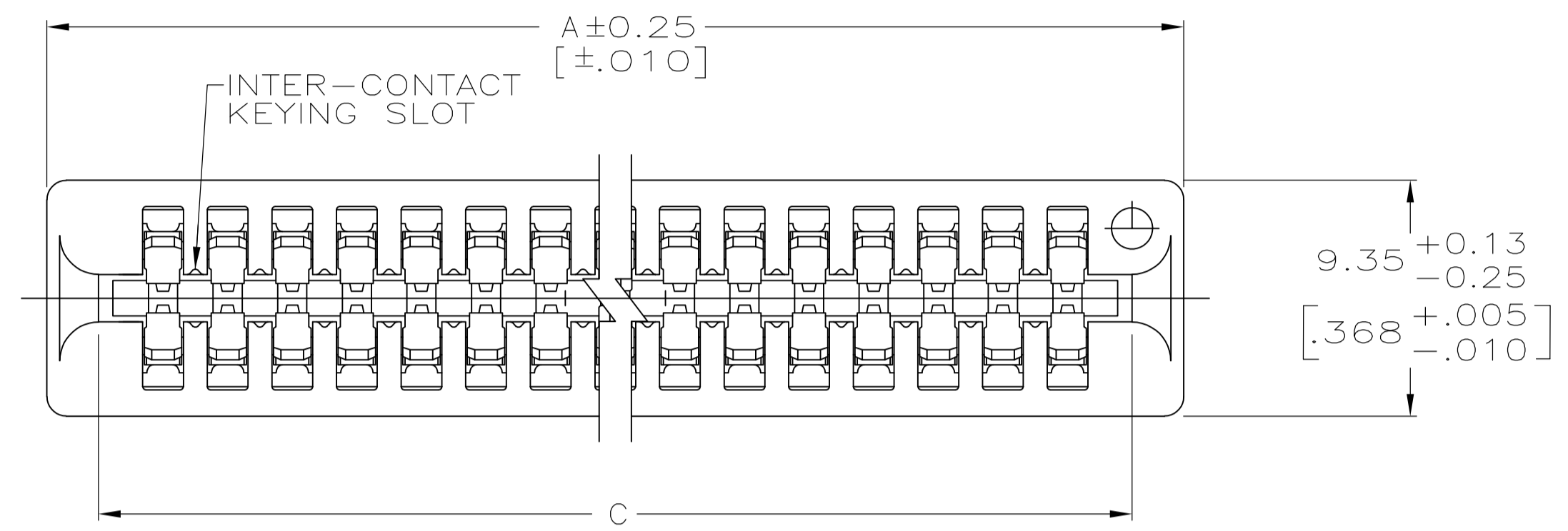
Tel: +86-755-8981 8866 Fax: +86-755-8427 6832

Email & Skype: info@chipsmall.com Web: www.chipsmall.com

Address: A1208, Overseas Decoration Building, #122 Zhenhua RD., Futian, Shenzhen, China



- ① HOUSING: GLASS FILLED POLYESTER; COLOR: BLACK.
- ② CONTACT: PHOSPHOR BRONZE.
- ③ NICKEL UNDERPLATE: 0.00127 [.000050] MIN - ALL OVER.
- ④ TIN-LEAD PLATE: 0.00254 [.000100] MIN - SOLDER POSTS.
- ⑤ GOLD PLATE: 0.00076 [.000030] MIN - CONTACT AREA.
- ⑥ NICKEL PLATE PER MIL-G-45204. GOLD PLATE PER QQ-N-290.
- △ TE PART NUMBER, DATE CODE AND CSA LOGO ARE MARKED IN APPROXIMATE AREA SHOWN, EITHER SIDE.
- 8. RECOMMENDED PCB FINISHED HOLE DIA: 1.02±0.08 [.040±.003].
- △ THE RETENTION FEATURE OF THIS CONNECTOR IS DESIGNED FOR FULL SEATING IN A .062±.008 THICK CIRCUIT BOARD, #119231-1 H.



3,4,23,24	30.48 [1.200]	35.56 [1.400]	36.83 [1.450]	39.62 [1.560]	12	13	145274-1
RETENTION FEATURE LOCATION	D	C	B	A	X	NO OF POSN	PART NUMBER

THIS DRAWING IS A CONTROLLED DOCUMENT.

DIMENSIONS: mm	TOLERANCES UNLESS OTHERWISE SPECIFIED:	DIN R BROWN 1/9/97	APVD S. FLICKINGER 09JUN2008	NAME M. PAVLOVICH	NAME S. FLICKINGER	TYCO ELECTRONICS	Tyco Electronics Corporation Harrisburg, Pa 17105-3608
0. PLC ± -	1. PLC ± -	2. PLC ± 0.13 [.005]	3. PLC ± -	4. PLC ± -	ANGLES ± °	PRODUCT SPEC 108-9039	APPLICATION SPEC 114-13018
MATERIAL	FINISH	SIZE A1	CAGE CODE 00779	DRAWING NO. 145274	RESTRICTED TO	WEIGHT	CUSTOMER DRAWING
		SCALE 4:1	SHEET 1 OF 1	REV H			