



Chipsmall Limited consists of a professional team with an average of over 10 year of expertise in the distribution of electronic components. Based in Hongkong, we have already established firm and mutual-benefit business relationships with customers from,Europe,America and south Asia,supplying obsolete and hard-to-find components to meet their specific needs.

With the principle of “Quality Parts,Customers Priority,Honest Operation,and Considerate Service”,our business mainly focus on the distribution of electronic components. Line cards we deal with include Microchip,ALPS,ROHM,Xilinx,Pulse,ON,Everlight and Freescale. Main products comprise IC,Modules,Potentiometer,IC Socket,Relay,Connector.Our parts cover such applications as commercial,industrial, and automotives areas.

We are looking forward to setting up business relationship with you and hope to provide you with the best service and solution. Let us make a better world for our industry!



Contact us

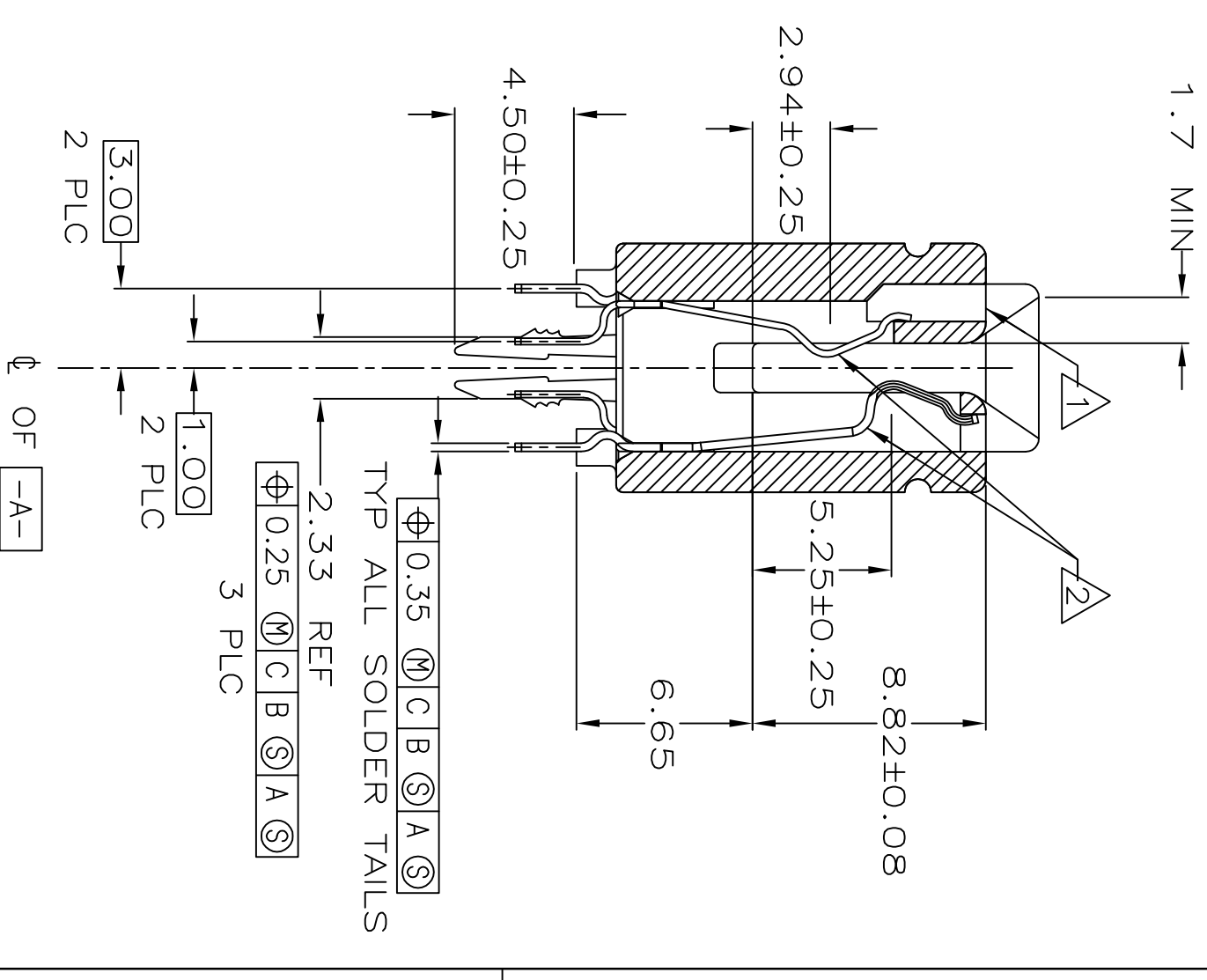
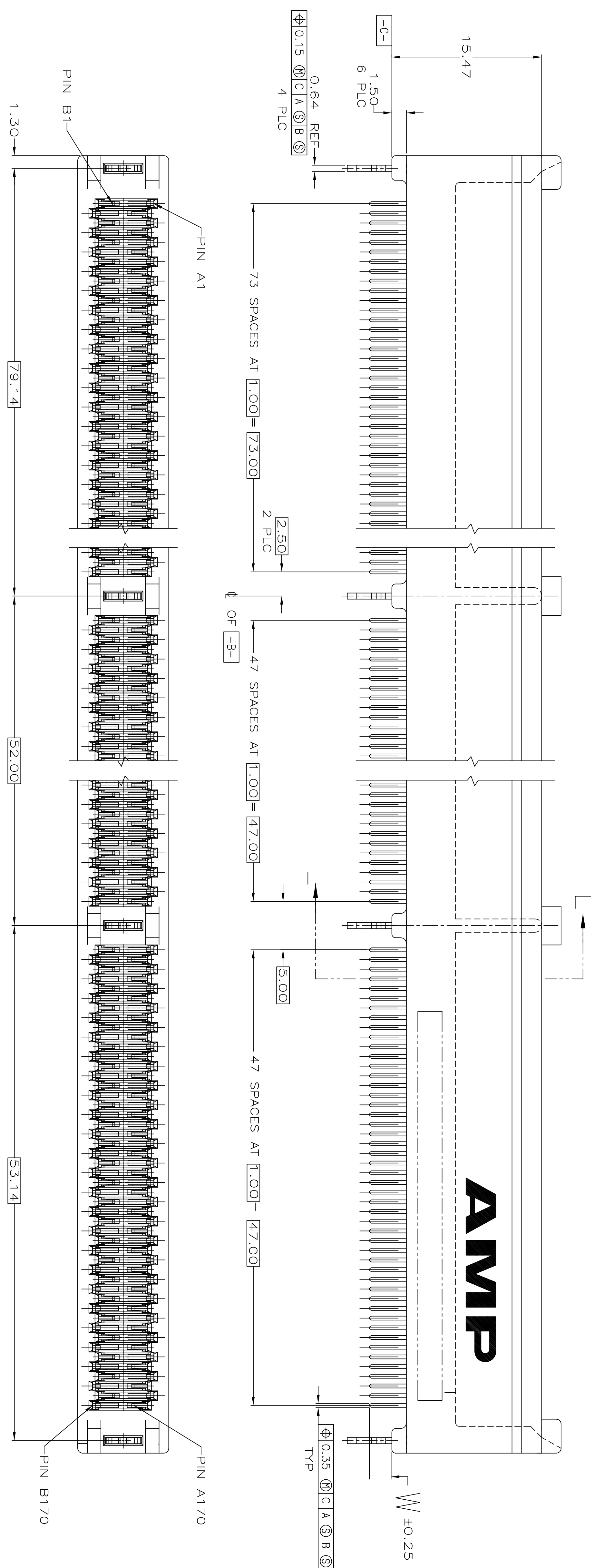
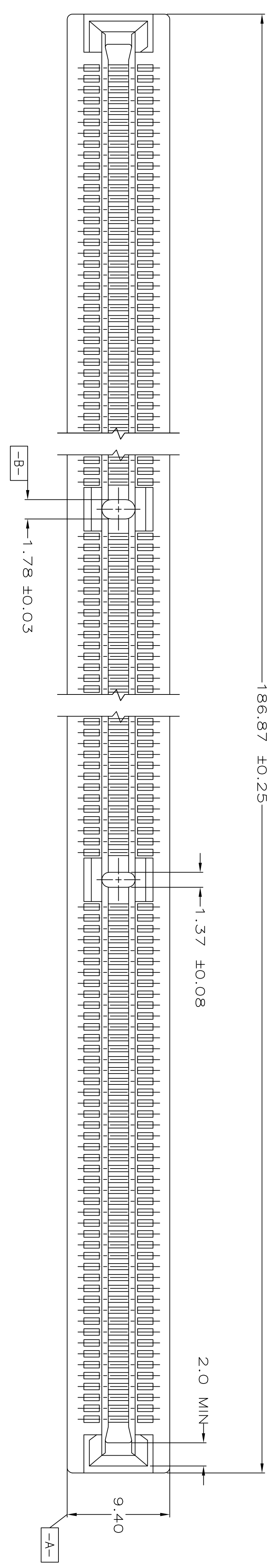
Tel: +86-755-8981 8866 Fax: +86-755-8427 6832

Email & Skype: info@chipsmall.com Web: www.chipsmall.com

Address: A1208, Overseas Decoration Building, #122 Zhenhua RD., Futian, Shenzhen, China



REV	DATE	BY	APP'D	DESCRIPTION
0	1/7/97	RB	MB	PRODUCT RELEASE
A	2/3/97	RB	MB	REVISED PER 0430-0045-97
B	8/14/97	RB	MB	REVISED PER 0430-0286-97
C	11/12/97	RB	MB	REVISED PER 0430-0435-97
D	4/20/98	RB	DD	REVISED PER 0G51-0045-98
E	8/4/98	RB	DD	REVISED PER 0G51-0107-98
F	01/17/99	NM	EL	REV PER EC 0G51-0226-98
G	01/20/99	NM	DD	REV PER EC 0G51-0294-98
H	05/17/99	NM	EL	REV PER 0G51-0062-99
H1	13AUN10	KK	AEG	REV PER ECO-10-000443
J	06REC10	AZ	MW	REVISED ECR-10-002742



- △ MATERIAL: HOUSING, THERMOPLASTIC, COLOR: BROWN.
CONTACTS, PHOSPHOR BRONZE.
HOLD-DOWNS, BRASS.
- △ FINISH: CONTACTS, 1.27 MIN. MICROMETERS GOLD ALL OVER,
0.38 MIN. MICROMETERS GOLD OVER NICKEL IN CONTACT AREA,
2.54 MIN MICROMETERS TIN-LEAD OVER NICKEL ON SOLDER TAILS.
- △ FINISH: CONTACTS, 1.27 MIN. MICROMETERS NICKEL ALL OVER,
0.0254-0.0762 MICROMETERS GOLD OVER NICKEL IN CONTACT AREA,
2.54 MIN. MICROMETERS TIN-LEAD OVER NICKEL ON SOLDER TAILS.
- △ OBSOLETE PARTS: OBSOLETE CIS STREAMLINING PER D.RENAUD/D.SINISI

REV	DATE	BY	APP'D	DESCRIPTION
△	3-18	145275-6		OBSOLETE
△	2-54	145275-5		OBSOLETE
△	3-18	145275-3		OBSOLETE
△	2-54	145275-2		OBSOLETE
△	2-16	145275-1		OBSOLETE

THIS DRAWING IS A CONTROLLED DOCUMENT.

DATE: 1/7/97

BY: R. BROWN

APP'D: M. BOWERS

AMP Incorporated
Harrisburg, PA 17105-3608

ASSEMBLY, 340 POSITION
1mm, CARD EDGE CONNECTOR

SIZE: A1

DATE CODE: 00779

DRAWING NO: 145275

SCALE: 4:1

SHEET: 1 OF 2

REV: J

