



Chipsmall Limited consists of a professional team with an average of over 10 year of expertise in the distribution of electronic components. Based in Hongkong, we have already established firm and mutual-benefit business relationships with customers from,Europe,America and south Asia,supplying obsolete and hard-to-find components to meet their specific needs.

With the principle of “Quality Parts,Customers Priority,Honest Operation,and Considerate Service”,our business mainly focus on the distribution of electronic components. Line cards we deal with include Microchip,ALPS,ROHM,Xilinx,Pulse,ON,Everlight and Freescale. Main products comprise IC,Modules,Potentiometer,IC Socket,Relay,Connector.Our parts cover such applications as commercial,industrial, and automotives areas.

We are looking forward to setting up business relationship with you and hope to provide you with the best service and solution. Let us make a better world for our industry!



## Contact us

Tel: +86-755-8981 8866 Fax: +86-755-8427 6832

Email & Skype: info@chipsmall.com Web: www.chipsmall.com

Address: A1208, Overseas Decoration Building, #122 Zhenhua RD., Futian, Shenzhen, China



4

3

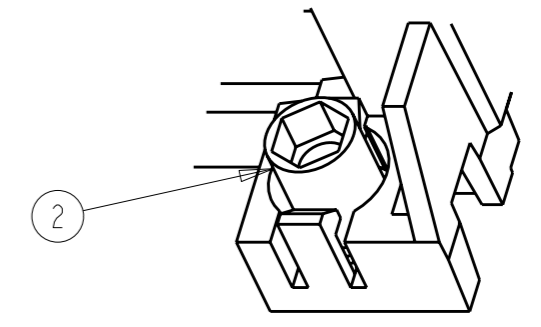
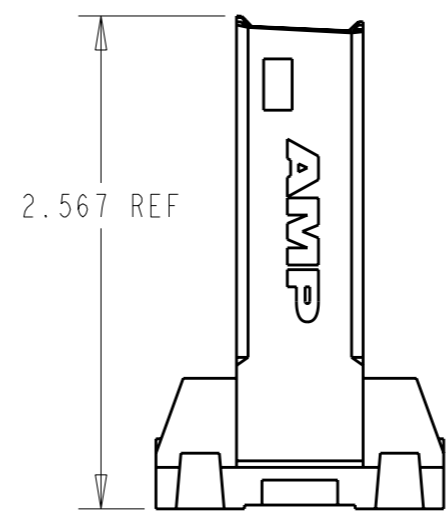
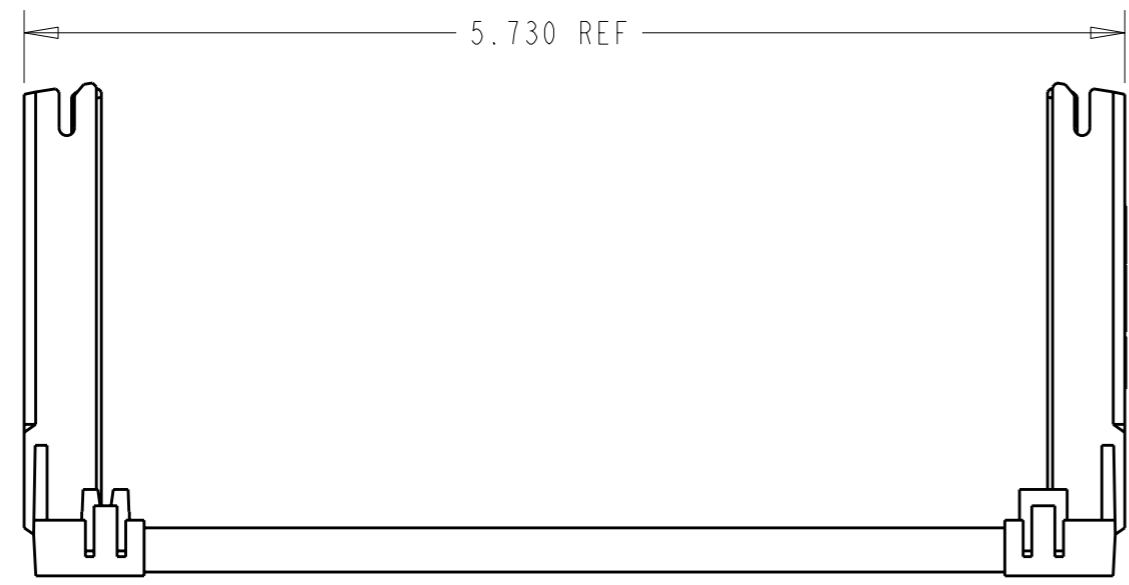
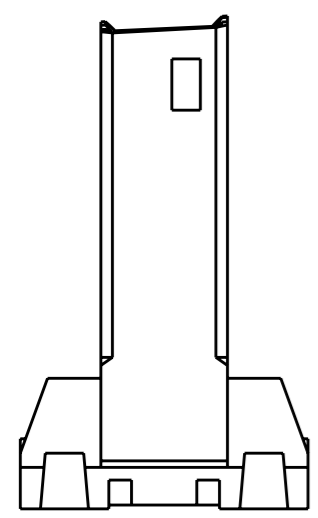
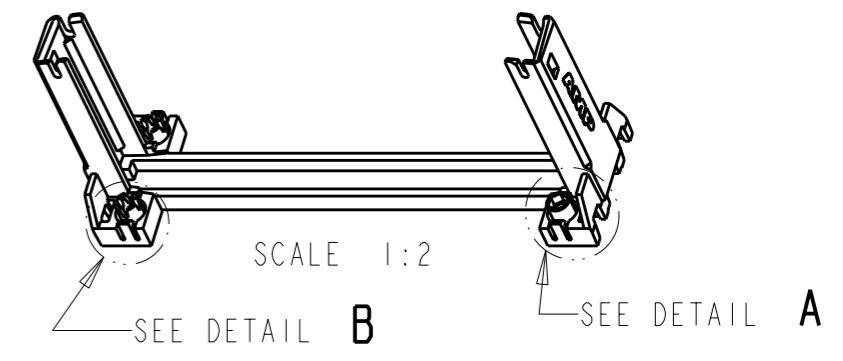
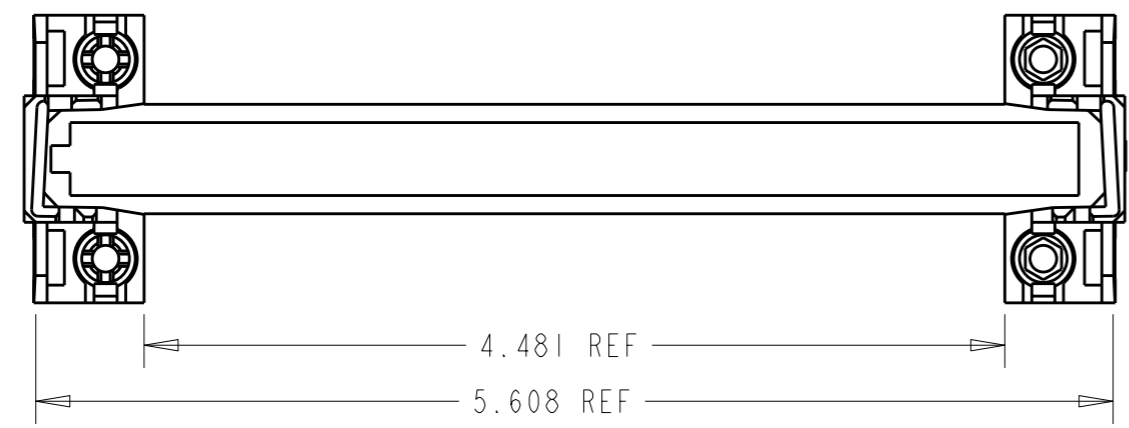
2

1

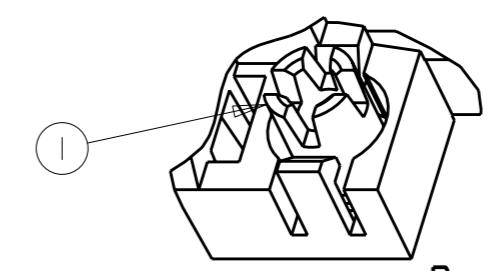
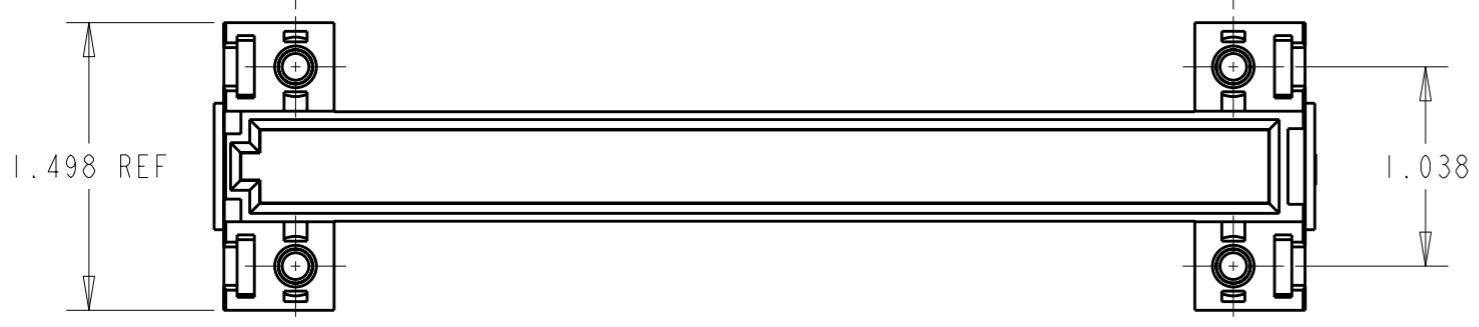
THIS DRAWING IS UNPUBLISHED. RELEASED FOR PUBLICATION .19 .

© COPYRIGHT 19 BY AMP INCORPORATED. ALL RIGHTS RESERVED.

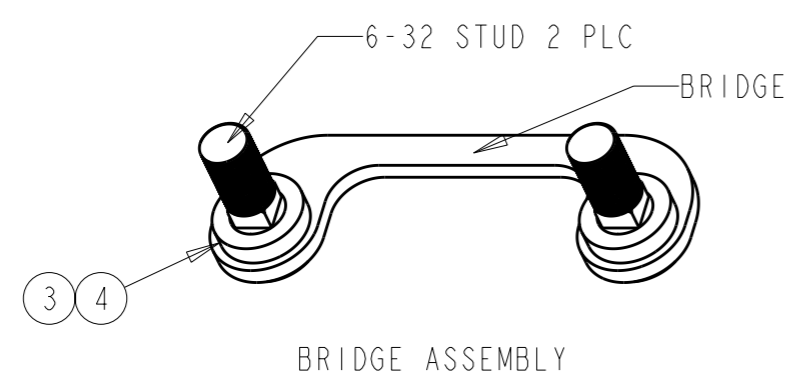
LOC	DIST	REVISIONS				
P	LTR	DESCRIPTION	DATE	DWN	APVD	
AD	12	0	RELEASED	30OCT97	MK I JS	
		01	REVISED PER ECO-09-027197	10DEC09	KK AEG	



DETAIL A  
SCALE 2:1



DETAIL B  
SCALE 2:1



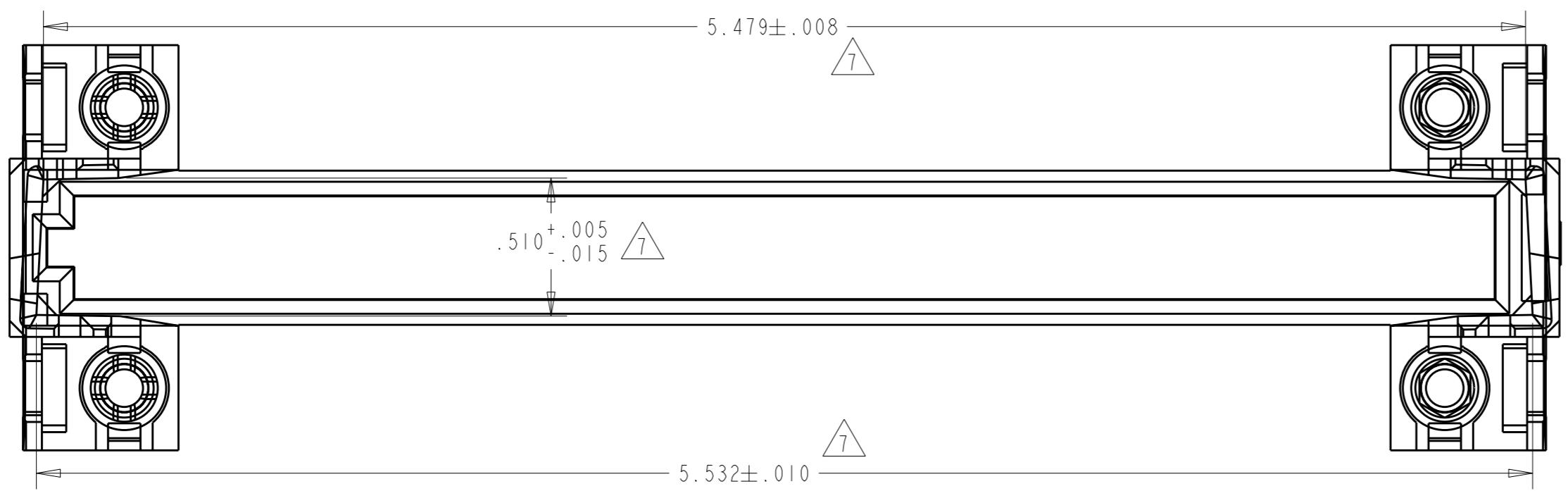
BRIDGE ASSEMBLY

<small>THIS DRAWING IS A CONTROLLED DOCUMENT FOR AMP INCORPORATED. IT IS SUBJECT TO CHANGE AND THE CONTROLLING ENGINEERING ORGANIZATION SHOULD BE CONTACTED FOR THE LATEST REVISION.</small>		DWN E. E. BERKEBILE 19 JUNE 97	<b>AMP</b> AMP Incorporated Harrisburg, PA 17105-3608	
DIMENSIONS: INCHES	TOLERANCES UNLESS OTHERWISE SPECIFIED: 0 PLC ±- 1 PLC ±- 2 PLC ±- 3 PLC ±0.005 4 PLC ±- ANGLES ±-	CHK - APVD - PRODUCT SPEC - APPLICATION SPEC - WEIGHT -	NAME ASSEMBLY RETENTION MODULE WITH CAPTIVE NUTS	
MATERIAL 	FINISH -	SIZE A3 CAGE CODE 00779 DRAWING NO. C-145286	RESTRICTED TO -	
CUSTOMER DRAWING		SCALE 1:1	SHEET 1 OF 2	REV 01

THIS DRAWING IS UNPUBLISHED. RELEASED FOR PUBLICATION .19 .  
 © COPYRIGHT 19 BY AMP INCORPORATED. ALL RIGHTS RESERVED.

LOC	DIST	REVISIONS			
P	LTR	DESCRIPTION	DATE	DWN	APVD
		SEE SHEET 1	-	-	-

- 1 RETENTION MODULE MATERIAL: POLYCARBONATE, COLOR; BLACK
- 2 BRIDGE ASSEMBLIES ARE LOOSE PIECE IN KIT P/N.
- 3. HARDWARE COMPONENT MATERIAL: BRASS-COPPER ALLOY.
- 4. BRIDGE MATERIAL: NYLON, COLOR; BLACK.
- 5. RECOMMENDED TORQUE VALUE: 8 INCH POUNDS.
- 6 AMP ADVANCED PART NUMBER 145286 (REF)
- 7 DIMENSIONS TO BE MEASURED IN RESTRAINED STATE.



SCALE 2:1

8 OBSOLETE PARTS: OBSOLETE CIS STREAMLINING PER D.RENAUD/D.SINISI

8 OBSOLETE	2	145286-2 WITH TWO BRIDGE ASSY'S	145286-4	4
8 OBSOLETE	2	145286-1 WITH TWO BRIDGE ASSY'S	145286-3	3
	1	RM WITH FOUR 3/16 HEX CAPTIVE NUTS	145286-2	2
	1	RM WITH FOUR SLOTTED CAPTIVE NUTS	145286-1	1
NOTES		DESCRIPTION	P/N	ITEM

<small>THIS DRAWING IS A CONTROLLED DOCUMENT FOR AMP INCORPORATED. IT IS SUBJECT TO CHANGE AND THE CONTROLLING ENGINEERING ORGANIZATION SHOULD BE CONTACTED FOR THE LATEST REVISION.</small>		DWN 19 JUNE 97 E.E. BERKEBILE	AMP Incorporated Harrisburg, PA 17105-3608
DIMENSIONS: INCHES	TOLERANCES UNLESS OTHERWISE SPECIFIED: 0 PLC ±- 1 PLC ±- 2 PLC ±- 3 PLC ±0.005 4 PLC ±- ANGLES ±-	PRODUCT SPEC APPLICATION SPEC WEIGHT -	
MATERIAL -	FINISH -	CUSTOMER DRAWING	SIZE A3 CAGE CODE 00779 DRAWING NO C-145286 RESTRICTED TO - SCALE 1:1 SHEET 2 OF 2 REV 01