



Chipsmall Limited consists of a professional team with an average of over 10 year of expertise in the distribution of electronic components. Based in Hongkong, we have already established firm and mutual-benefit business relationships with customers from,Europe,America and south Asia,supplying obsolete and hard-to-find components to meet their specific needs.

With the principle of “Quality Parts,Customers Priority,Honest Operation,and Considerate Service”,our business mainly focus on the distribution of electronic components. Line cards we deal with include Microchip,ALPS,ROHM,Xilinx,Pulse,ON,Everlight and Freescale. Main products comprise IC,Modules,Potentiometer,IC Socket,Relay,Connector.Our parts cover such applications as commercial,industrial, and automotives areas.

We are looking forward to setting up business relationship with you and hope to provide you with the best service and solution. Let us make a better world for our industry!



## Contact us

Tel: +86-755-8981 8866 Fax: +86-755-8427 6832

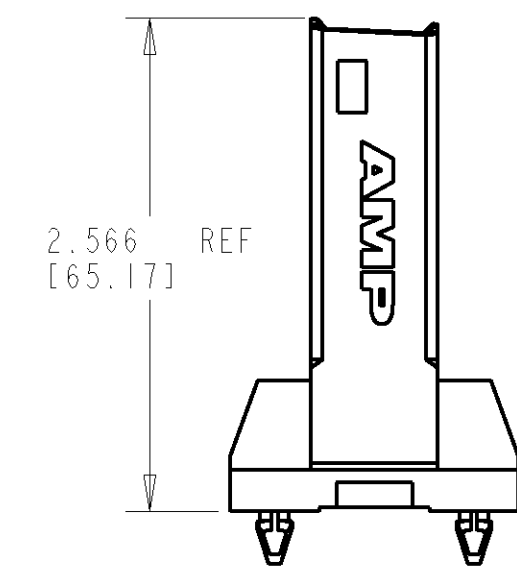
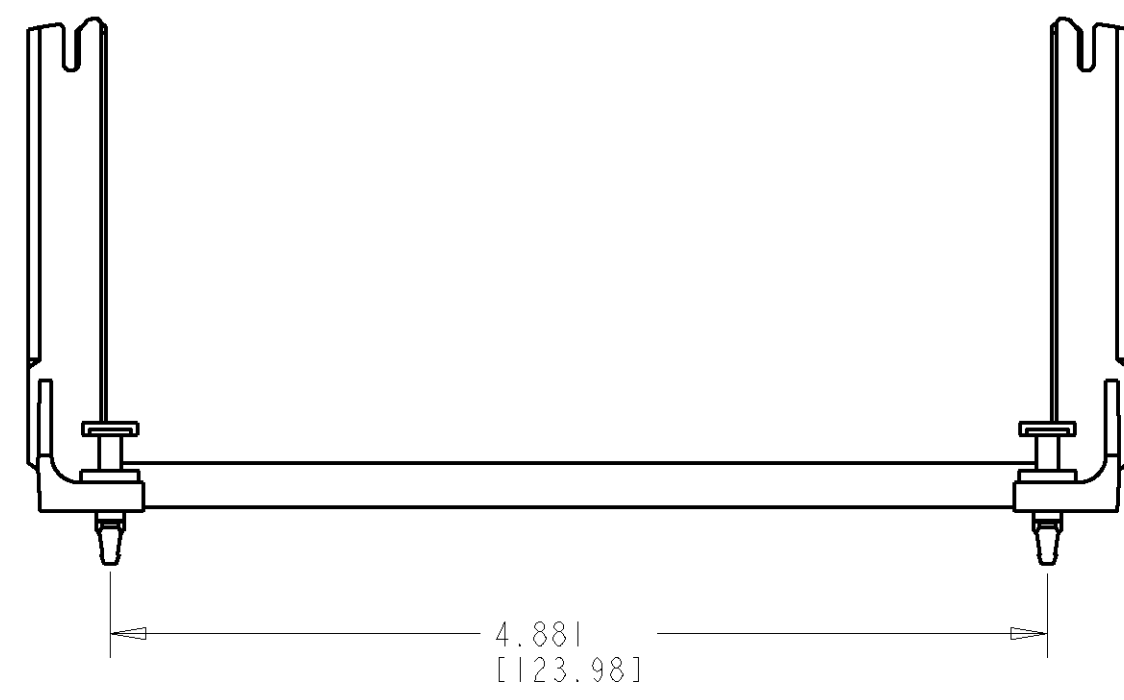
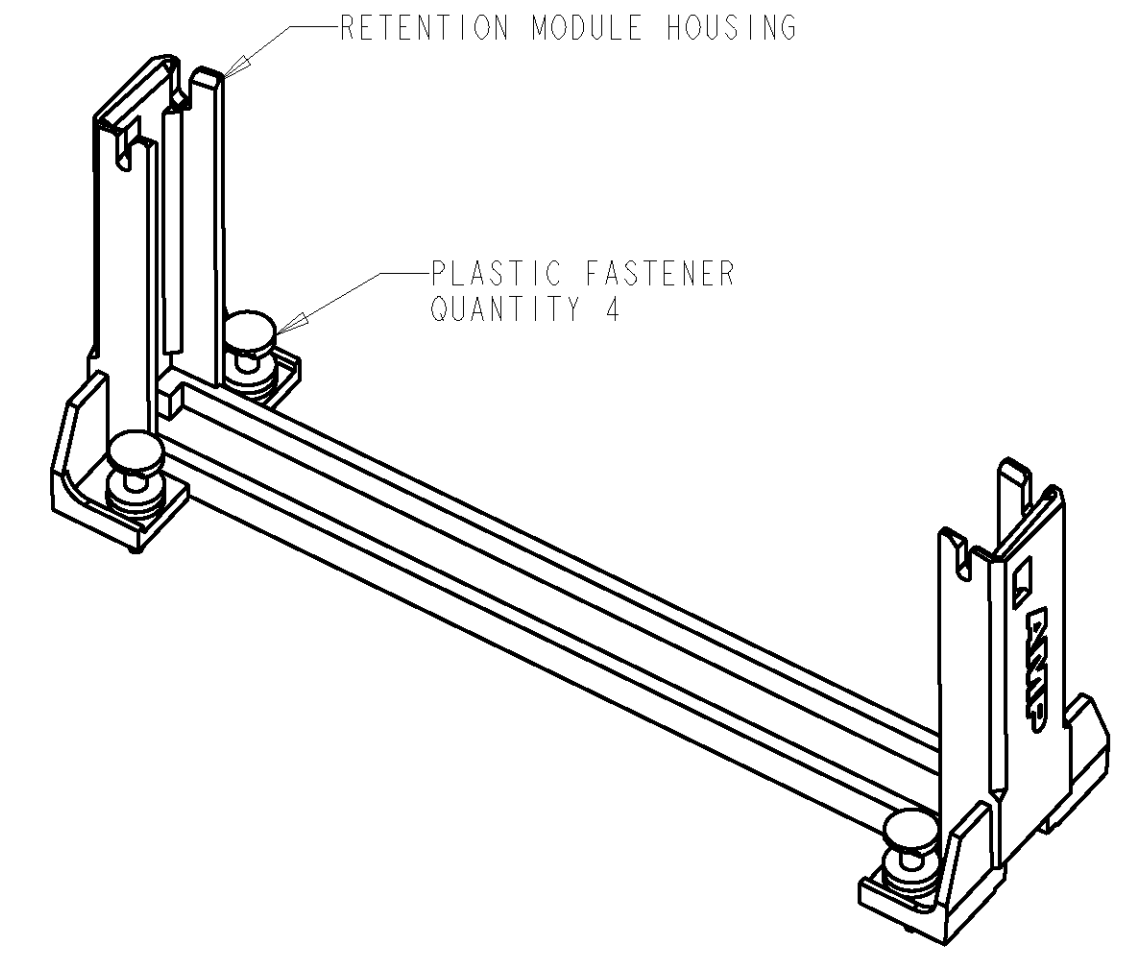
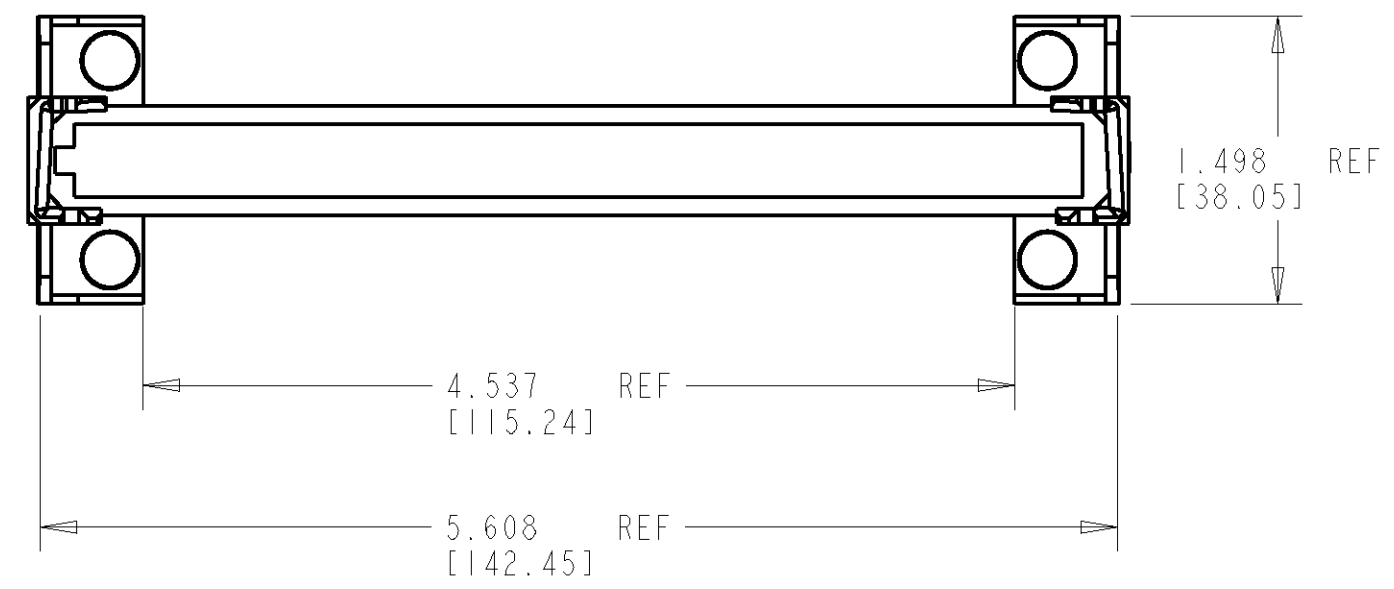
Email & Skype: info@chipsmall.com Web: www.chipsmall.com

Address: A1208, Overseas Decoration Building, #122 Zhenhua RD., Futian, Shenzhen, China

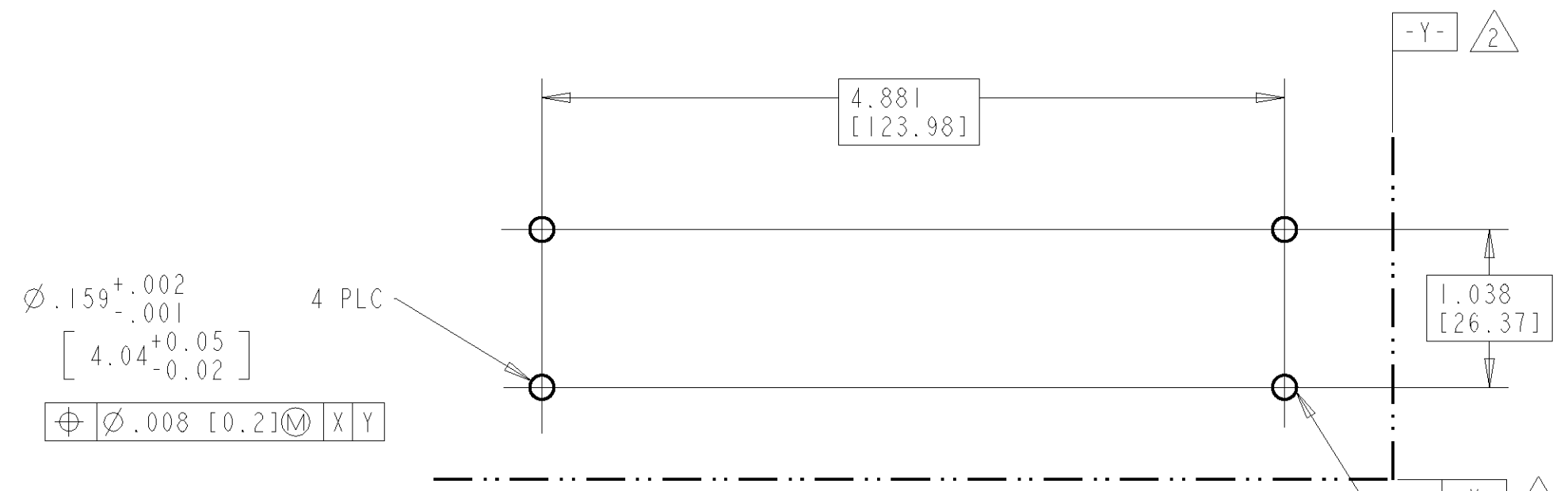


THIS DRAWING IS UNPUBLISHED. RELEASED FOR PUBLICATION .19  
 © COPYRIGHT 19 BY AMP INCORPORATED. ALL RIGHTS RESERVED.

LOC	DIST	REVISIONS					
		F	LTR	DESCRIPTION	DATE	DWN	APVD
AD	14		O	RELEASED	15MAY98	AV	VR
			A	REVISED PER EC 0G51-0117-98	31JUL98	AV	VR



- 1 HOUSING MATERIAL: UL 94VO RATED POLYCARBONATE, COLOR: BLACK. BOARDLOCK MATERIAL: NYLON.
- 2 DATUMS AND HOLE DIAMETER TO BE DETERMINED BY CUSTOMER.



RECOMMENDED PC BOARD LAYOUT  
 RECOMMENDED THICKNESS .062±.006 [1.57±.15]  
 SCALE 1:1

RETENTION MODULE W/ PLASTIC FASTENERS	145327-1
DESCRIPTION	PART NO.

THIS DRAWING IS A CONTROLLED DOCUMENT FOR AMP INCORPORATED. IT IS SUBJECT TO CHANGE AND THE CONTROLLING ENGINEERING ORGANIZATION SHOULD BE CONTACTED FOR THE LATEST REVISION.		DWN R BROWN 27FEB98	AMP Incorporated Harrisburg, PA 17105-3608	
DIMENSIONS: INCHES [mm]		CHK A VASBINDER 27FEB98	NAME INTEGRATED RETENTION MODULE W/ PLASTIC FASTENERS	
TOLERANCES UNLESS OTHERWISE SPECIFIED: 0 PLC ± 1 PLC ± 2 PLC ±.01 3 PLC ±.005 4 PLC ± ANGLES ±1 FINISH -		APVD V RUMINSKI 27FEB98	PRODUCT SPEC 108-1826	
MATERIAL 1		APPLICATION SPEC -	SIZE A2	RESTRICTED TO -
CUSTOMER DRAWING		WEIGHT -	CAGE CODE 00779	DRAWING NO. G-145327
SCALE		SHEET		OF
				REV A