



Chipsmall Limited consists of a professional team with an average of over 10 year of expertise in the distribution of electronic components. Based in Hongkong, we have already established firm and mutual-benefit business relationships with customers from,Europe,America and south Asia,supplying obsolete and hard-to-find components to meet their specific needs.

With the principle of "Quality Parts,Customers Priority,Honest Operation,and Considerate Service",our business mainly focus on the distribution of electronic components. Line cards we deal with include Microchip,ALPS,ROHM,Xilinx,Pulse,ON,Everlight and Freescale. Main products comprise IC,Modules,Potentiometer,IC Socket,Relay,Connector.Our parts cover such applications as commercial,industrial, and automotives areas.

We are looking forward to setting up business relationship with you and hope to provide you with the best service and solution. Let us make a better world for our industry!



Contact us

Tel: +86-755-8981 8866 Fax: +86-755-8427 6832

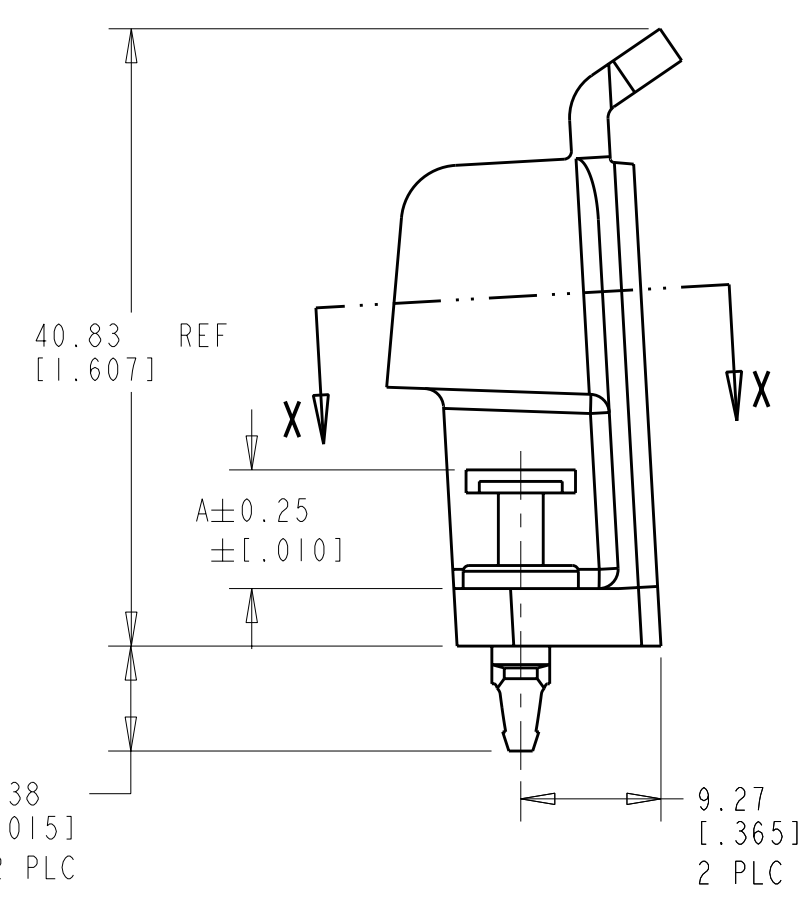
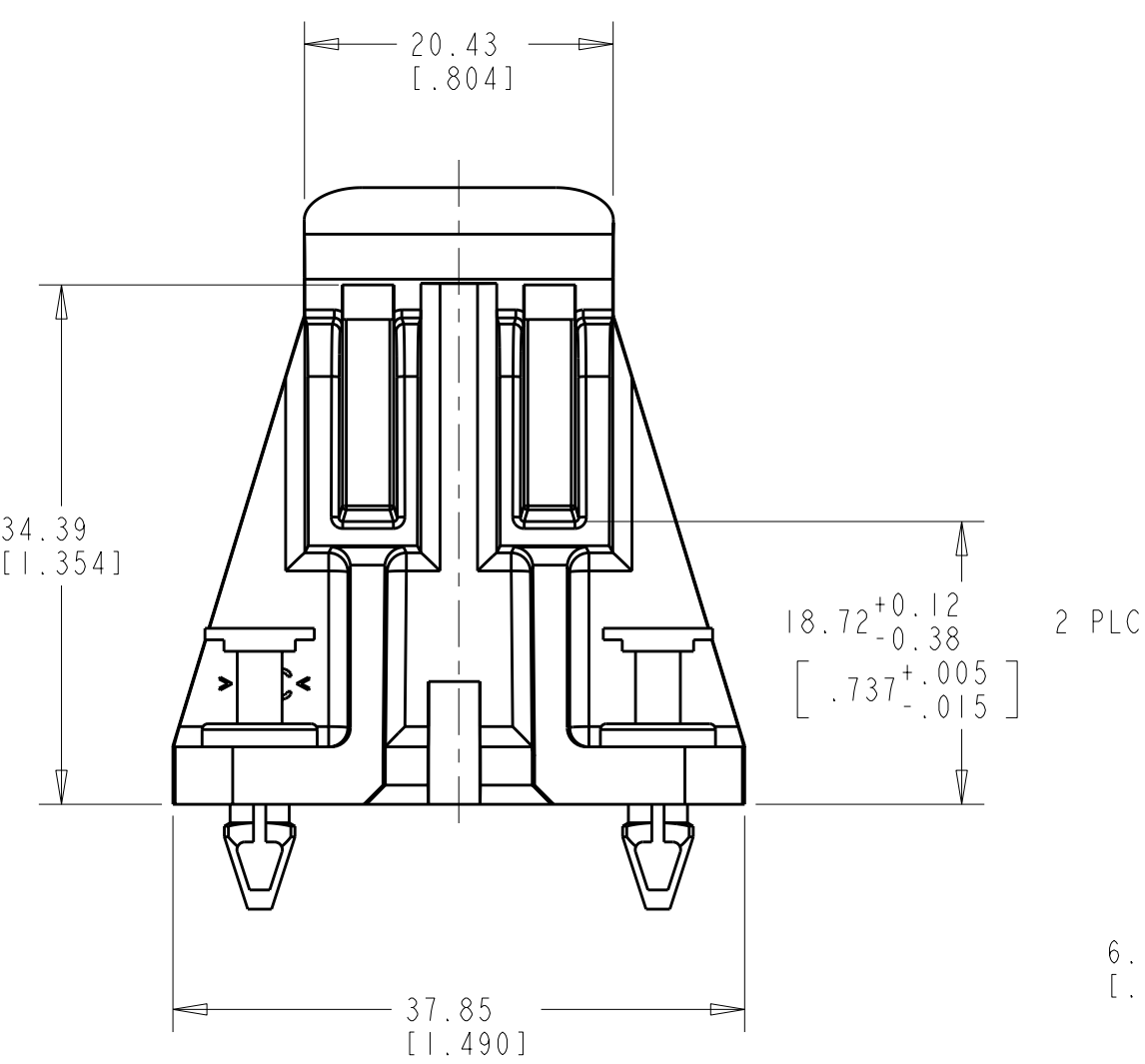
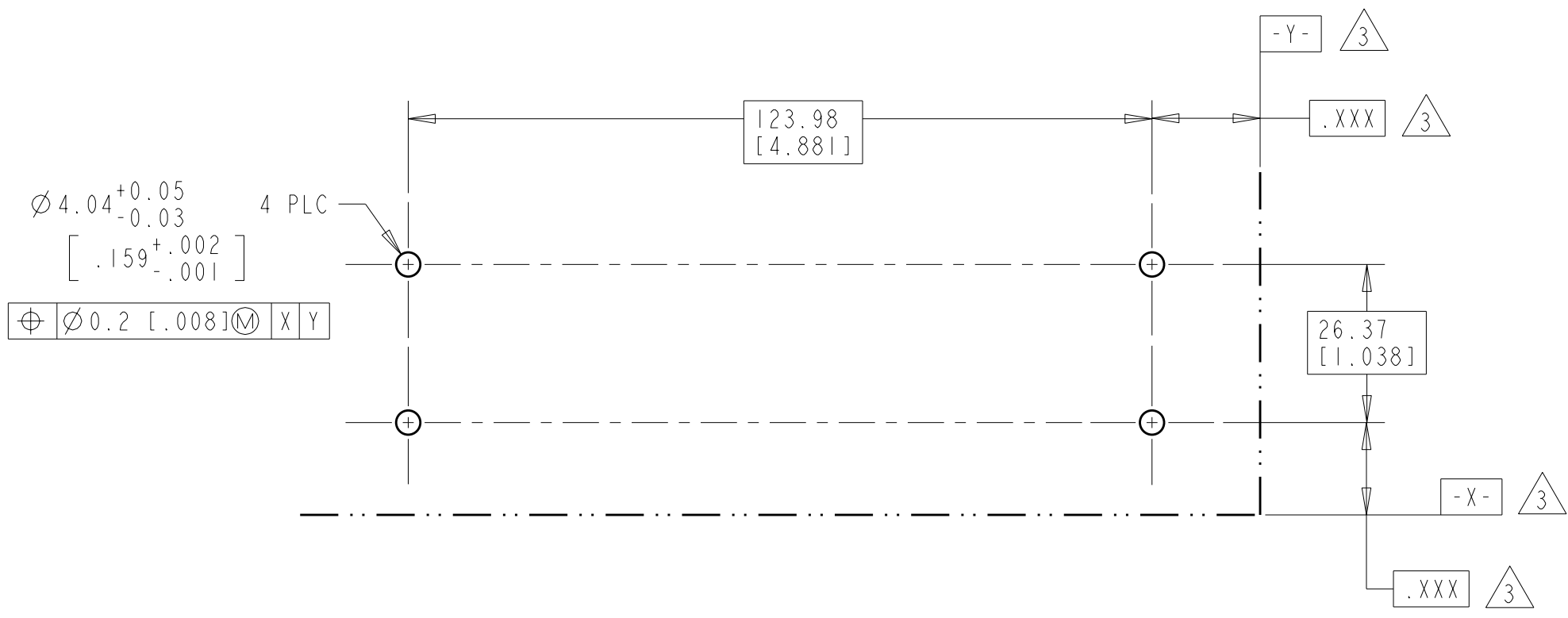
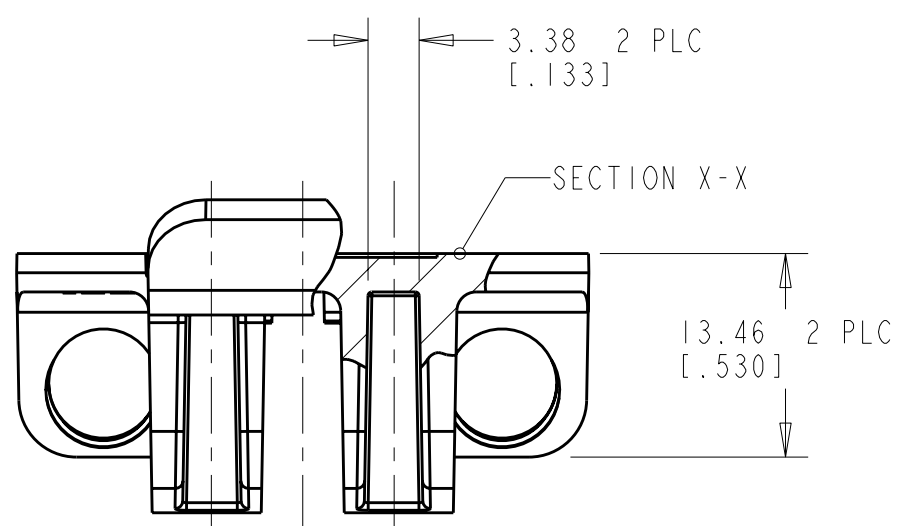
Email & Skype: info@chipsmall.com Web: www.chipsmall.com

Address: A1208, Overseas Decoration Building, #122 Zhenhua RD., Futian, Shenzhen, China

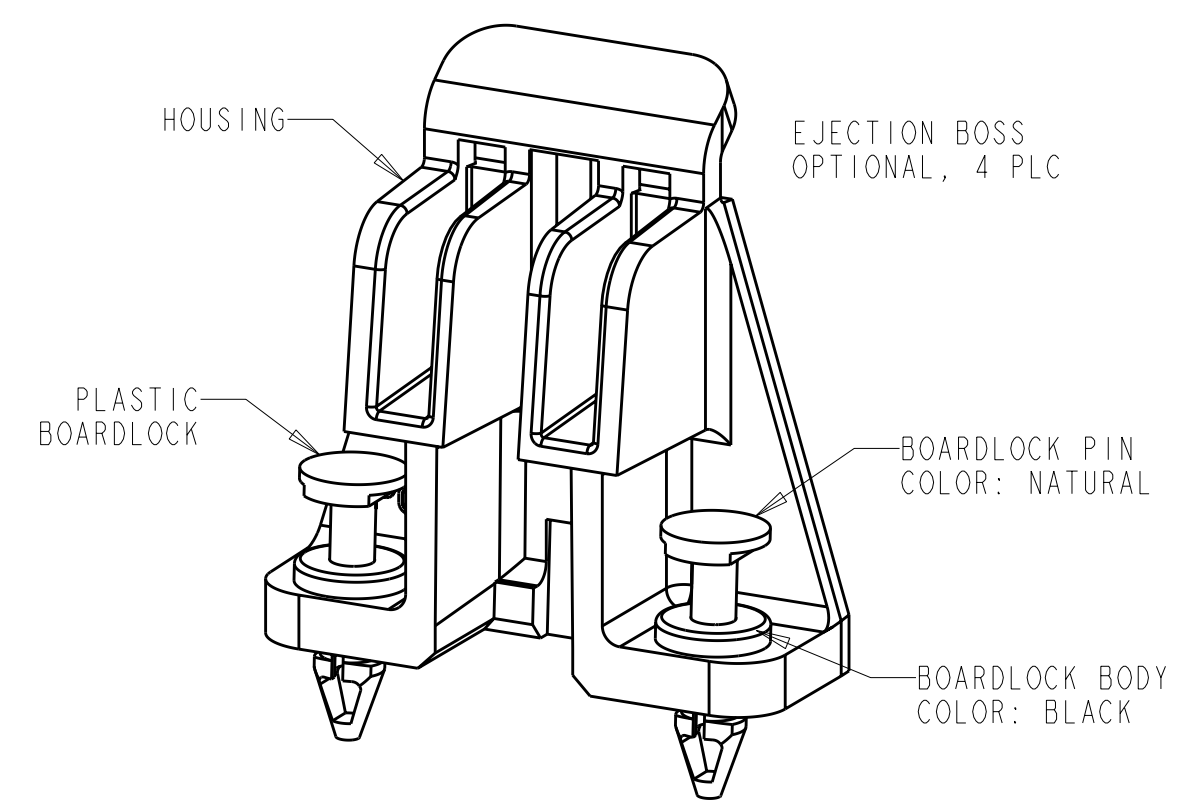


THIS DRAWING IS UNPUBLISHED. RELEASED FOR PUBLICATION .19
 © COPYRIGHT 19 BY AMP INCORPORATED. ALL RIGHTS RESERVED.

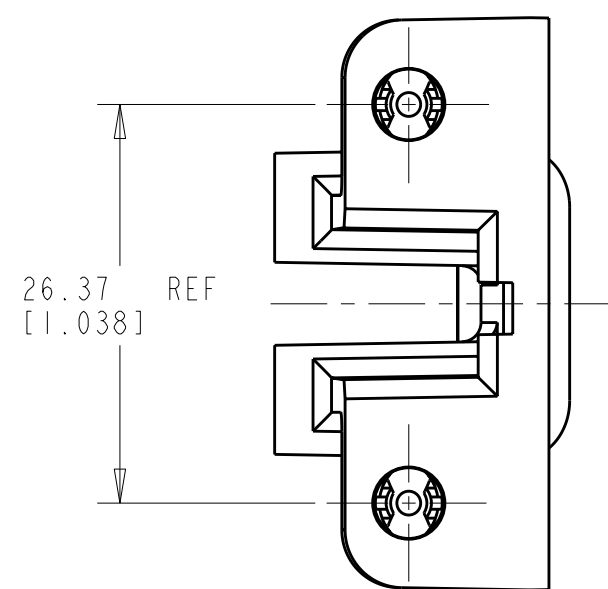
LOC	DIST	REVISIONS			
F	LTR	DESCRIPTION	DATE	DWN	APVD
A		REVISED PER EC 0651-0060-98	15MAY98	AV	VR
B		REVISED PER EC 0651-0114-98	16JUL98	AV	VR
C		REVISED PER EC 0S1B-0129-99	09DEC99	JG	MB
CI		REVISED PER ECO-09-027197	10DEC2009	KK	AEG



RECOMMENDED PC BOARD LAYOUT $\Delta 2$
 SCALE 1:1



MODULE



- $\Delta 1$ MATERIAL:
 HOUSING- UL 94-VO RATED POLYCARBONATE. COLOR: BLACK.
 PLASTIC BOARDLOCK- NYLON.
- $\Delta 2$ RECOMMENDED PC BOARD THICKNESS OF 1.57±0.15[.062±.006].
- $\Delta 3$ DATUM AND BASIC DIMENSIONS ESTABLISHED BY CUSTOMER.
- $\Delta 4$ 145333-1 IS COMPLETE 2 MODULE KIT, REQUIRED FOR ONE PROCESSOR.
- $\Delta 5$ 145333-2 IS ONLY ONE MODULE, 2 MODULES ARE REQUIRED FOR ONE PROCESSOR.
- $\Delta 6$ OBSOLETE PARTS: OBSOLETE CIS STREAMLINING PER D.RENAUD/D.SINISI

$\Delta 6$ OBSOLETE	9.50[.374]	1 MODULE WITH BOARDLOCKS	$\Delta 5$	145333-3
	7.85[.309]	1 MODULE WITH BOARDLOCKS	$\Delta 5$	145333-2
	7.85[.309]	2 MODULES WITH BOARDLOCKS	$\Delta 4$	145333-1
A	DESCRIPTION	PART NUMBER		

THIS DRAWING IS A CONTROLLED DOCUMENT FOR AMP INCORPORATED. IT IS SUBJECT TO CHANGE AND THE CONTROLLING ENGINEERING ORGANIZATION SHOULD BE CONTACTED FOR THE LATEST REVISION.		DWN A. VASBINDER 22APR98	AMP Incorporated Harrisburg, PA 17105-3608	
DIMENSIONS: mm [INCHES]		CHK A. VASBINDER 22APR98	NAME RETENTION MODULE ASSEMBLY KIT, LOW COST, PLASTIC FASTENERS	
TOLERANCES UNLESS OTHERWISE SPECIFIED: 0 PLC ± 1 PLC ± 2 PLC ±0.13[.005] 3 PLC ± 4 PLC ± ANGLES ±° FINISH -		APVD V. RUMINSKI 22APR98	SIZE A2	
MATERIAL $\Delta 1$		PRODUCT SPEC 108-1826	CAGE CODE 00779	DRAWING NO. 145333
		APPLICATION SPEC 114-26015	RESTRICTED TO -	REV C1
		WEIGHT -	SCALE 2:1	SHEET 1 OF 1
		CUSTOMER DRAWING		

145333

B

A