



Chipsmall Limited consists of a professional team with an average of over 10 year of expertise in the distribution of electronic components. Based in Hongkong, we have already established firm and mutual-benefit business relationships with customers from,Europe,America and south Asia,supplying obsolete and hard-to-find components to meet their specific needs.

With the principle of "Quality Parts,Customers Priority,Honest Operation,and Considerate Service",our business mainly focus on the distribution of electronic components. Line cards we deal with include Microchip,ALPS,ROHM,Xilinx,Pulse,ON,Everlight and Freescale. Main products comprise IC,Modules,Potentiometer,IC Socket,Relay,Connector.Our parts cover such applications as commercial,industrial, and automotives areas.

We are looking forward to setting up business relationship with you and hope to provide you with the best service and solution. Let us make a better world for our industry!



Contact us

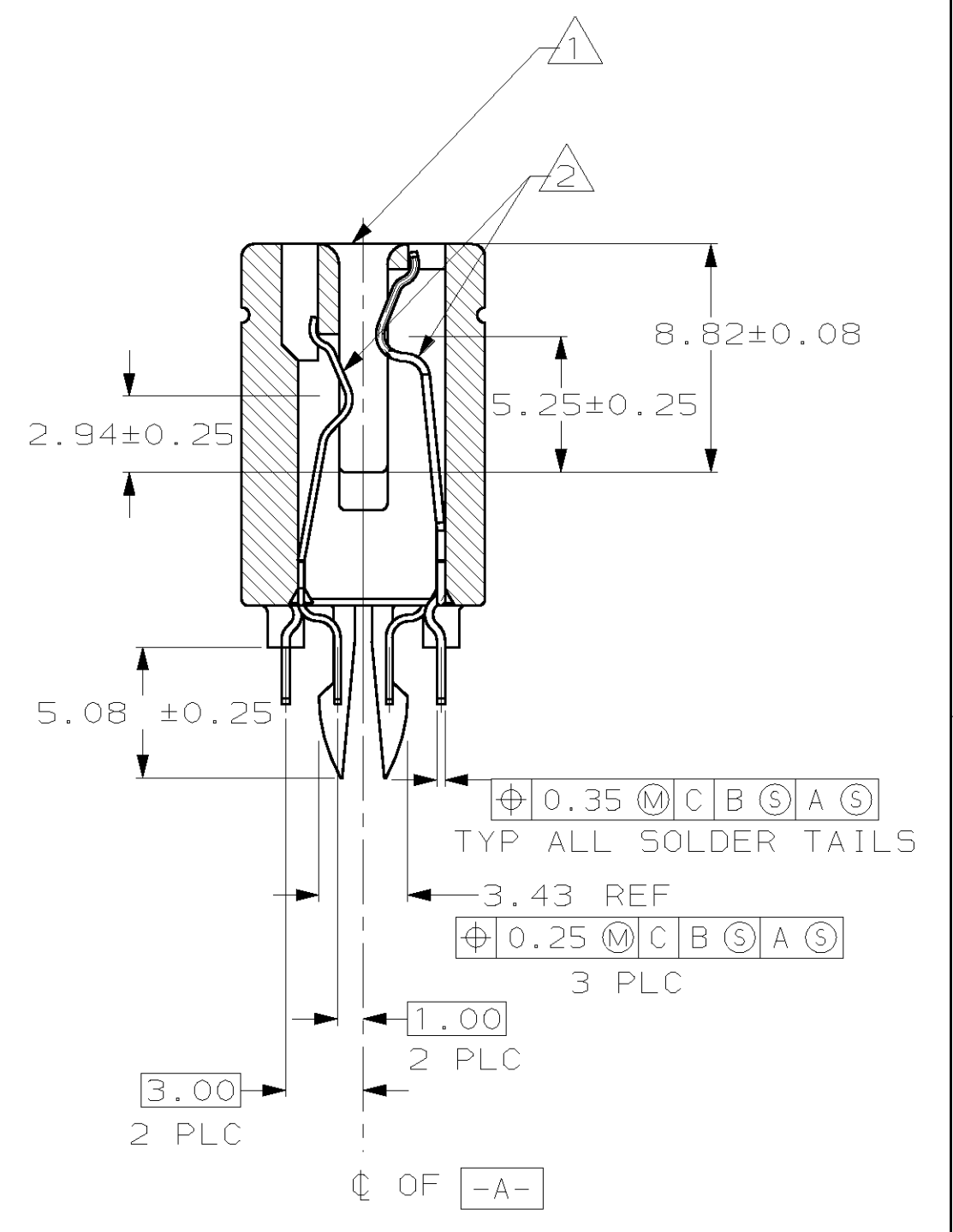
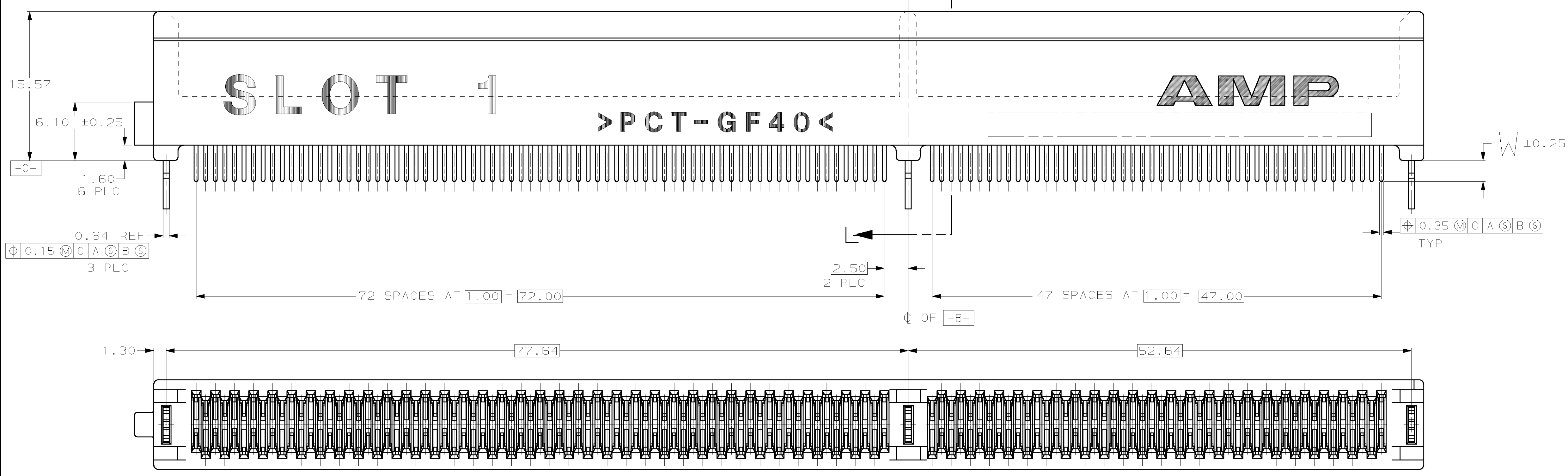
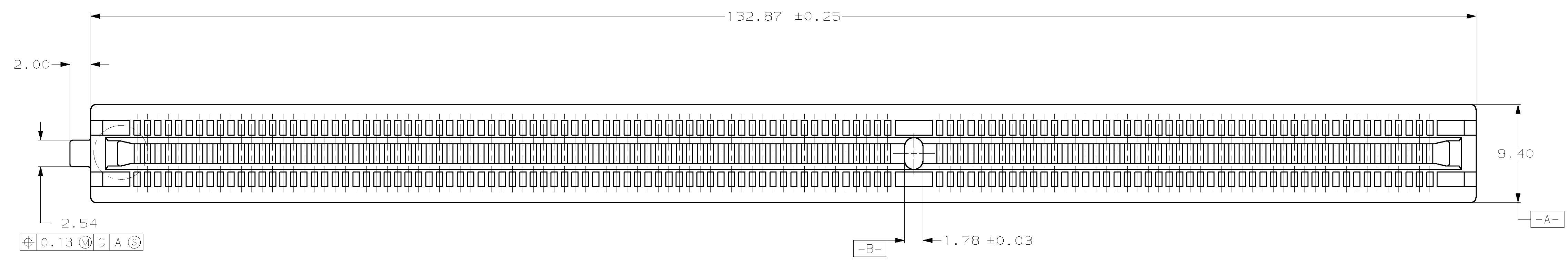
Tel: +86-755-8981 8866 Fax: +86-755-8427 6832

Email & Skype: info@chipsmall.com Web: www.chipsmall.com

Address: A1208, Overseas Decoration Building, #122 Zhenhua RD., Futian, Shenzhen, China



LOC	DIST	REV	DATE	BY	CHK	APPROV
AD	14	0	3/25/98	RB	DD	
		A	8/5/98	RB	DD	
		B	01/17/99	MM	EL	
		C	01/20/99	MM	DD	
		D	05/17/99	MM	EL	



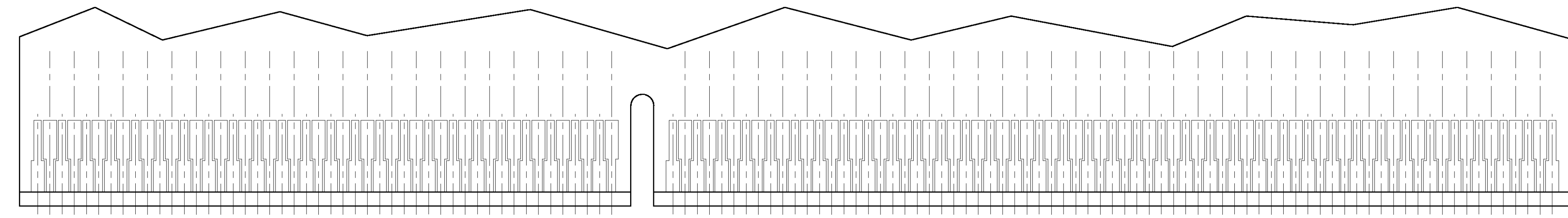
- ① MATERIAL: HOUSING, THERMOPLASTIC, COLOR: BROWN.
CONTACTS, PHOSPHOR BRONZE.
HOLD-DOWNS, BERYLLIUM COPPER.
- ② FINISH: CONTACTS, 1.27 MIN. MICROMETERS NICKEL ALL OVER,
0.38 MIN. MICROMETERS GOLD OVER NICKEL IN CONTACT AREA,
2.54 MIN MICROMETERS TIN-LEAD OVER NICKEL ON SOLDER TAILS.
- ③ FINISH: CONTACTS, 1.27 MIN. MICROMETERS NICKEL ALL OVER,
0.0254-0.0762 MICROMETERS GOLD OVER NICKEL IN CONTACT AREA.
2.54 MIN. MICROMETERS TIN-LEAD OVER NICKEL ON SOLDER TAILS.

①	2.54	145336-5
②	2.54	145336-2
③	2.16	145336-1
PLATING	W	PART NO

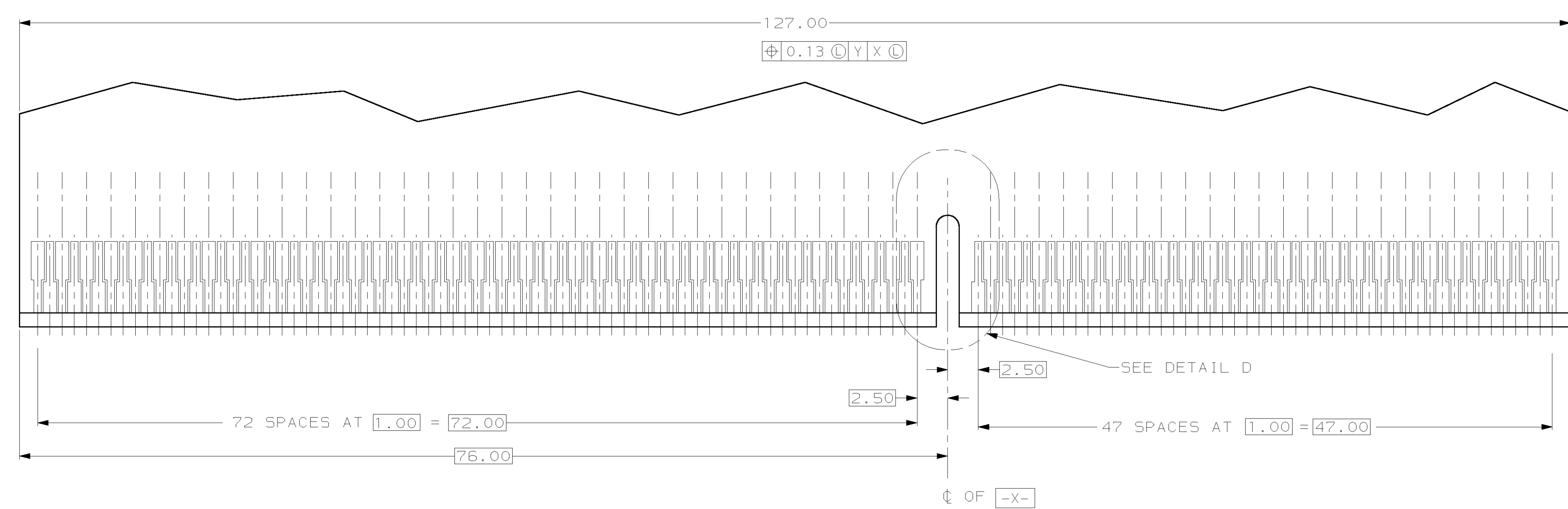
THIS DRAWING IS A CONTROLLED DOCUMENT.

DIMENSIONS:	TOLERANCES UNLESS OTHERWISE SPECIFIED:	DATE	3/25/98
mm	0 PLC ±	BY	R BROWN
	1 PLC ±	CHK	D DIXON
	2 PLC ±0.13	DATE	3/25/98
	3 PLC ±	BY	D SARVER
	4 PLC ±	NAME	
	ANGLES	PRODUCT SPEC	
		APPLICATION SPEC	
MATERIAL	FINISH	WEIGHT	
		SIZE	A1 00779
		CAGE CODE	C-145336
		DRAWING NO	
		SCALE	4:1
		SHEET	1 of 2
		REV	D

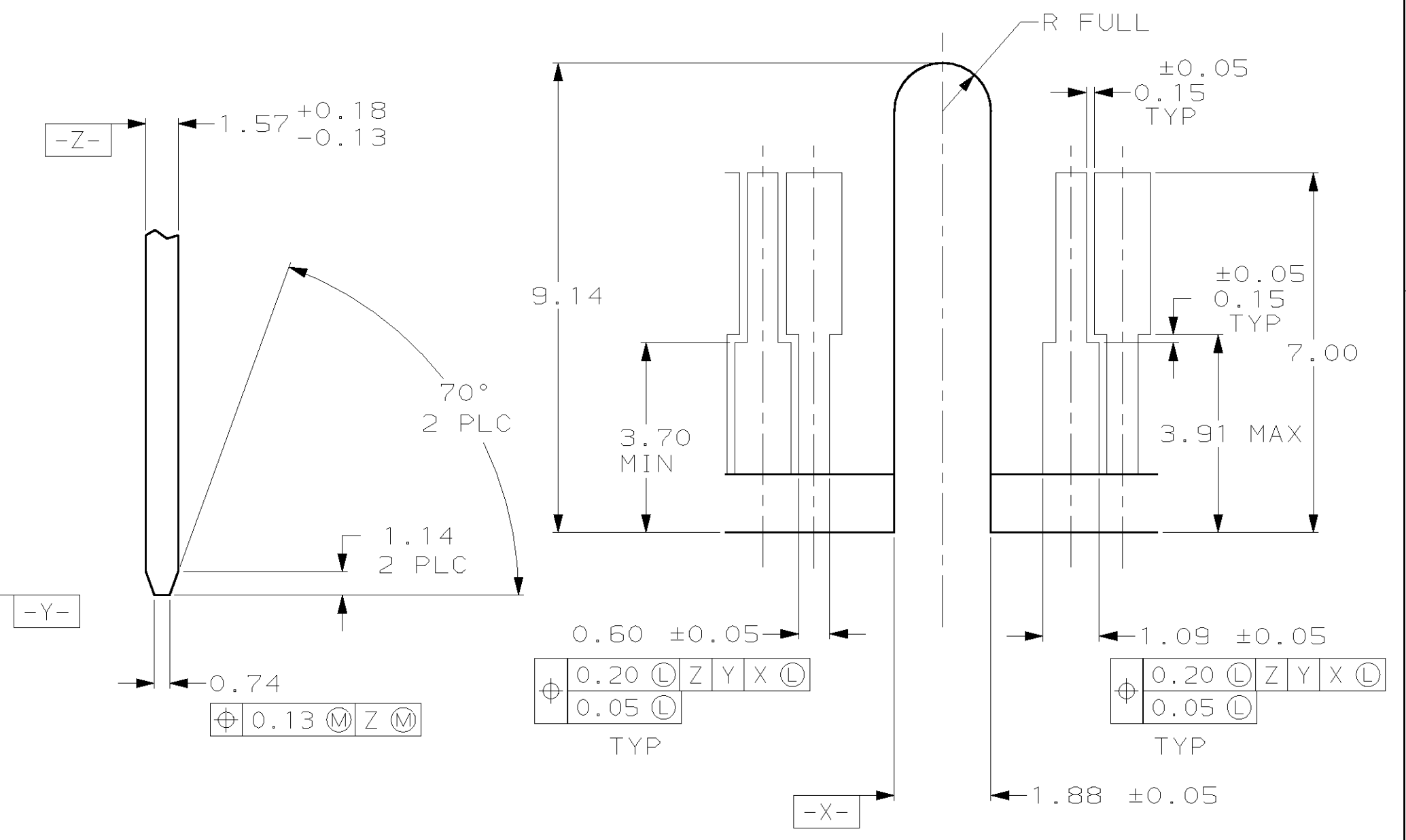
CUSTOMER DRAWING



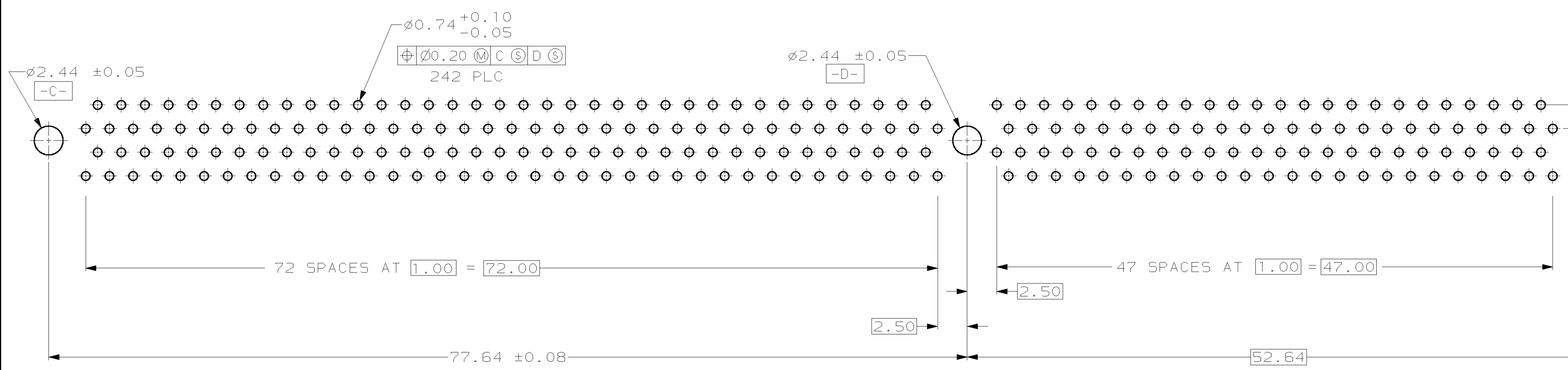
RECOMMENDED CONNECTOR MATING PAD PATTERN
(SECONDARY SIDE SHOWN)



RECOMMENDED CONNECTOR MATING PAD PATTERN
(PRIMARY SIDE SHOWN)



DETAIL D
SCALE 10:1



RECOMMENDED CONNECTOR MOUNTING HOLE PATTERN
(CONNECTOR SIDE SHOWN)

THIS DRAWING IS A CONTROLLED DOCUMENT.		DWN R BROWN	3/25/98	AMP AMP Incorporated Harrisburg, PA 17105-3608
DIMENSIONS: mm		CHK D DIXON	3/25/98	
TOLERANCES UNLESS OTHERWISE SPECIFIED:		APPRO V RUMINSKI	3/25/98	NAME
0 PLC	±	PRODUCT SPEC		AMP, 1mm ϕ STANDARD EDGE ASSEMBLY, 242 POSITION
1 PLC	±	APPLICATION SPEC		SIZE
2 PLC	±0.13	WEIGHT		A1 00779
3 PLC	±	SCALE		4:1
4 PLC	±	SHEET		2 OF 2
ANGLES	±	REV		D
MATERIAL	FINISH	CUSTOMER DRAWING		