



Chipsmall Limited consists of a professional team with an average of over 10 year of expertise in the distribution of electronic components. Based in Hongkong, we have already established firm and mutual-benefit business relationships with customers from,Europe,America and south Asia,supplying obsolete and hard-to-find components to meet their specific needs.

With the principle of “Quality Parts,Customers Priority,Honest Operation,and Considerate Service”,our business mainly focus on the distribution of electronic components. Line cards we deal with include Microchip,ALPS,ROHM,Xilinx,Pulse,ON,Everlight and Freescale. Main products comprise IC,Modules,Potentiometer,IC Socket,Relay,Connector.Our parts cover such applications as commercial,industrial, and automotives areas.

We are looking forward to setting up business relationship with you and hope to provide you with the best service and solution. Let us make a better world for our industry!



## Contact us

Tel: +86-755-8981 8866 Fax: +86-755-8427 6832

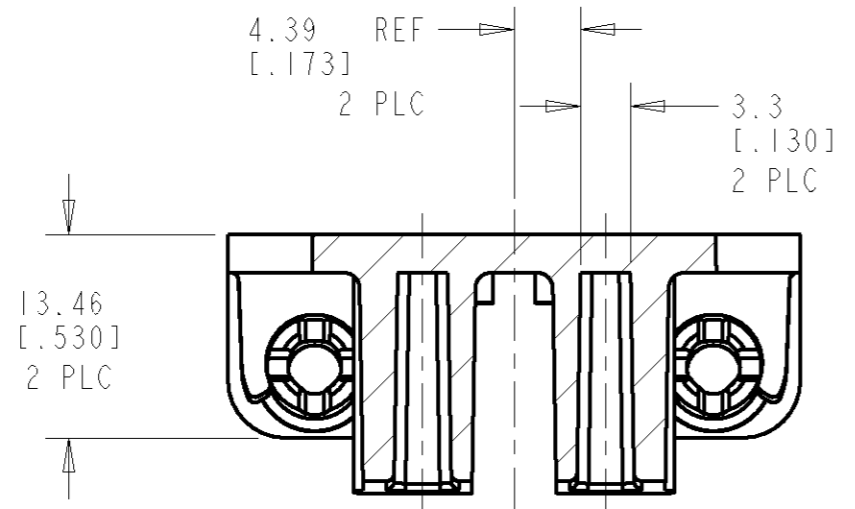
Email & Skype: info@chipsmall.com Web: www.chipsmall.com

Address: A1208, Overseas Decoration Building, #122 Zhenhua RD., Futian, Shenzhen, China

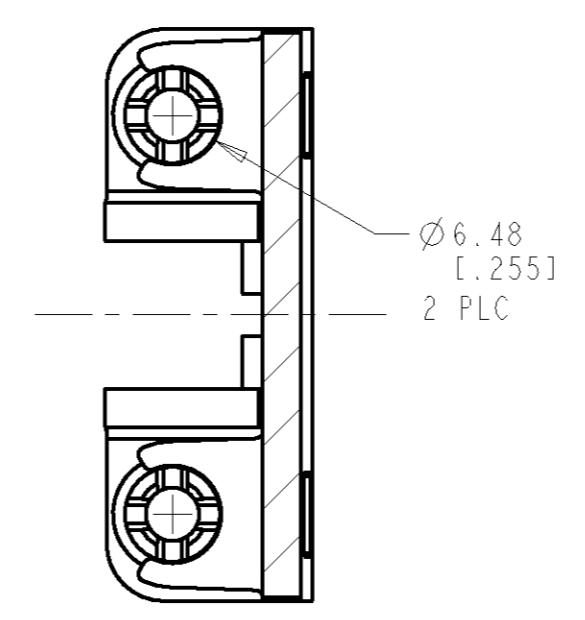


THIS DRAWING IS UNPUBLISHED. RELEASED FOR PUBLICATION .19  
COPYRIGHT 19 BY AMP INCORPORATED. ALL RIGHTS RESERVED.

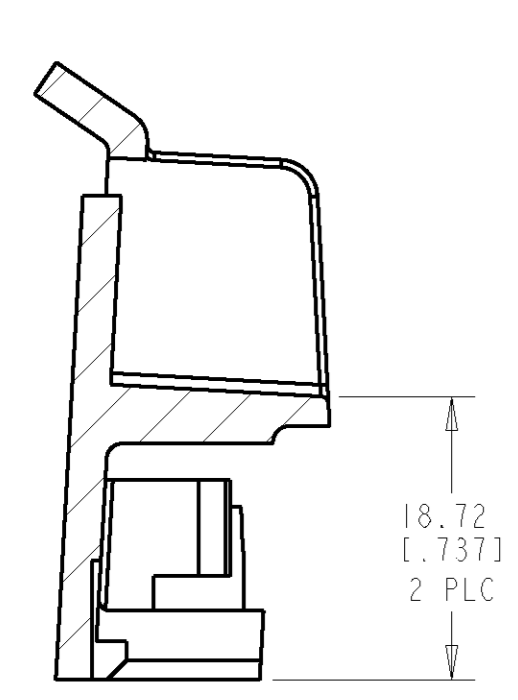
LOC	DIST	REVISIONS			
P	LTR	DESCRIPTION	DATE	DWN	APVD
AD	14	Q	RELEASED	05MAY98	AV VR
		A	REVISED PER EC 0651 0000 98	19MAY98	AV VR
		A1	REVISED PER ECO-09-027197	10DEC09	KK AEG



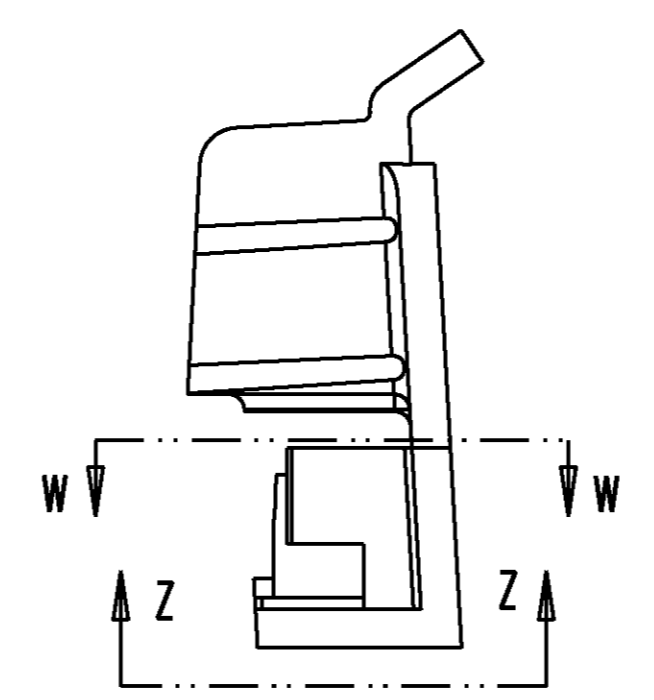
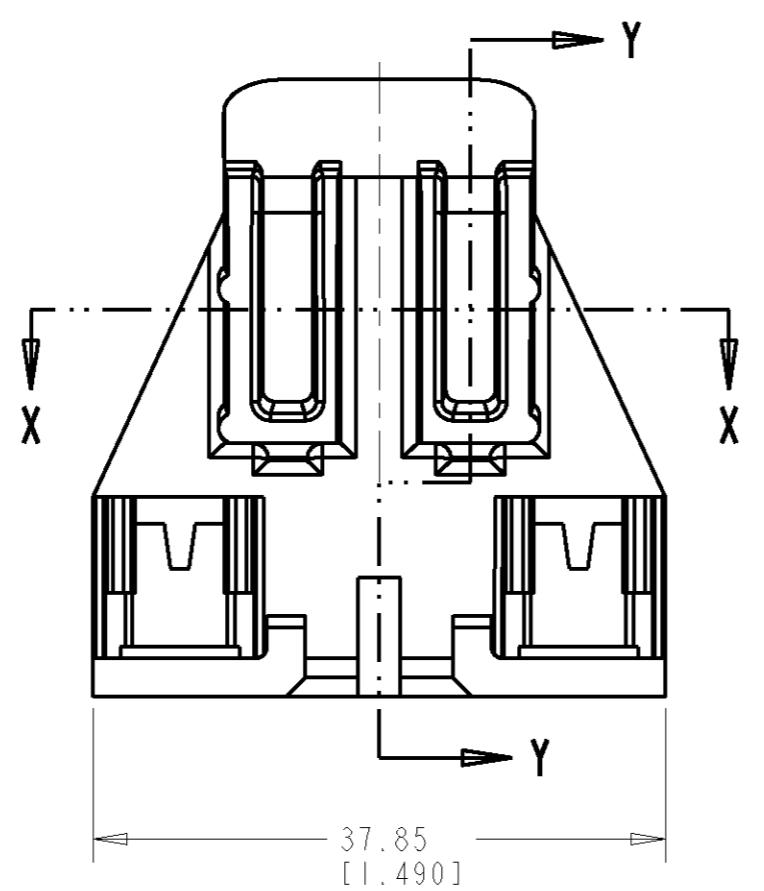
SECTION X-X



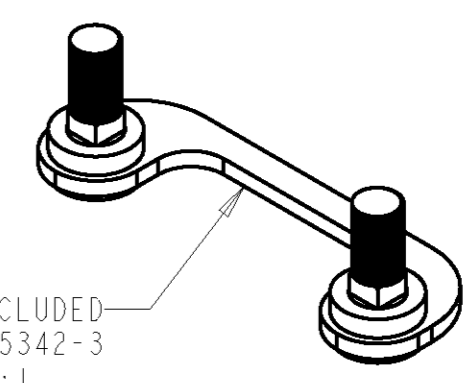
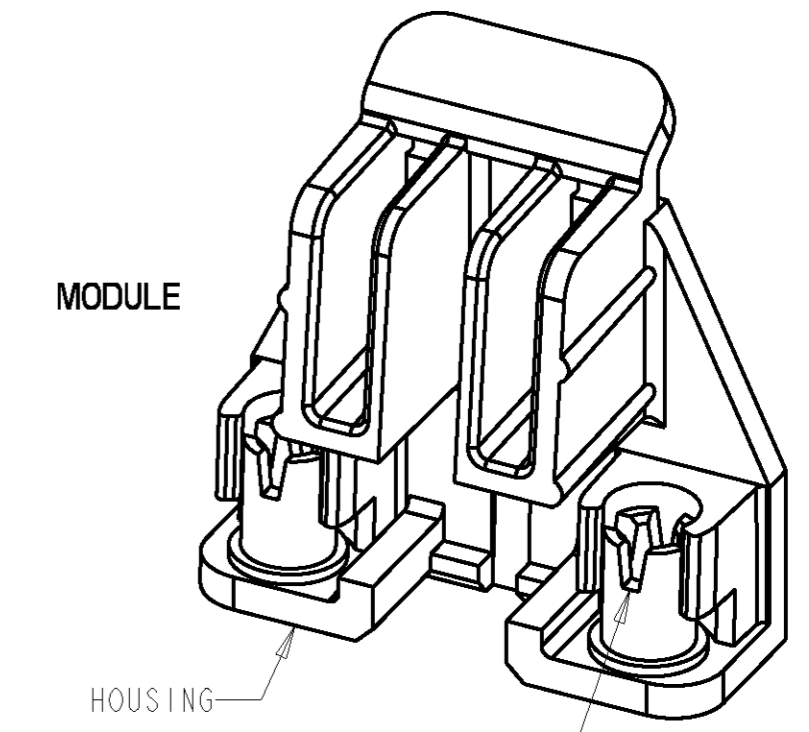
SECTION W-W



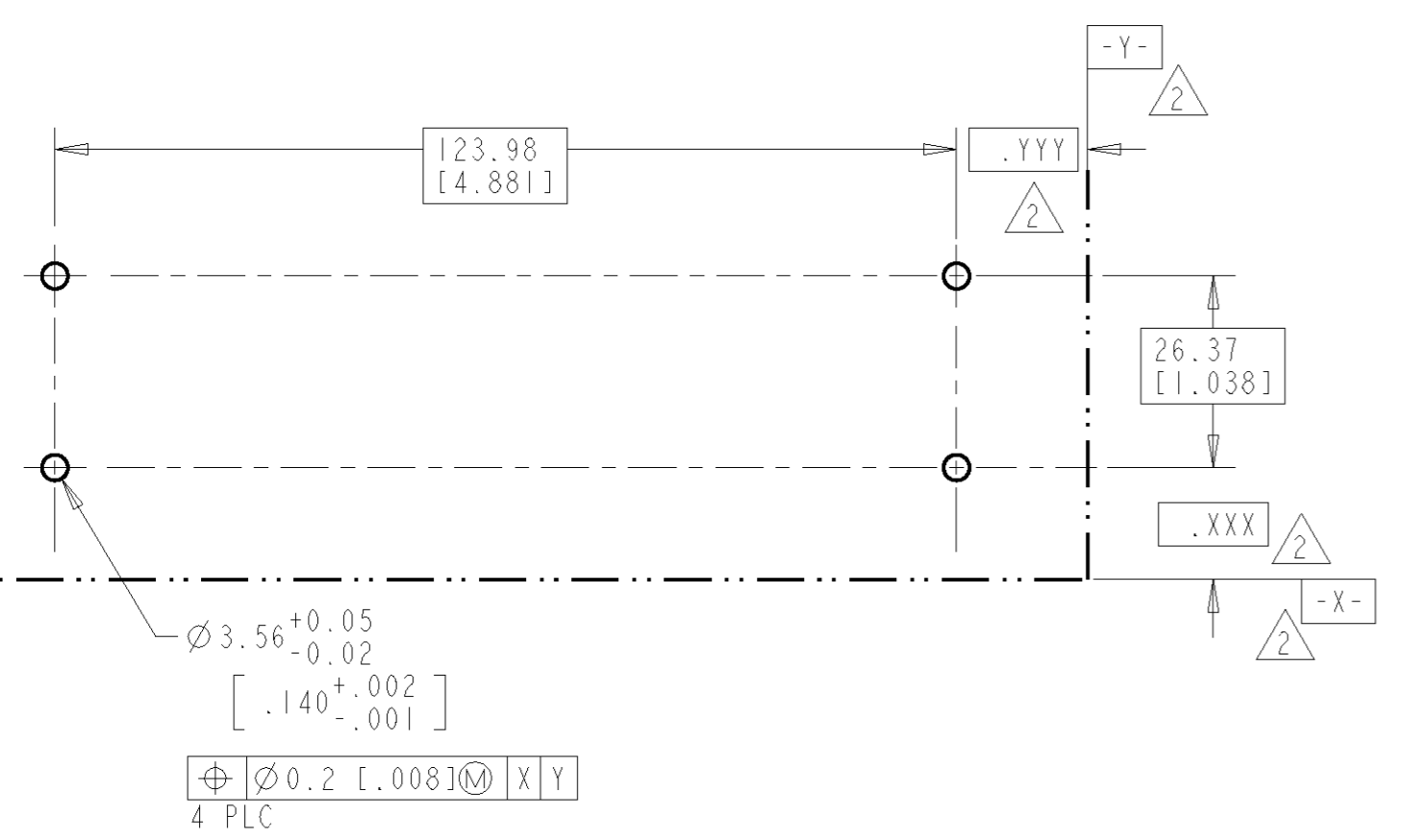
SECTION Y-Y



VIEW Z-Z



- 1 RETENTION MODULE: POLYCARBONATE, BLACK, UL 94-V0 RATED; SLOTTED CAPTIVE FASTENER: BRASS-COPPER ALLOY.
- 2 DATUM AND BASIC DIMENSION ESTABLISHED BY CUSTOMER.
- 3. BULK PACKAGED IN PARTITIONED BOXES.
- 4 KIT CONSISTS OF 2 MODULES, 2 MODULES ARE REQUIRED FOR ONE PROCESSOR.
- 5 CONSISTS OF ONLY ONE MODULE, 2 MODULES ARE REQUIRED FOR ONE PROCESSOR.
- 6 OBSOLETE PARTS: OBSOLETE CIS STREAMLINING PER D.RENAUD/D.SINISI



RECOMMENDED PC BOARD LAYOUT  
RECOMMENDED THICKNESS 1.57±0.15[.062±.006]  
SCALE 1:1

<small>THIS DRAWING IS A CONTROLLED DOCUMENT FOR AMP INCORPORATED. IT IS SUBJECT TO CHANGE AND THE CONTROLLING ENGINEERING ORGANIZATION SHOULD BE CONTACTED FOR THE LATEST REVISION.</small>		DWN A. VASBINDER 05MAY98	AMP Incorporated Harrisburg, PA 17105-3608	
DIMENSIONS: mm [INCH]		CHK A. VASBINDER 05MAY98	NAME RETENTION MODULE KIT WITH CAPTIVE FASTENERS	
TOLERANCES UNLESS OTHERWISE SPECIFIED: 0 PLC ± 1 PLC ± 2 PLC ± 3 PLC ±0.13[.005] 4 PLC ± ANGLES ±° FINISH		APVD V. RUMINSKI	SIZE A2	
MATERIAL: 1		PRODUCT SPEC -	CAGE CODE 00779	DRAWING NO. 145342
CUSTOMER DRAWING		APPLICATION SPEC -	RESTRICTED TO -	SCALE 2:1 SHEET 1 OF 1 REV A1

OBSOLETE 6	2 MODULES WITH FASTENERS AND 2 STUD BRIDGES	4	145342-3
	1 MODULE WITH FASTENERS	5	145342-2
	2 MODULES WITH FASTENERS	4	145342-1
DESCRIPTION		PART NO	