



Chipsmall Limited consists of a professional team with an average of over 10 year of expertise in the distribution of electronic components. Based in Hongkong, we have already established firm and mutual-benefit business relationships with customers from,Europe,America and south Asia,supplying obsolete and hard-to-find components to meet their specific needs.

With the principle of “Quality Parts,Customers Priority,Honest Operation,and Considerate Service”,our business mainly focus on the distribution of electronic components. Line cards we deal with include Microchip,ALPS,ROHM,Xilinx,Pulse,ON,Everlight and Freescale. Main products comprise IC,Modules,Potentiometer,IC Socket,Relay,Connector.Our parts cover such applications as commercial,industrial, and automotives areas.

We are looking forward to setting up business relationship with you and hope to provide you with the best service and solution. Let us make a better world for our industry!



## Contact us

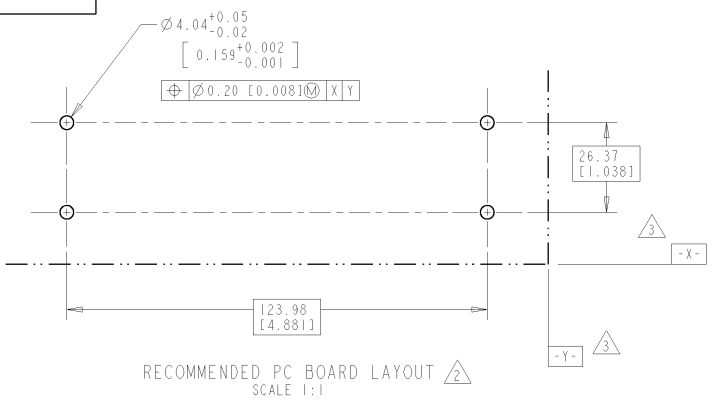
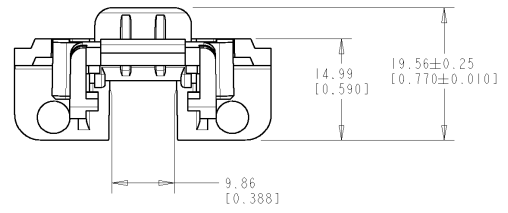
Tel: +86-755-8981 8866 Fax: +86-755-8427 6832

Email & Skype: info@chipsmall.com Web: www.chipsmall.com

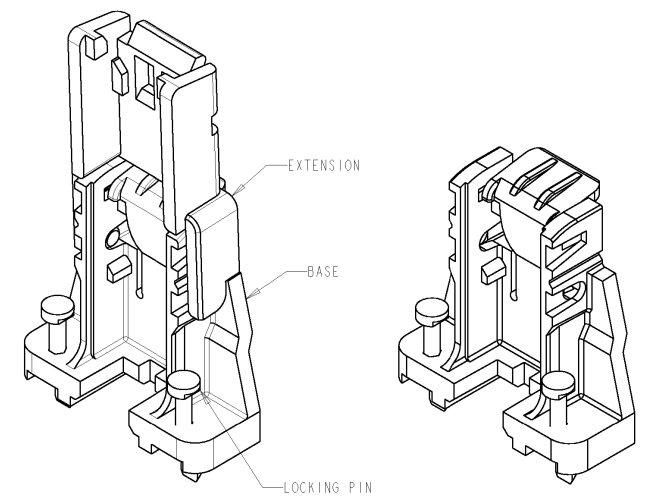
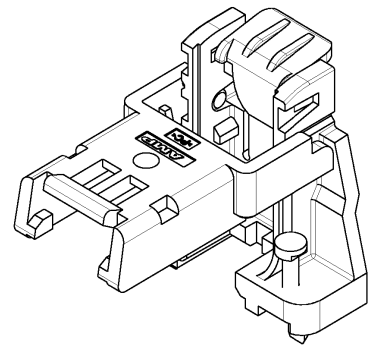
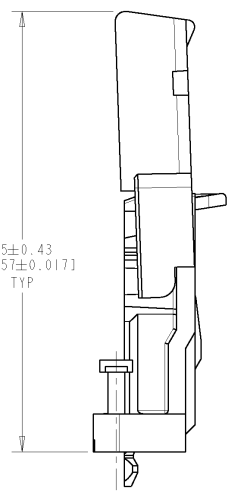
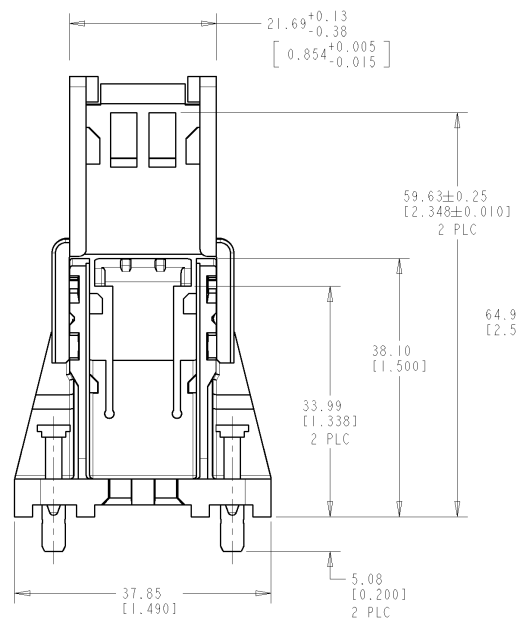
Address: A1208, Overseas Decoration Building, #122 Zhenhua RD., Futian, Shenzhen, China



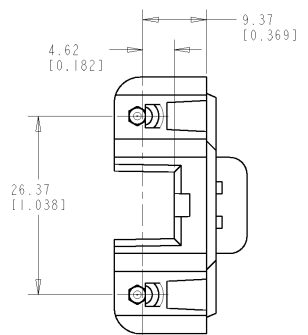
LOC	DIST	REVISIONS				
AD	14	TR	DESCRIPTION	DATE	BY	APPD
		D	RELEASED	15SEP98	RB	EL
		A	REVISED PER 0651-0241-98	29OCT98	RB	EL
		B	REVISED PER 051B-0084-99	03NOV99	JM	DS



- ⚠ ALL MOLDED COMPONENTS- UL 94-V0 RATED POLYCARBONATE, BLACK.
- ⚠ RECOMMENDED PC BOARD THICKNESS OF 1.57±0.15 [0.062±0.006].
- ⚠ DATUM AND BASIC DIMENSIONS ESTABLISHED BY CUSTOMER.
- ⚠ BULK PACKAGED IN PARTITIONED BOXES IN THE EXTENDED POSITION.
- ⚠ EACH PROCESSOR INSTALLATION REQ'S TWO RETENTION MODULES.



145380-1 AND -2 EXTENDED POSITION, 145380-3 AND -4



☐ OF PCB HOLES

DESCRIPTION	PART NUMBER
2 MODULES WITH LOCKING PINS, NO EXTENSIONS	145380-4
1 MODULE WITH LOCKING PINS, NO EXTENSIONS	145380-3
2 MODULES WITH LOCKING PINS	⚠ 145380-2
1 MODULE WITH LOCKING PINS	⚠ 145380-1

<small>THIS DRAWING IS A CONTROLLED DOCUMENT FOR AMP INCORPORATED. ALL US SUBJECT TO CHANGE AND THE CONTROL LAW ENGINEERING ORGANIZATION SHOULD BE CONTACTED FOR THE LATEST REVISION.</small>		DWN: B BROWN 15SEP98 CENK: E LOTTER 15SEP98 MFD: V RUMINSKI 15SEP98	<b>AMP</b> AMP Incorporated Harrisburg, PA 17105-3608
DIMENSIONS: mm [INCHES]	TOLERANCES UNLESS OTHERWISE SPECIFIED: 0 PLC ± 1 PLC ±0.13 (0.005) 2 PLC ± 3 PLC ± 4 PLC ± ANGLES ± FINISH -	NAME: UNIVERSAL RETENTION MODULE ASSEMBLY KIT, PIN FASTENER PRODUCT SPEC: 108-1826 APPLICATION SPEC: -	SIZE: A2 CODE: 00779 DRAWING NO: C-145380 RESTRICTED TO: -
MATERIAL:		WEIGHT: - CUSTOMER DRAWING:	SCALE: 2:1 SHEET: 1 OF 1 REV: B