



Chipsmall Limited consists of a professional team with an average of over 10 year of expertise in the distribution of electronic components. Based in Hongkong, we have already established firm and mutual-benefit business relationships with customers from,Europe,America and south Asia,supplying obsolete and hard-to-find components to meet their specific needs.

With the principle of "Quality Parts,Customers Priority,Honest Operation,and Considerate Service",our business mainly focus on the distribution of electronic components. Line cards we deal with include Microchip,ALPS,ROHM,Xilinx,Pulse,ON,Everlight and Freescale. Main products comprise IC,Modules,Potentiometer,IC Socket,Relay,Connector.Our parts cover such applications as commercial,industrial, and automotives areas.

We are looking forward to setting up business relationship with you and hope to provide you with the best service and solution. Let us make a better world for our industry!



Contact us

Tel: +86-755-8981 8866 Fax: +86-755-8427 6832

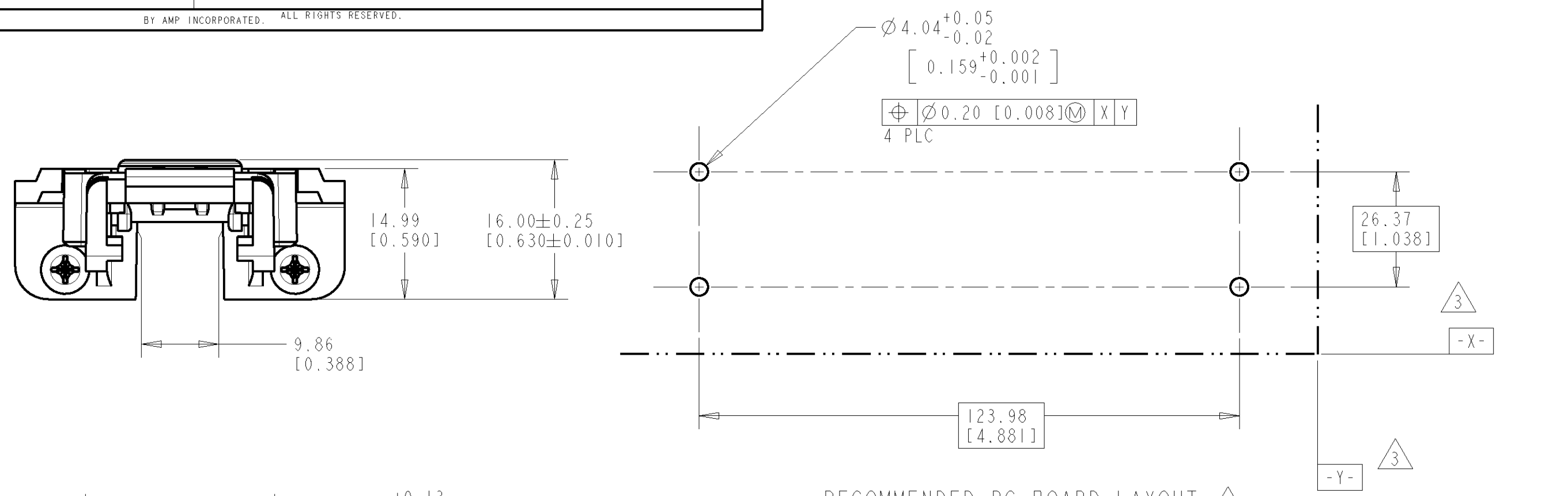
Email & Skype: info@chipsmall.com Web: www.chipsmall.com

Address: A1208, Overseas Decoration Building, #122 Zhenhua RD., Futian, Shenzhen, China

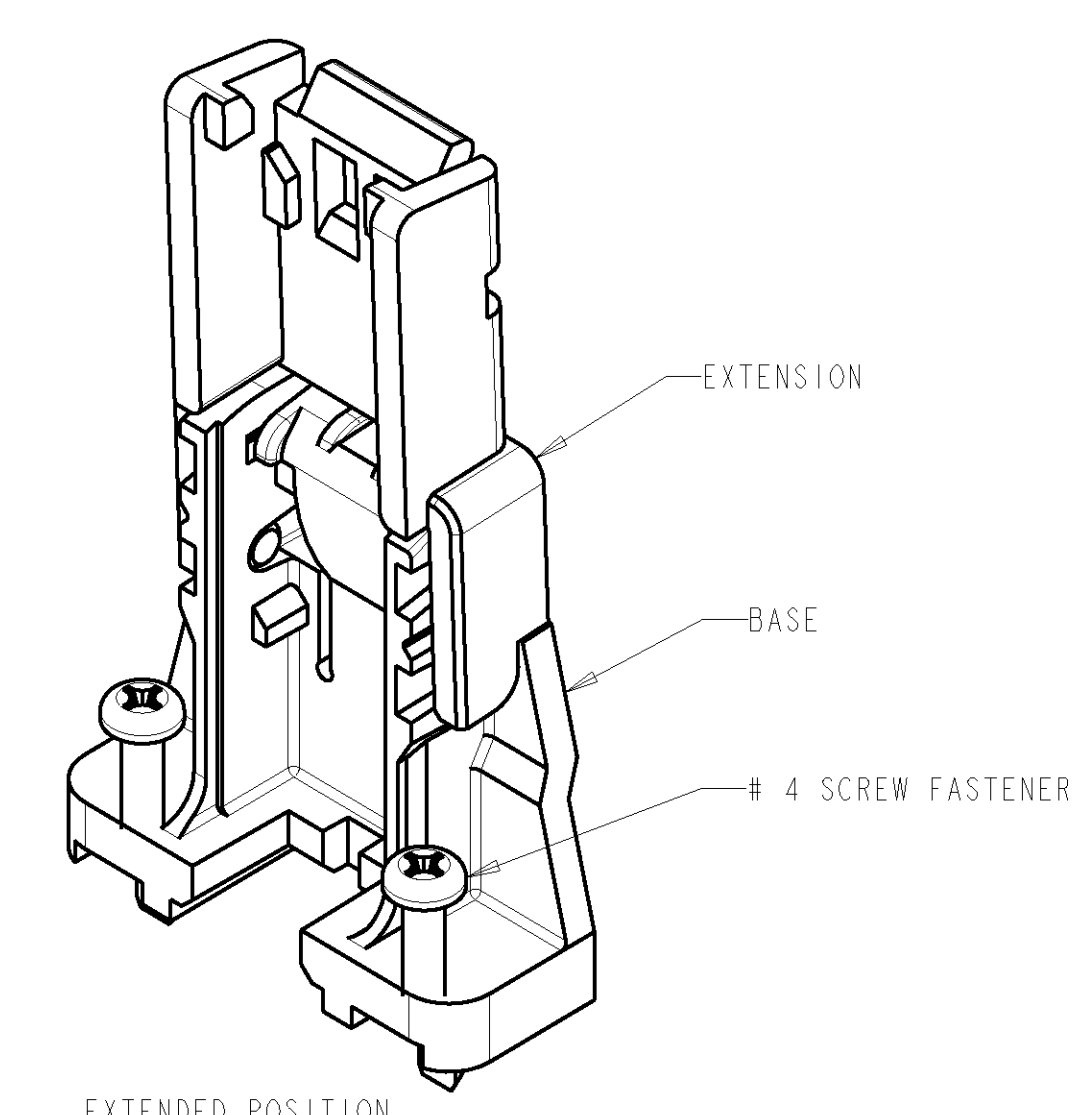
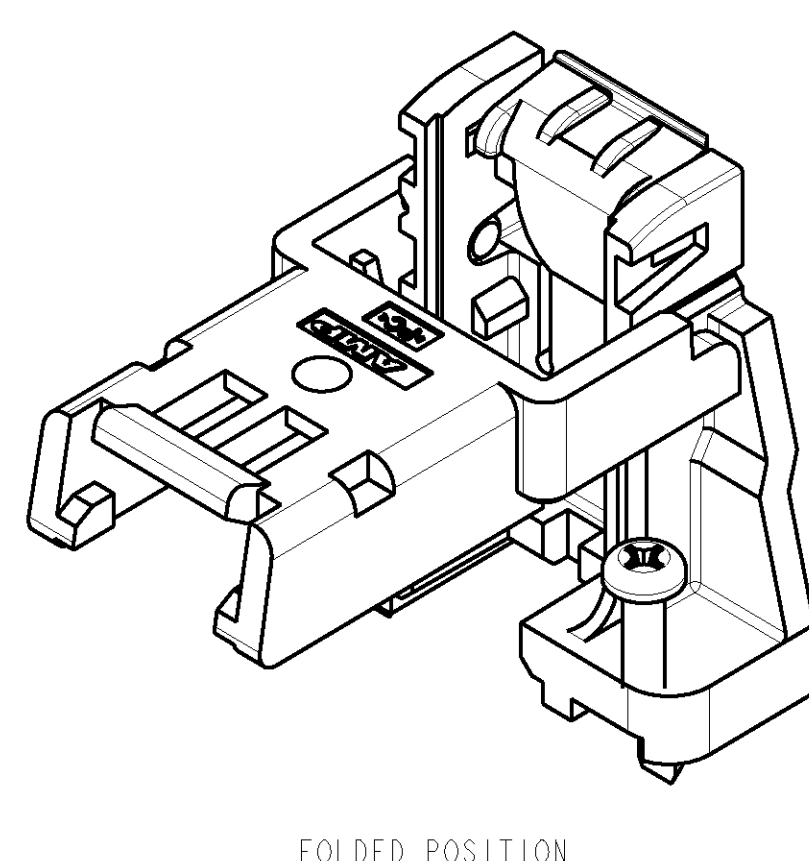
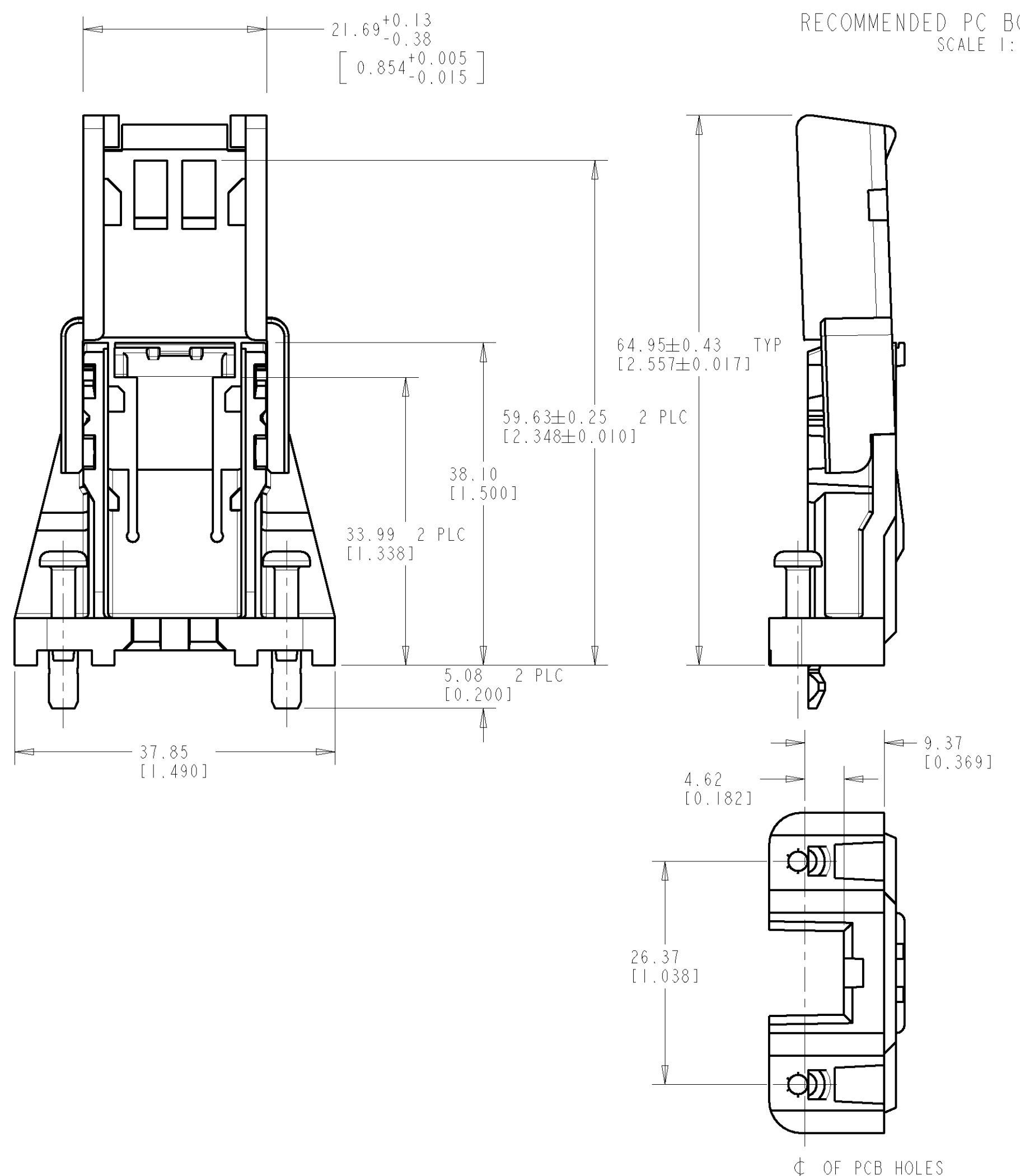


THIS DRAWING IS UNPUBLISHED. RELEASED FOR PUBLICATION .19
 © COPYRIGHT 19 BY AMP INCORPORATED. ALL RIGHTS RESERVED.

LOC	DIST	REVISIONS					
		P	LTR	DESCRIPTION	DATE	DWN	APVD
AD	14	0		RELEASED	15SEP98	RB	EL
		A		REVISED PER 0651-0241-98	29OCT98	RB	EL



- 1 ALL MOLDED COMPONENTS- UL 94-VO RATED POLYCARBONATE; BLACK.
- 2 RECOMMENDED PC BOARD THICKNESS OF 1.57±0.15[.062±.006].
- 3 DATUM AND BASIC DIMENSIONS ESTABLISHED BY CUSTOMER.
- 4 BULK PACKAGED IN PARTITIONED BOXES IN THE EXTENDED POSITION.
- 5 EACH PROCESSOR INSTALLATION REQ'S TWO RETENTION MODULES.



2 MODULES WITH #4 SCREW FASTENERS	145418-2
1 MODULE WITH #4 SCREW FASTENERS	145418-1
DESCRIPTION	5 PART NUMBER

THIS DRAWING IS A CONTROLLED DOCUMENT FOR AMP INCORPORATED. IT IS SUBJECT TO CHANGE AND THE CONTROLLING ENGINEERING ORGANIZATION SHOULD BE CONTACTED FOR THE LATEST REVISION.		DWN R BROWN 15SEP98	AMP Incorporated Harrisburg, PA 17105-3608	
DIMENSIONS: mm [INCHES]		CHK E LOTTER 15SEP98	NAME UNIVERSAL RETENTION MODULE ASSEMBLY KIT, SCREW FASTENER SHORT LATCH	
TOLERANCES UNLESS OTHERWISE SPECIFIED: 0 PLC ± 1 PLC ± 2 PLC ±0.13[.005] 3 PLC ± 4 PLC ± ANGLES ± FINISH -		APVD V RUMINSKI 15SEP98	PRODUCT SPEC 108-1826	
MATERIAL		APPLICATION SPEC	SIZE A2	RESTRICTED TO
		WEIGHT	CAGE CODE 00779	DRAWING NO 145418
		CUSTOMER DRAWING	SCALE 2:1	SHEET OF 1 1
			REV A	