



Chipsmall Limited consists of a professional team with an average of over 10 year of expertise in the distribution of electronic components. Based in Hongkong, we have already established firm and mutual-benefit business relationships with customers from,Europe,America and south Asia,supplying obsolete and hard-to-find components to meet their specific needs.

With the principle of "Quality Parts,Customers Priority,Honest Operation,and Considerate Service",our business mainly focus on the distribution of electronic components. Line cards we deal with include Microchip,ALPS,ROHM,Xilinx,Pulse,ON,Everlight and Freescale. Main products comprise IC,Modules,Potentiometer,IC Socket,Relay,Connector.Our parts cover such applications as commercial,industrial, and automotives areas.

We are looking forward to setting up business relationship with you and hope to provide you with the best service and solution. Let us make a better world for our industry!



## Contact us

Tel: +86-755-8981 8866 Fax: +86-755-8427 6832

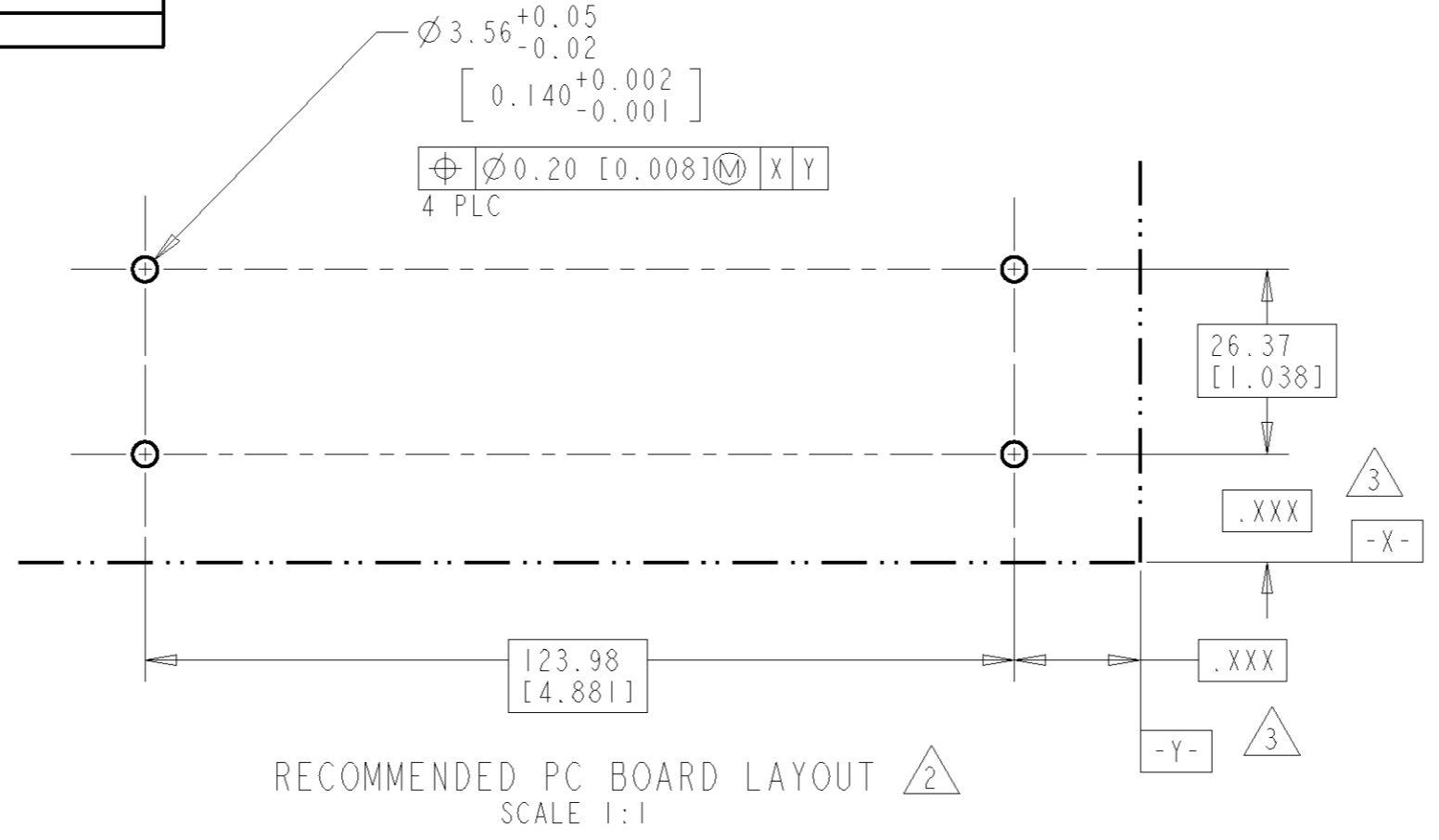
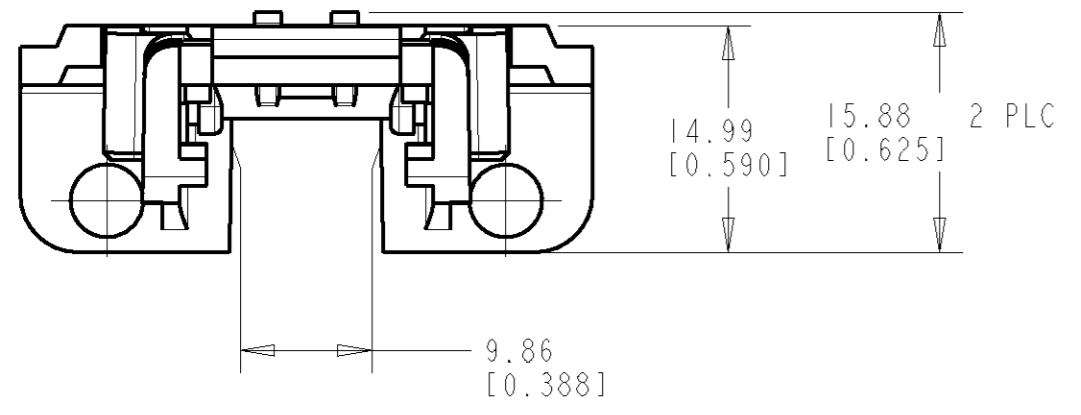
Email & Skype: info@chipsmall.com Web: www.chipsmall.com

Address: A1208, Overseas Decoration Building, #122 Zhenhua RD., Futian, Shenzhen, China

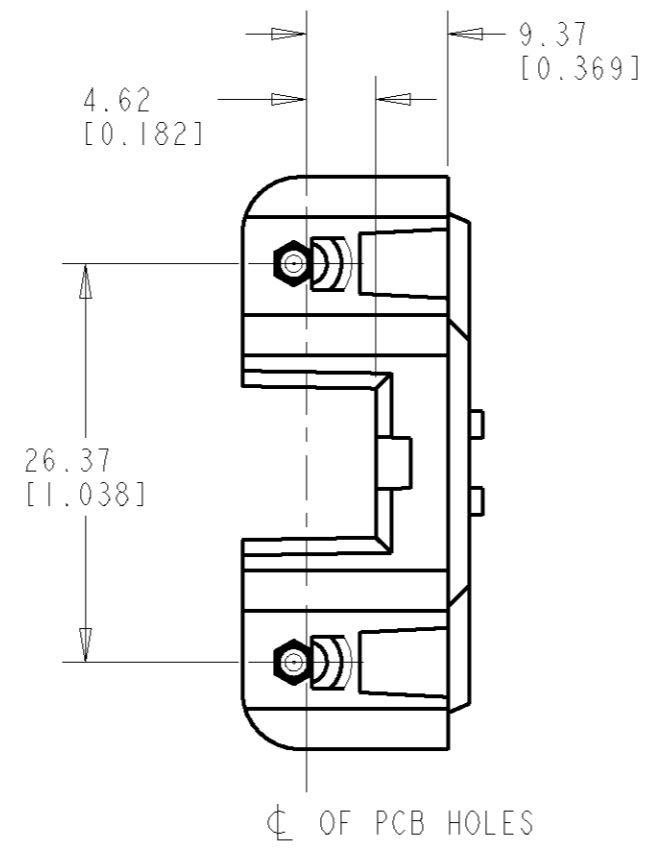
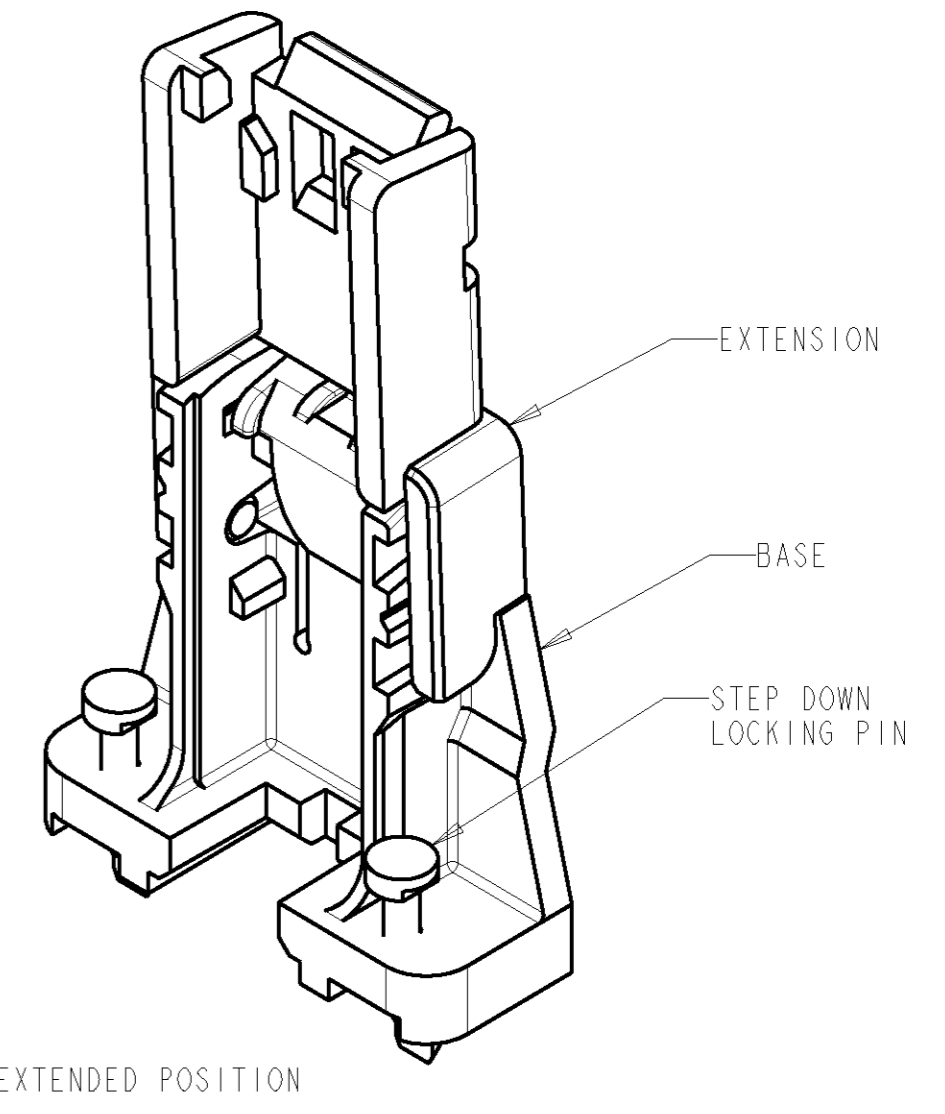
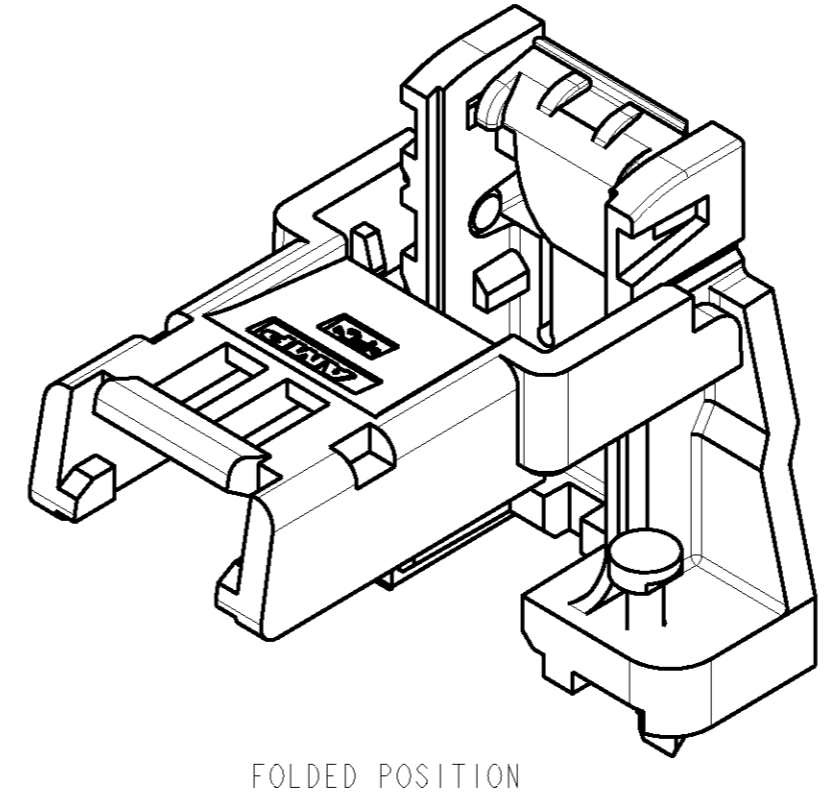
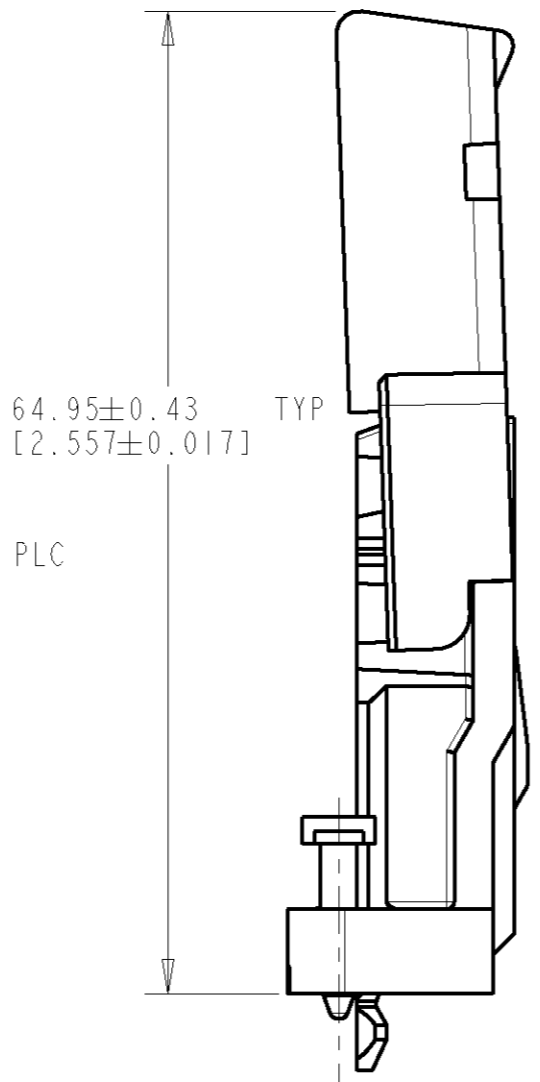
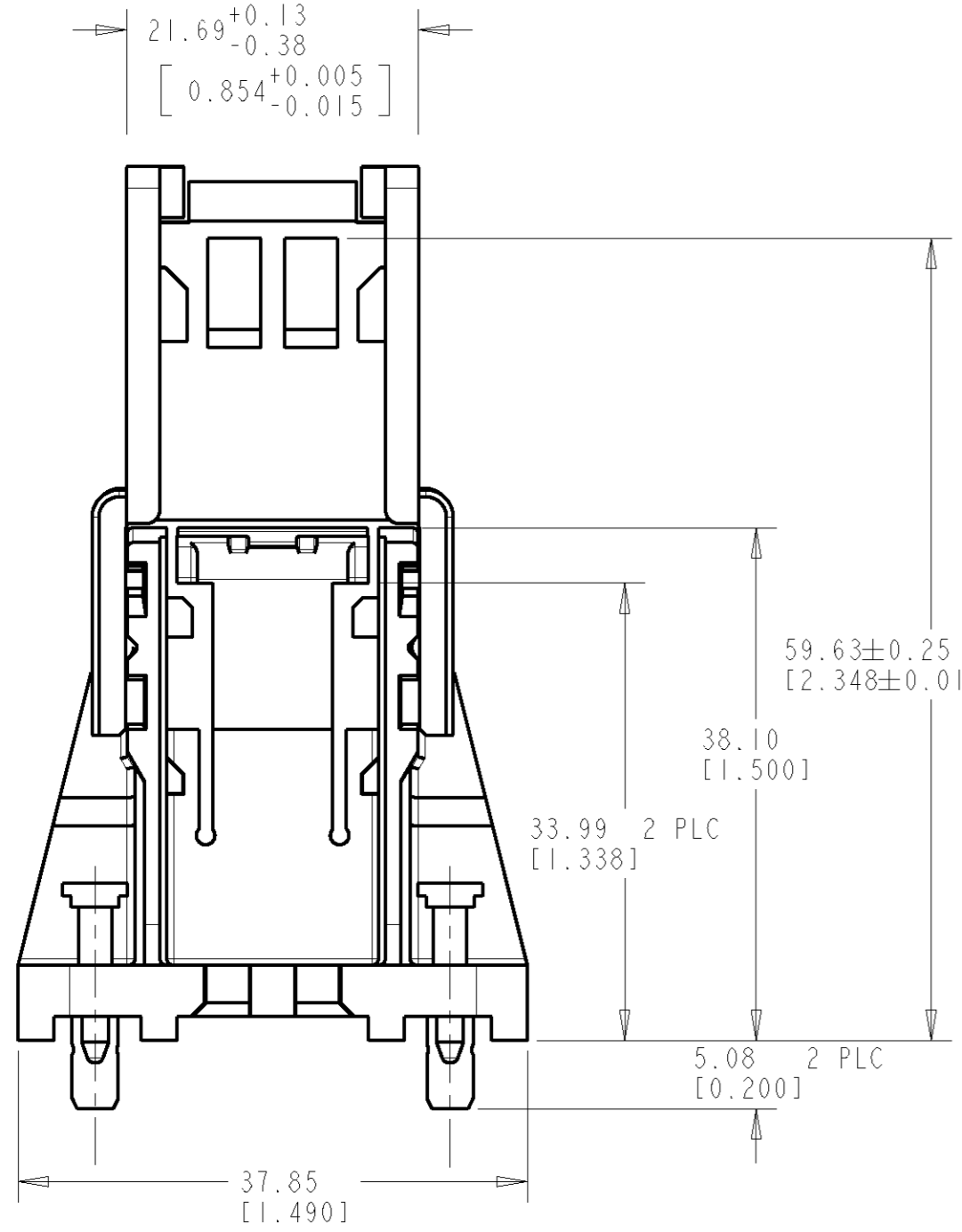


THIS DRAWING IS UNPUBLISHED. RELEASED FOR PUBLICATION .19  
 BY AMP INCORPORATED. ALL RIGHTS RESERVED.

LOC	DIST	REVISIONS					
AD	14	P	LTR	DESCRIPTION	DATE	DWN	APVD
		0		RELEASED	04DEC98	RB	EL
		-		-	-	-	-



- $\triangle 1$  ALL COMPONENTS- UL 94-VO RATED POLYCARBONATE, BLACK.
- $\triangle 2$  RECOMMENDED PC BOARD THICKNESS OF  $1.57 \pm 0.15$  [0.062  $\pm$  0.006].
- $\triangle 3$  DATUM AND BASIC DIMENSIONS ESTABLISHED BY CUSTOMER.
- 4. BULK PACKAGED IN PARTITIONED BOXES IN THE EXTENDED POSITION
- $\triangle 5$  EACH PROCESSOR INSTALLATION REQ'S TWO RETENTION MODULES.



2 MODULES WITH STEP DOWN PINS	145438-2
1 MODULE WITH STEP DOWN PINS	145438-1
DESCRIPTION	$\triangle 5$ PART NUMBER

THIS DRAWING IS A CONTROLLED DOCUMENT FOR AMP INCORPORATED. IT IS SUBJECT TO CHANGE AND THE CONTROLLING ENGINEERING ORGANIZATION SHOULD BE CONTACTED FOR THE LATEST REVISION.		DWN R BROWN 04DEC98 CHK E LOTTER 04DEC98 APVD V RUMINSKI 04DEC98	<b>AMP</b> AMP Incorporated Harrisburg, PA 17105-3608
DIMENSIONS: mm [INCHES]	TOLERANCES UNLESS OTHERWISE SPECIFIED: 0 PLC $\pm$ 1 PLC $\pm$ 2 PLC $\pm 0.20$ [0.008] 3 PLC $\pm$ 4 PLC $\pm$ ANGLES $\pm$ FINISH -	PRODUCT SPEC 108-1826 APPLICATION SPEC - WEIGHT -	NAME UNIVERSAL RETENTION MODULE ASSEMBLY KIT, PIN FASTENER RECESSED LATCH SIZE A2 CAGE CODE 00779 DRAWING NO. 145438 RESTRICTED TO - CUSTOMER DRAWING SCALE 2:1 SHEET 1 OF 1 REV 0

145438