



Chipsmall Limited consists of a professional team with an average of over 10 year of expertise in the distribution of electronic components. Based in Hongkong, we have already established firm and mutual-benefit business relationships with customers from,Europe,America and south Asia,supplying obsolete and hard-to-find components to meet their specific needs.

With the principle of “Quality Parts,Customers Priority,Honest Operation,and Considerate Service”,our business mainly focus on the distribution of electronic components. Line cards we deal with include Microchip,ALPS,ROHM,Xilinx,Pulse,ON,Everlight and Freescale. Main products comprise IC,Modules,Potentiometer,IC Socket,Relay,Connector.Our parts cover such applications as commercial,industrial, and automotives areas.

We are looking forward to setting up business relationship with you and hope to provide you with the best service and solution. Let us make a better world for our industry!



## Contact us

Tel: +86-755-8981 8866 Fax: +86-755-8427 6832

Email & Skype: info@chipsmall.com Web: www.chipsmall.com

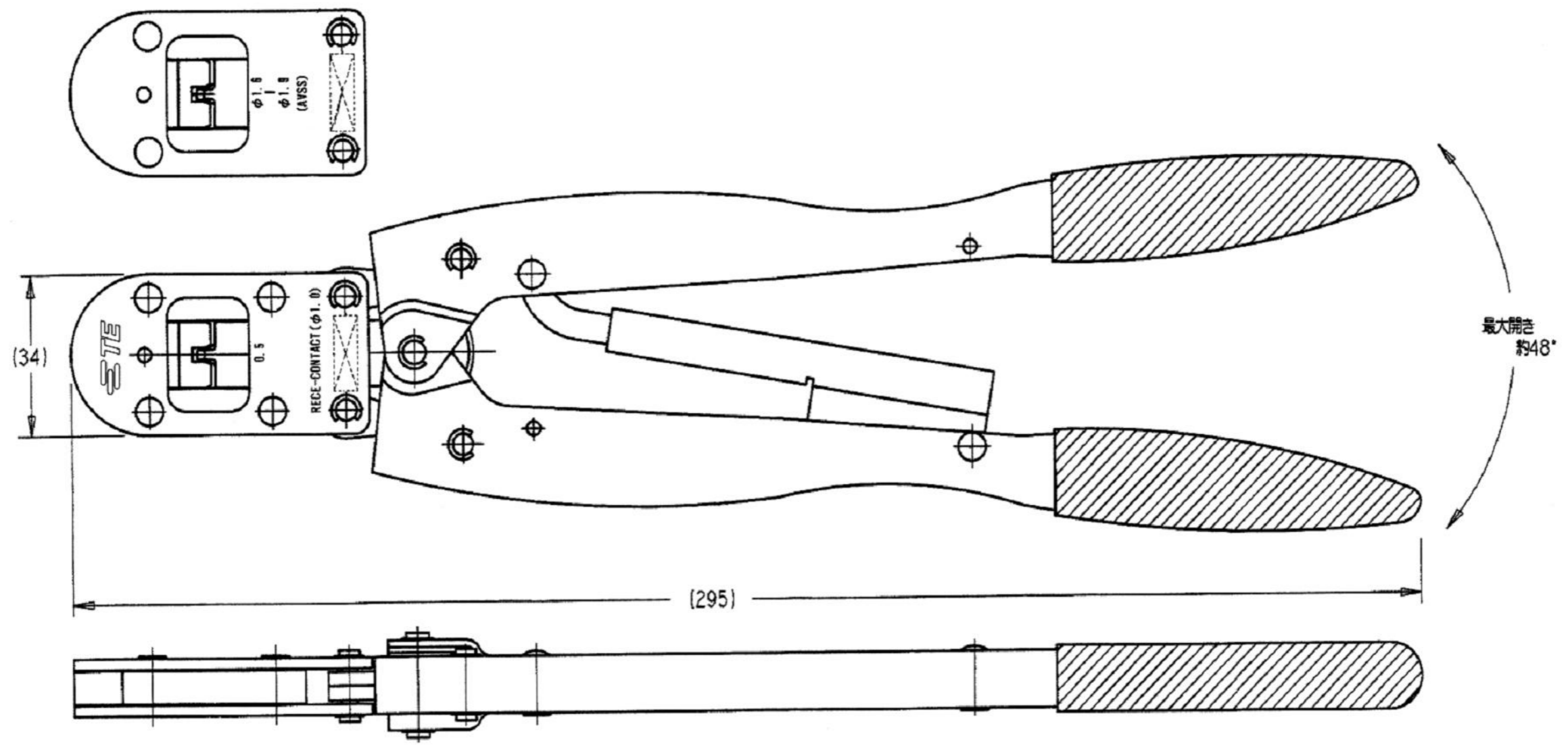
Address: A1208, Overseas Decoration Building, #122 Zhenhua RD., Futian, Shenzhen, China




THIS DRAWING IS UNPUBLISHED. RELEASED FOR PUBLICATION 2015  
 © COPYRIGHT 2015 BY TE Connectivity ALL RIGHTS RESERVED.

REVISIONS					
P	LTR	DESCRIPTION	DATE	DWN	APVD
		ECR-15-000881 CORRECTED TE LOGO and FIG	26JUN2015	SN	JK

TERMINAL No. 適用端子型番	WIRE SIZE 芯線断面積 [ mm <sup>2</sup> ]	INS. SIZE 被覆径 [ mm ]	CRIMP HEIGHT 圧着高さ [ mm ]	HAND TOOL MANUAL No. 取扱説明書
3-1447221-4	0.5	φ1.6-1.9	0.9±0.1	411-5980



旧型番: 3800088-02

THIS DRAWING IS A CONTROLLED DOCUMENT.		DWN K. ISHIZUKA 20JUN2001	 TE Connectivity		
DIMENSIONS: mm		CHK J. KOGA 19JUN2001			
TOLERANCES UNLESS OTHERWISE SPECIFIED:		APVD S. YABE 19JUN2001	PRODUCT SPEC -		SIZE A3
0 PLC ±- 1 PLC ±- 2 PLC ±- 3 PLC ±- 4 PLC ±- ANGLES ±-		APPLICATION SPEC -	CAGE CODE -		DRAWING NO C=1454509-2
MATERIAL -		FINISH -	WEIGHT -	RESTRICTED TO -	
CUSTOMER DRAWING			SCALE -	SHEET 1	OF 1
					REV A1

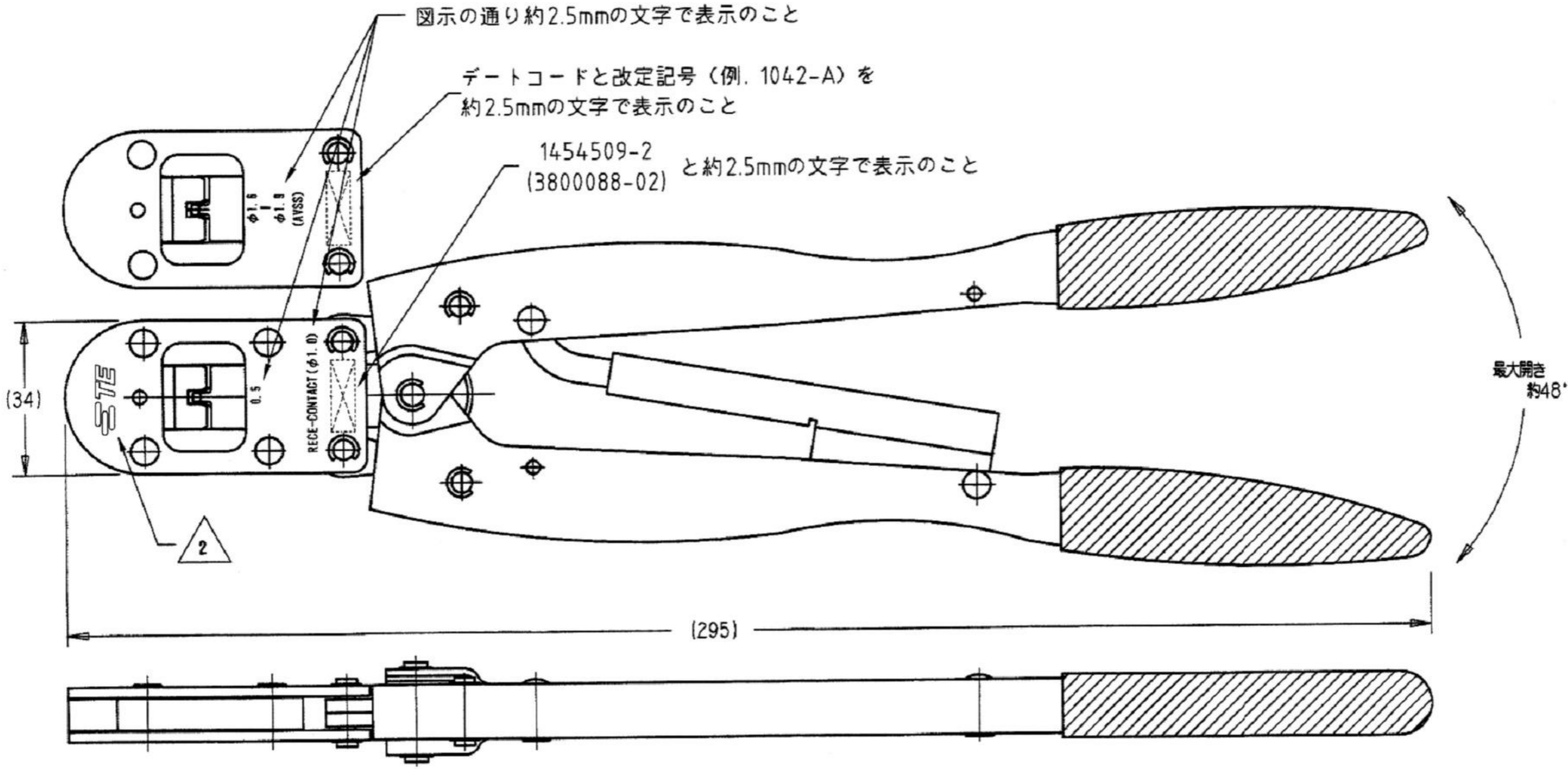
DWG NO 1454509-2  
THIS DRAWING IS A CONTROLLED DOCUMENT

PART NUMBER	REV.
1454509-2	A

USED ON \_\_\_\_\_

TERMINAL No.	WIRE SIZE [ mm <sup>2</sup> ]	INS. SIZE [ mm ]	CRIMP HEIGHT [ mm ]	HAND TOOL MANUAL No.
3-1447221-4	0.5	φ1.6-1.9	0.9±0.1	411-5980

1. ハンドルプレッシャ : 294 ± 29 N (30 ± 3 kgf)
2. P/N 1621434-9相当のTEロゴを表示のこと
3. テートコードと改訂記号およびTEロゴを除く全ての表示は製造規格106-4008に順ずること
4. 本工具は下記で製造のこと  
株式会社 新東京エンジニアリング  
〒193-0832  
東京都八王子市散田町5-1-8  
TEL 0426-65-5560 FAX 0426-65-7778



旧型番 : 3800088-02

LTR	REVISION RECORD	DATE	DWN	APVD
	ECR-15-000881 CORRECTED TE LOGO	26JAN2015	SN	JK

DIMENSIONS:	TOLERANCES UNLESS OTHERWISE SPECIFIED:
mm	0 PLC ±-
	1 PLC ±-
ANGLE±	2 PLC ±-
	3 PLC ±-
SURFACE TEXTURE	4 PLC ±-

DWN	19JUN2001	MATERIAL	-	HEAT TREAT	-
CHK	19JUN2001	TE Connectivity			
APVD	19JUN2001				
NAME STRAIGHT ACTION HAND TOOL (SUPER SEAL REC CONTACT)					
SCALE	SIZE	DRAWING NO	SHEET	OF	REV
-	A3	1454509-2	1	1	A1

THIS INFORMATION IS CONFIDENTIAL AND PROPRIETARY TO TYCO ELECTRONICS CORPORATION AND ITS WORLDWIDE SUBSIDIARIES AND AFFILIATES (TE). IT MAY NOT BE DISCLOSED TO ANYONE, OTHER THAN TE PERSONNEL, WITHOUT AUTHORIZATION FROM TE (www.te.com).