



Chipsmall Limited consists of a professional team with an average of over 10 year of expertise in the distribution of electronic components. Based in Hongkong, we have already established firm and mutual-benefit business relationships with customers from,Europe,America and south Asia,supplying obsolete and hard-to-find components to meet their specific needs.

With the principle of "Quality Parts,Customers Priority,Honest Operation,and Considerate Service",our business mainly focus on the distribution of electronic components. Line cards we deal with include Microchip,ALPS,ROHM,Xilinx,Pulse,ON,Everlight and Freescale. Main products comprise IC,Modules,Potentiometer,IC Socket,Relay,Connector.Our parts cover such applications as commercial,industrial, and automotives areas.

We are looking forward to setting up business relationship with you and hope to provide you with the best service and solution. Let us make a better world for our industry!



Contact us

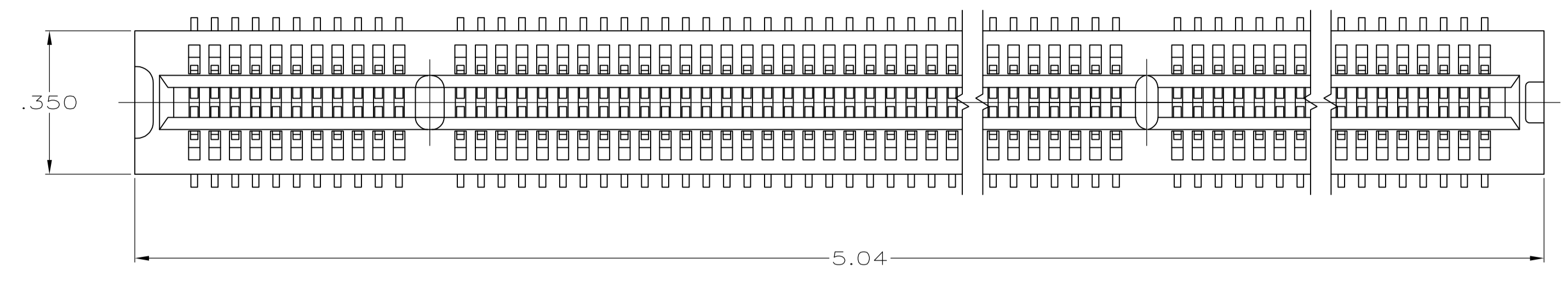
Tel: +86-755-8981 8866 Fax: +86-755-8427 6832

Email & Skype: info@chipsmall.com Web: www.chipsmall.com

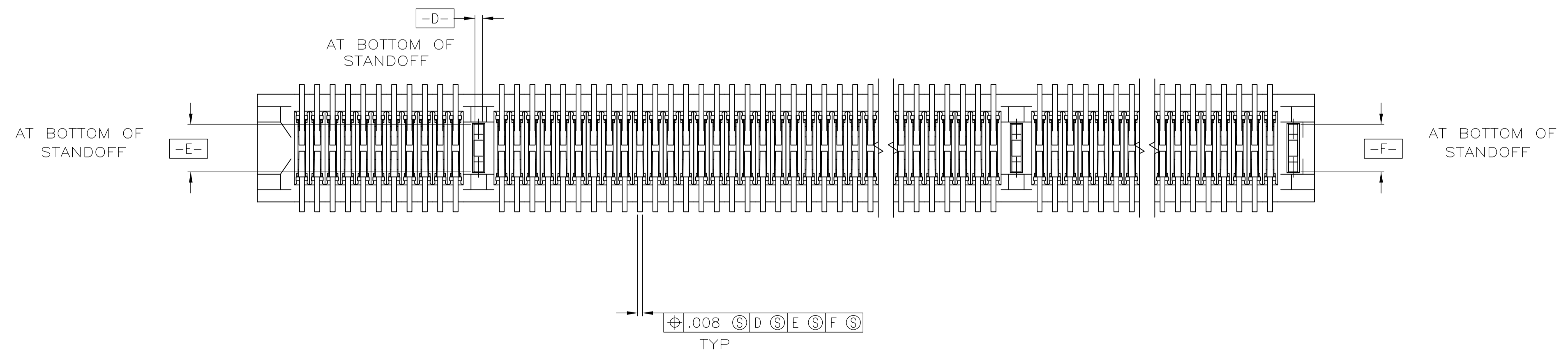
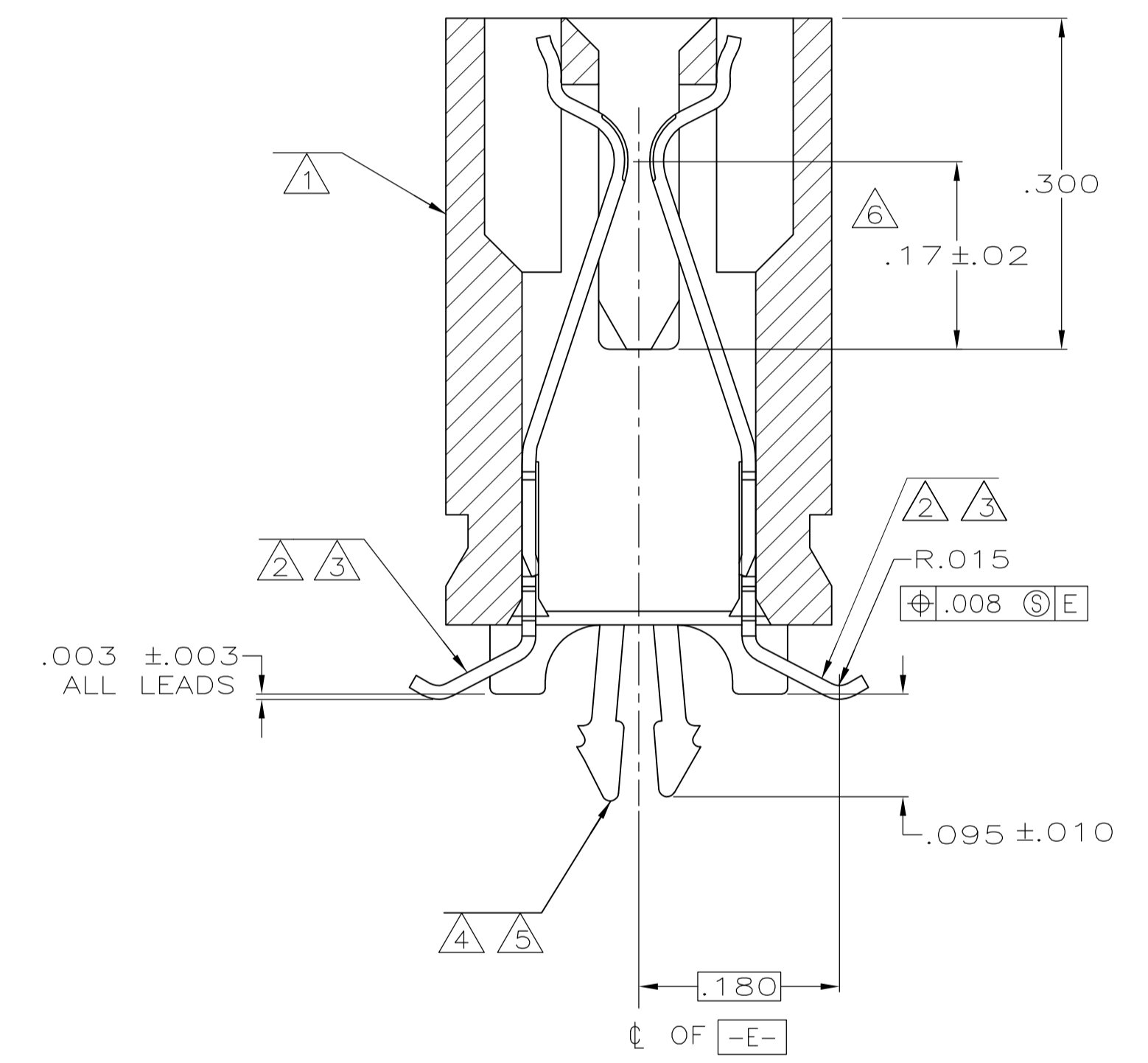
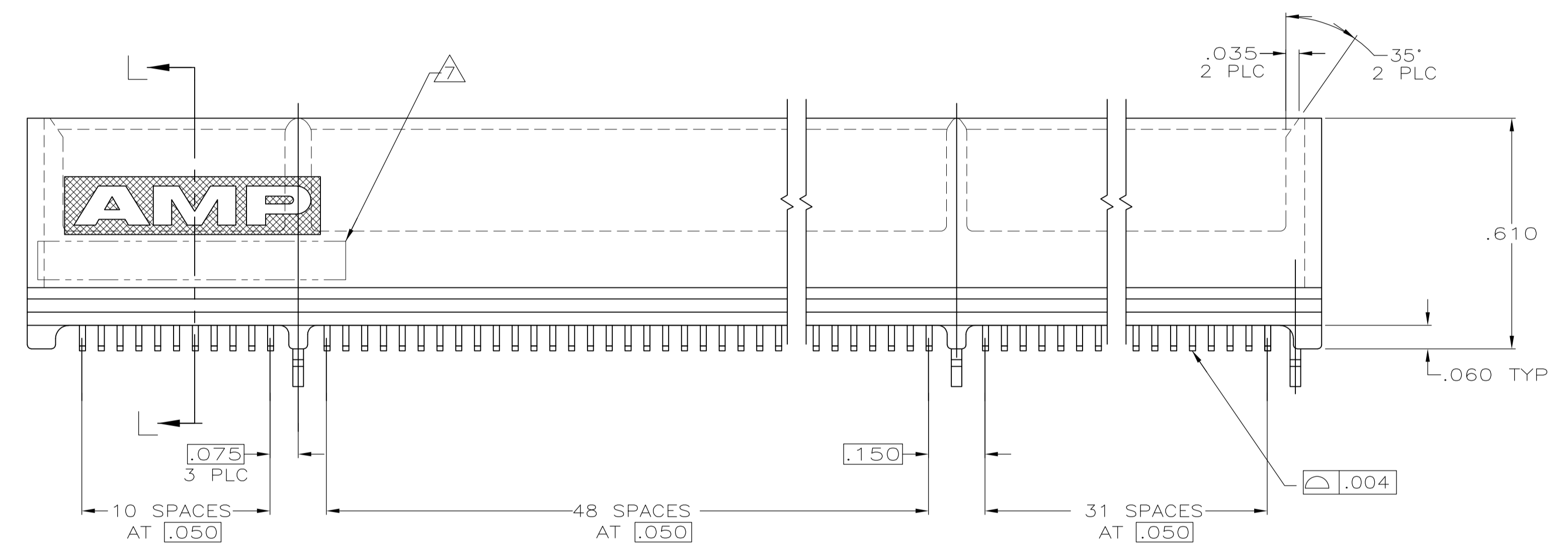
Address: A1208, Overseas Decoration Building, #122 Zhenhua RD., Futian, Shenzhen, China



LOC	DIST	P	F	ZONE	LTR	DESCRIPTION	DATE	APPD
GP	00							
				A		REV PER OS1B-0112-00	06/10/00	MM PD
				B		REV PER OS1B-0037-01	3/28/01	JB PD
				C		REV PER OS12-0121-03	10/23/03	RC MP
				C1		REV PER ECO-09-021826	07JAN10	KK AEG



- 1 HOUSING: HIGH TEMPERATURE THERMOPLASTIC.
- 2 CONTACT: PHOSPHOR BRONZE.
- 3 CONTACT FINISH: .000100 MIN NICKEL ALL OVER. .000030 MIN GOLD OVER NICKEL IN CONTACT AREA. .000100 MIN TIN-LEAD OVER NICKEL ON SOLDER TAILS.
- 4 METAL HOLD DOWN: BRASS
- 5 METAL HOLD DOWN FINISH: .000050 MIN NICKEL ALL OVER, .000150 MIN TIN-LEAD ALL OVER.
- 6 DISTANCE FROM CONTACT POINT TO BOTTOM OF CARD SLOT.
- 7 AMP PART NUMBER, DATE CODE AND CSA LOGO MARKED IN APPROXIMATE AREA SHOWN.
- 8 OBSOLETE PARTS: OBSOLETE CIS STREAMLINING PER D.RENAUD/D.SINISI

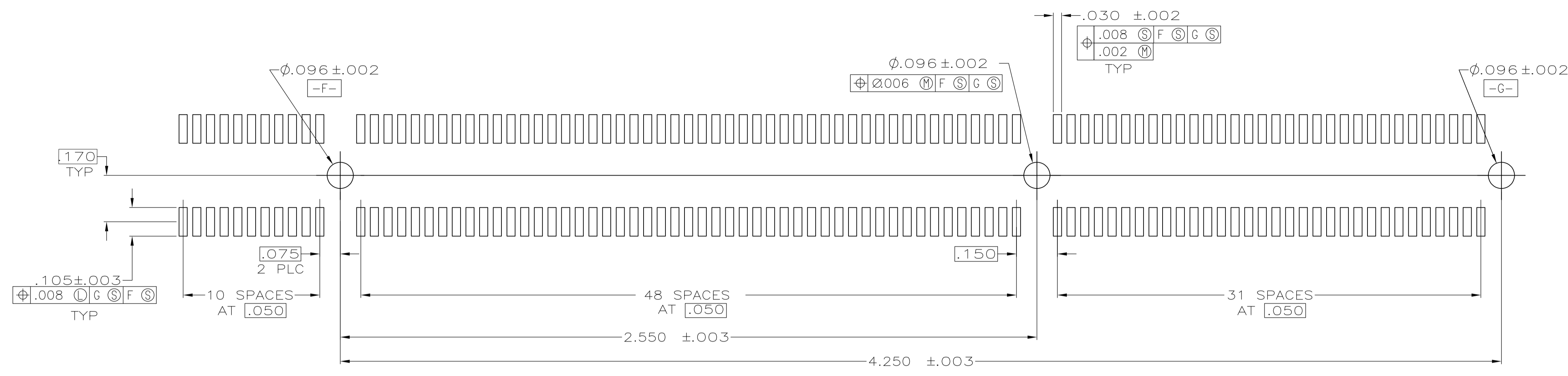


8	OBSOLETE	TUBE	145547-2
		TRAY	145547-1
		PACKAGING	PART NUMBER

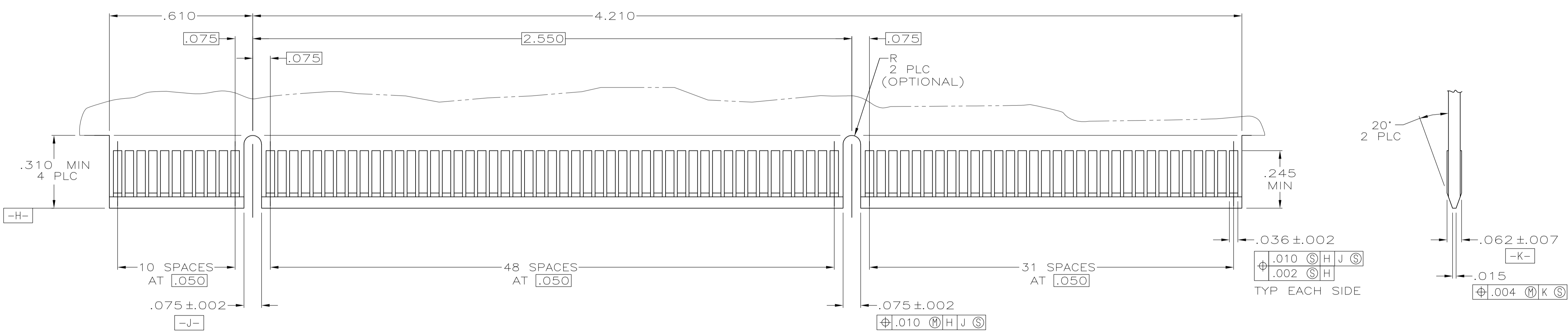
DO NOT SCALE PRINT. UNLESS SPECIFIED DIMENSIONS IN mm [INCHES] TOLERANCES ON : 2 PLC DEC ± .01 3 PLC DEC ± .005 ANGLES ± 2'		DR 15AUG99 M.MORRIS	PART NO	
MATERIAL		CHK 15AUG99 M BOWERS	AMP AMP Incorporated Harrisburg, PA 17105-3608	
FINISH		APPD 15AUG99 M BOWERS	NAME	
APPD 15AUG99 M.BOWERS		PRODUCT SPEC 108-14034	CONNECTOR ASSEMBLY, 92 DUAL POSITION, .050 SERIES, STANDARD EDGE SURFACE MOUNT	
APPLICATION SPEC 114-26012		SIZE D	CAGE CODE 00779	DRAWING NO C-145547
WEIGHT -		SCALE 4:1	SHEET 1 OF 2	

THIS DRAWING IS A CONTROLLED DOCUMENT FOR AMP INCORPORATED. IT IS SUBJECT TO CHANGE AND THE CONTROLLING ENGINEERING ORGANIZATION SHOULD BE CONTACTED FOR THE LATEST REVISION.

REVISIONS						
LOC	DIST	P	F	ZONE	LTR	DESCRIPTION
GP	00					SEE SHEET 1
						DATE
						APPD



RECOMMENDED CONNECTOR MOUNTING HOLE PATTERN
 (CONNECTOR SIDE SHOWN)



RECOMMENDED MATING BOARD EDGE CONFIGURATION

DO NOT SCALE PRINT. UNLESS SPECIFIED DIMENSIONS IN mm [INCHES] TOLERANCES - ON - 2 PLC DEC ± .01 3 PLC DEC ± .005 ANGLES ± 2'		DR 15AUG99 M.MORRIS		AMP Incorporated Harrisburg, PA 17105-3608	
MATERIAL SEE SHEET 1		CHK 15AUG99 M BOWERS			
FINISH SEE SHEET 1		APPD 15AUG99 M BOWERS		NAME CONNECTOR ASSEMBLY, 92 DUAL POSITION, .050 SERIES, STANDARD EDGE SURFACE MOUNT	
WEIGHT		APPD 15AUG99 M.BOWERS		PRODUCT SPEC 108-14034	
SCALE 4:1		APPLICATION SPEC 114-26012		SIZE D 00779	
SHEET 2 OF 2		DRAWING NO 145547			