



Chipsmall Limited consists of a professional team with an average of over 10 year of expertise in the distribution of electronic components. Based in Hongkong, we have already established firm and mutual-benefit business relationships with customers from,Europe,America and south Asia,supplying obsolete and hard-to-find components to meet their specific needs.

With the principle of “Quality Parts,Customers Priority,Honest Operation,and Considerate Service”,our business mainly focus on the distribution of electronic components. Line cards we deal with include Microchip,ALPS,ROHM,Xilinx,Pulse,ON,Everlight and Freescale. Main products comprise IC,Modules,Potentiometer,IC Socket,Relay,Connector.Our parts cover such applications as commercial,industrial, and automotives areas.

We are looking forward to setting up business relationship with you and hope to provide you with the best service and solution. Let us make a better world for our industry!



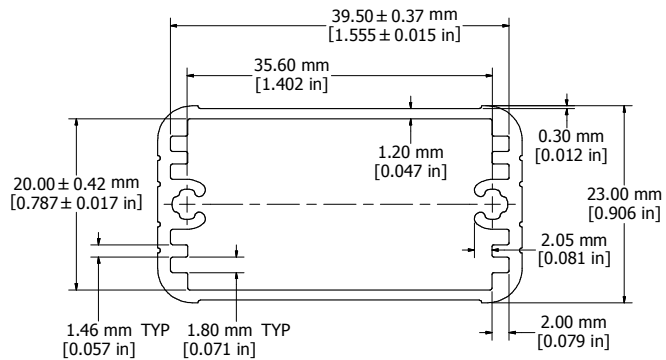
Contact us

Tel: +86-755-8981 8866 Fax: +86-755-8427 6832

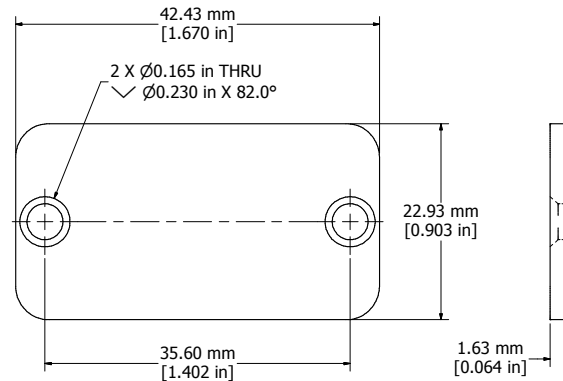
Email & Skype: info@chipsmall.com Web: www.chipsmall.com

Address: A1208, Overseas Decoration Building, #122 Zhenhua RD., Futian, Shenzhen, China

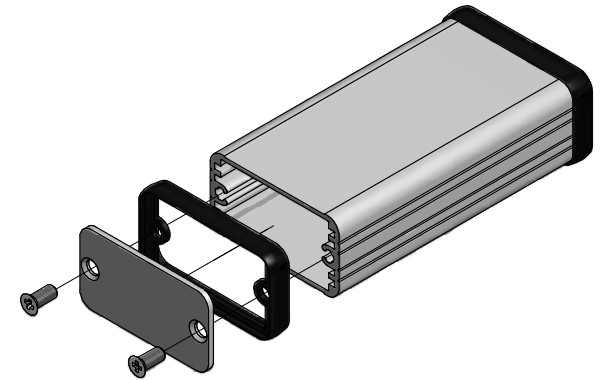




EXTRUSION PROFILE

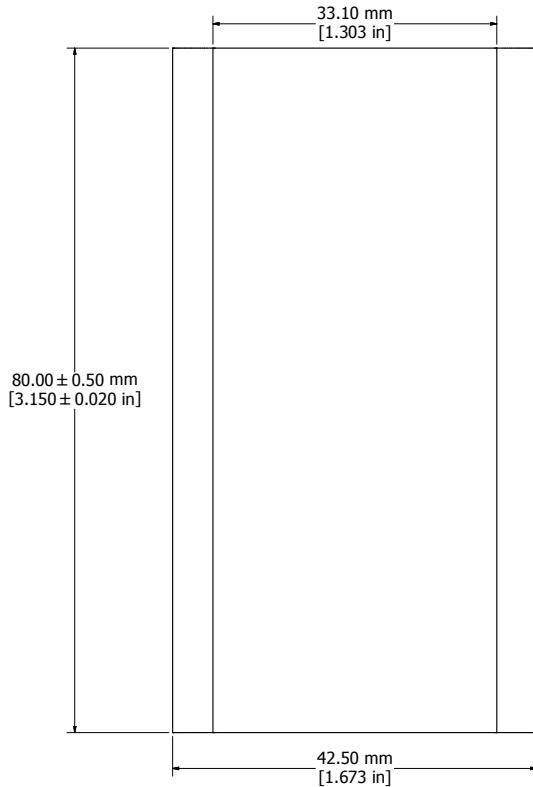


ENDPLATE

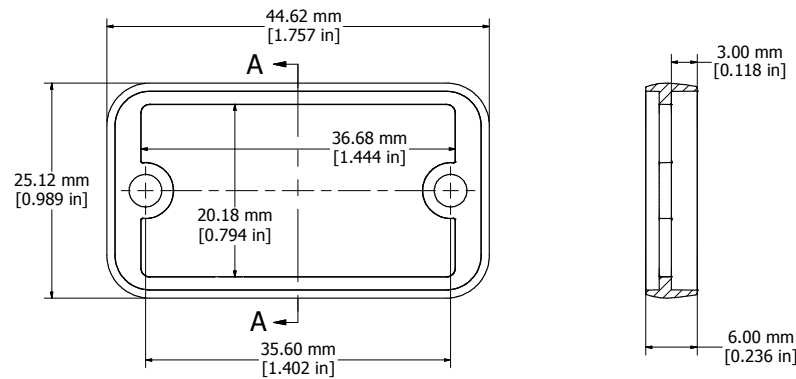


EXPLODED ASSEMBLY VIEW

****DESIGNED FOR 39MM WIDE PC BOARD****



OPEN BEZEL



SECTION A-A

Enclosures can be Factory Modified (Milling, Drilling, Printing etc.)
 Contact Factory mjm@hammondmfg.com for quotes
 Solid models of this enclosure available in STEP or IGES.

NOTE

Purchased assembly includes box, plastic bezels, End Panels, Custom #6 Taptight screws and self adhesive rubber feet
 Box made from Extruded Aluminum 6063-T5
 Bezels made with polycarbonate.
 End Plates made from 5052-H32 Aluminum

1455D801

PART NUMBERS

Clear Anodized	1455D801
Black Anodized	1455D801BK
Blue Anodized	1455D801BU
Red Anodized	1455D801RD

ACCESSORIES

See website for accessories.

HAMMOND MANUFACTURING™
1455D801
www.hammondmfg.com