



Chipsmall Limited consists of a professional team with an average of over 10 year of expertise in the distribution of electronic components. Based in Hongkong, we have already established firm and mutual-benefit business relationships with customers from,Europe,America and south Asia,supplying obsolete and hard-to-find components to meet their specific needs.

With the principle of "Quality Parts,Customers Priority,Honest Operation,and Considerate Service",our business mainly focus on the distribution of electronic components. Line cards we deal with include Microchip,ALPS,ROHM,Xilinx,Pulse,ON,Everlight and Freescale. Main products comprise IC,Modules,Potentiometer,IC Socket,Relay,Connector.Our parts cover such applications as commercial,industrial, and automotives areas.

We are looking forward to setting up business relationship with you and hope to provide you with the best service and solution. Let us make a better world for our industry!



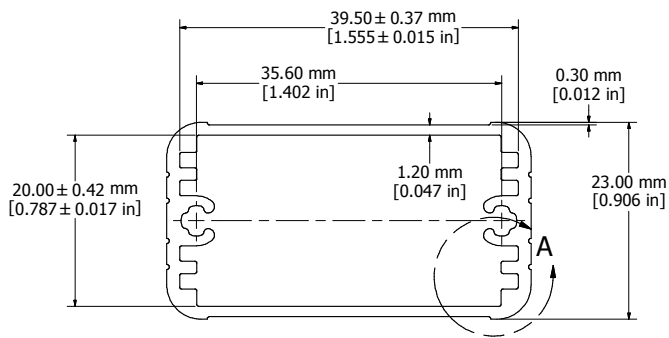
Contact us

Tel: +86-755-8981 8866 Fax: +86-755-8427 6832

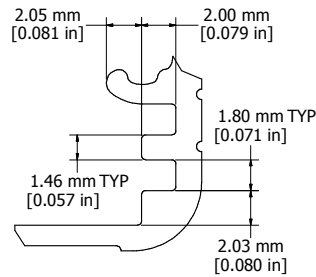
Email & Skype: info@chipsmall.com Web: www.chipsmall.com

Address: A1208, Overseas Decoration Building, #122 Zhenhua RD., Futian, Shenzhen, China

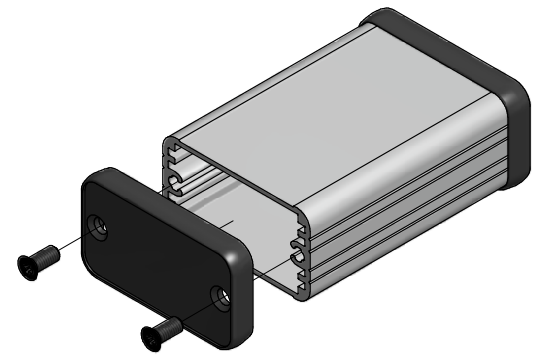




EXTRUSION PROFILE

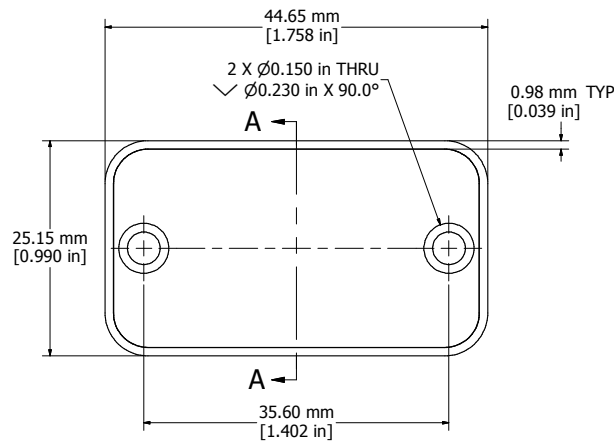
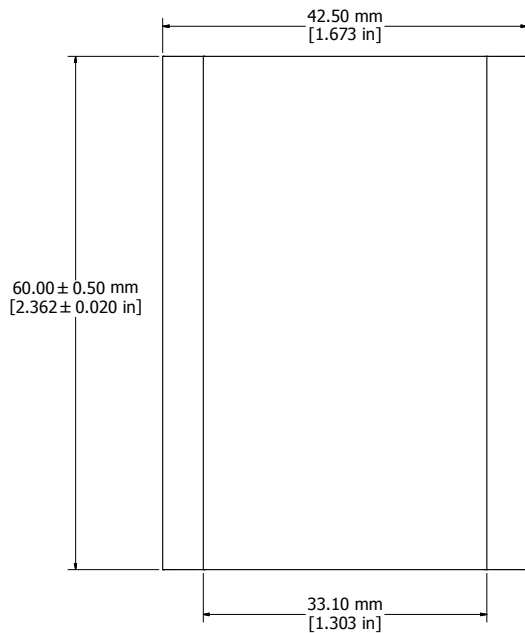


DETAIL A

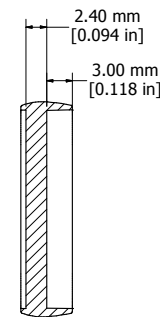


EXPLODED ASSEMBLY VIEW

DESIGNED FOR 39MM WIDE PC BOARD



CLOSED BEZEL



SECTION A-A

Enclosures can be Factory Modified (Milling, Drilling, Printing etc.)
 Contact Factory mjm@hammondmfg.com for quotes
 Solid models of this enclosure available in STEP or IGES.

NOTE	
Purchased assembly includes box, plastic bezels, Custom #6 Taptight screws and self adhesive rubber feet	
Box made from Extruded Aluminum 6063-T5	
Bezels made with polycarbonate.	
1455D602	
PART NUMBERS	
Clear Anodized	1455D602
Black Anodized	1455D602BK
ACCESSORIES	
See website for accessories.	

HAMMOND MANUFACTURING™
1455D602
www.hammondmfg.com