



Chipsmall Limited consists of a professional team with an average of over 10 year of expertise in the distribution of electronic components. Based in Hongkong, we have already established firm and mutual-benefit business relationships with customers from,Europe,America and south Asia,supplying obsolete and hard-to-find components to meet their specific needs.

With the principle of “Quality Parts,Customers Priority,Honest Operation,and Considerate Service”,our business mainly focus on the distribution of electronic components. Line cards we deal with include Microchip,ALPS,ROHM,Xilinx,Pulse,ON,Everlight and Freescale. Main products comprise IC,Modules,Potentiometer,IC Socket,Relay,Connector.Our parts cover such applications as commercial,industrial, and automotives areas.

We are looking forward to setting up business relationship with you and hope to provide you with the best service and solution. Let us make a better world for our industry!



Contact us

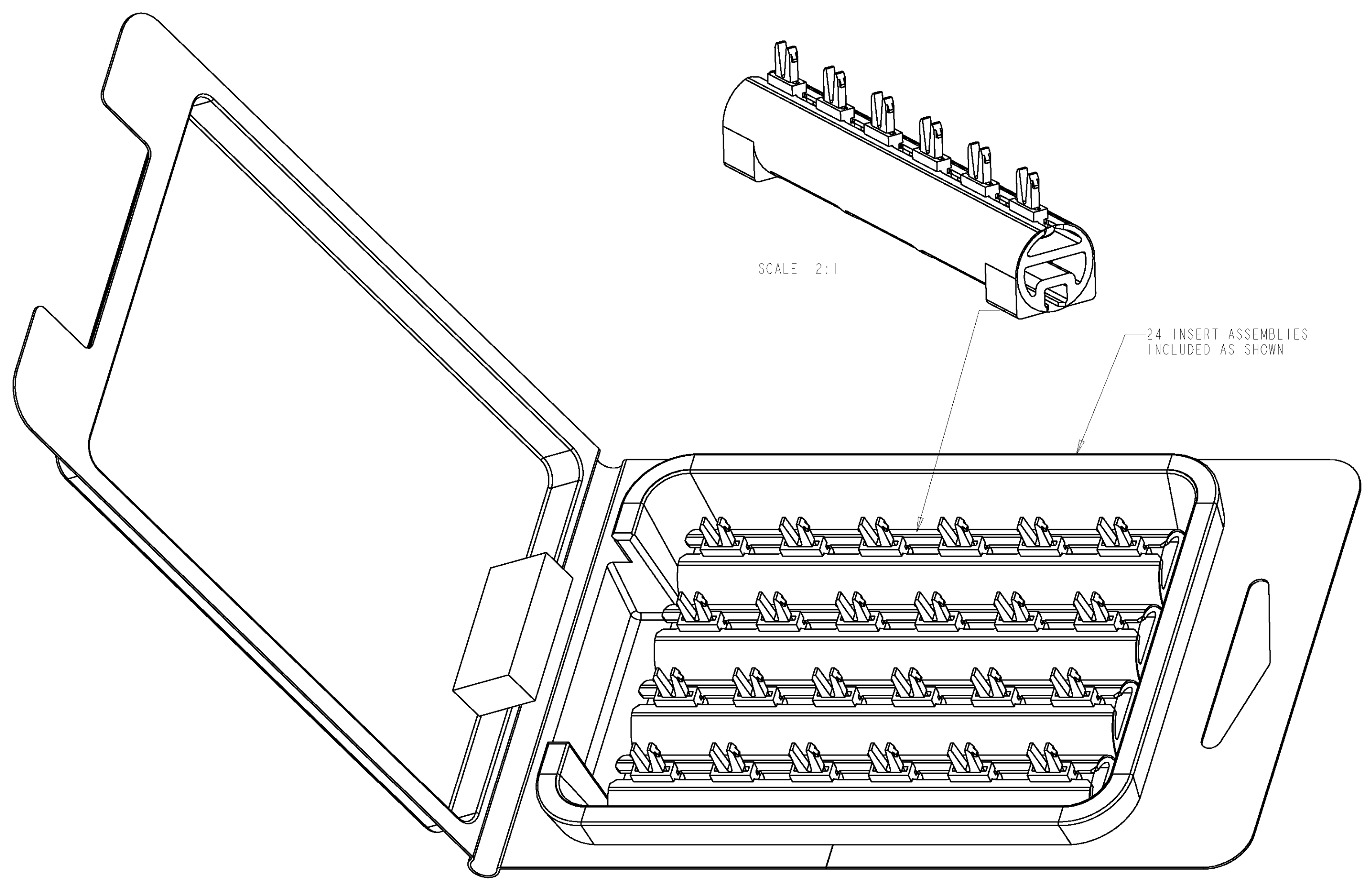
Tel: +86-755-8981 8866 Fax: +86-755-8427 6832

Email & Skype: info@chipsmall.com Web: www.chipsmall.com

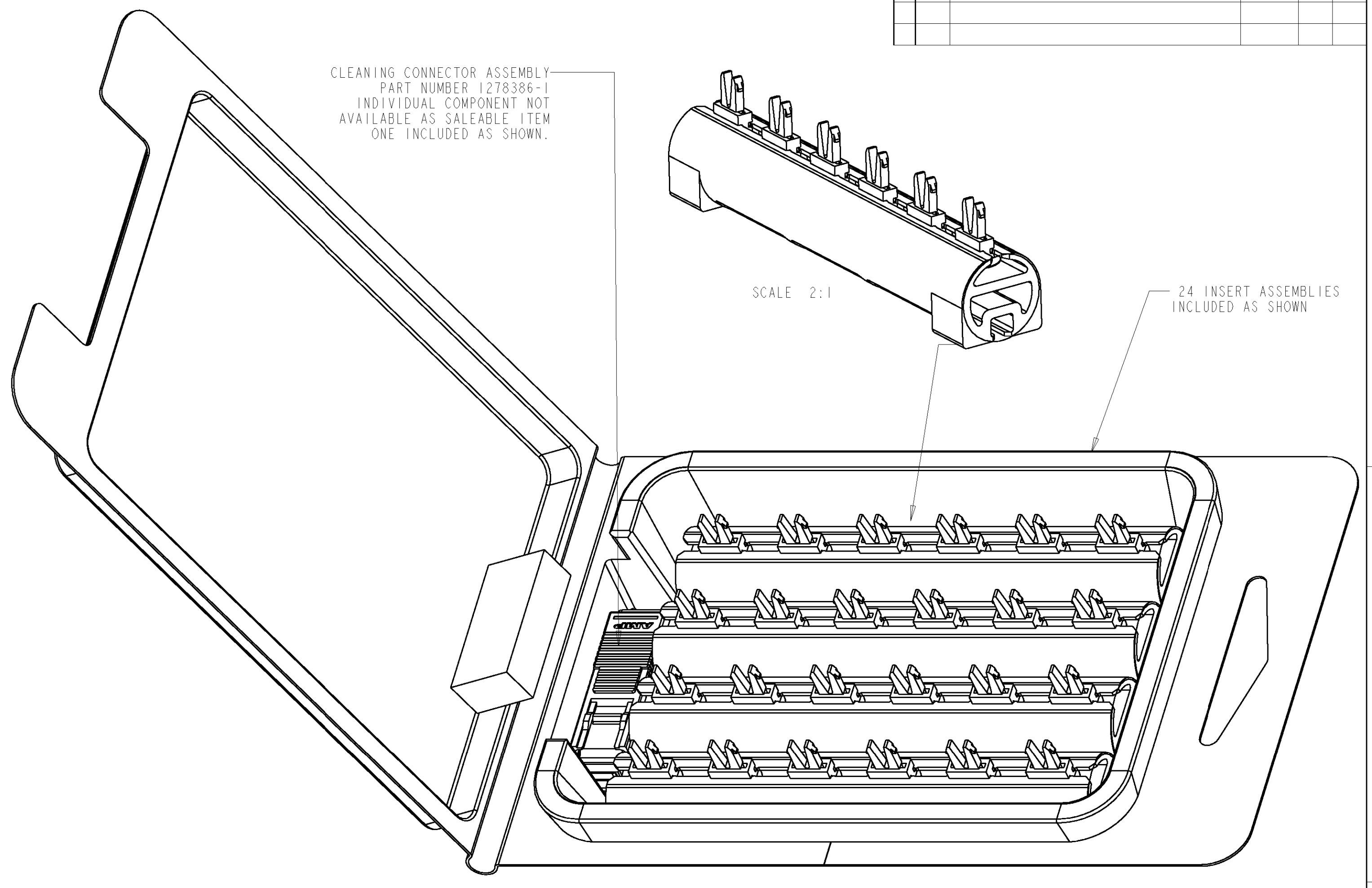
Address: A1208, Overseas Decoration Building, #122 Zhenhua RD., Futian, Shenzhen, China



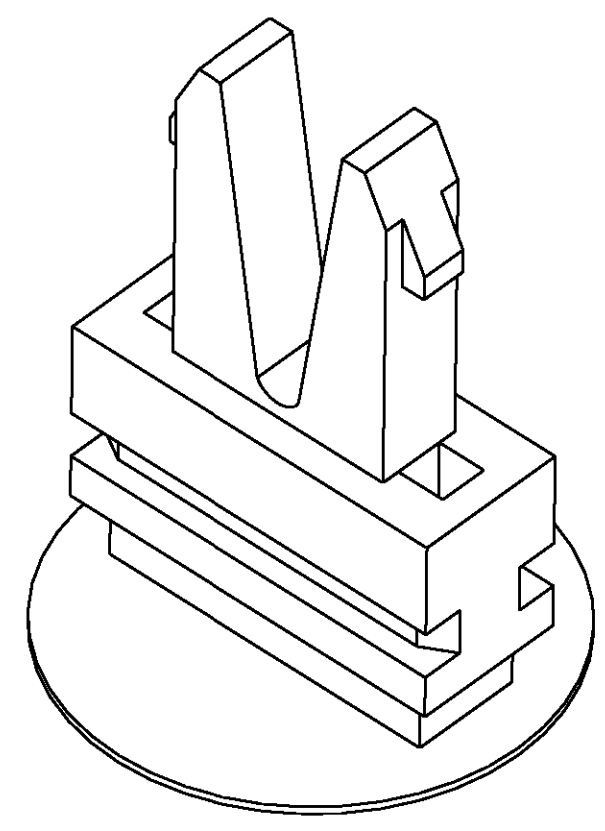
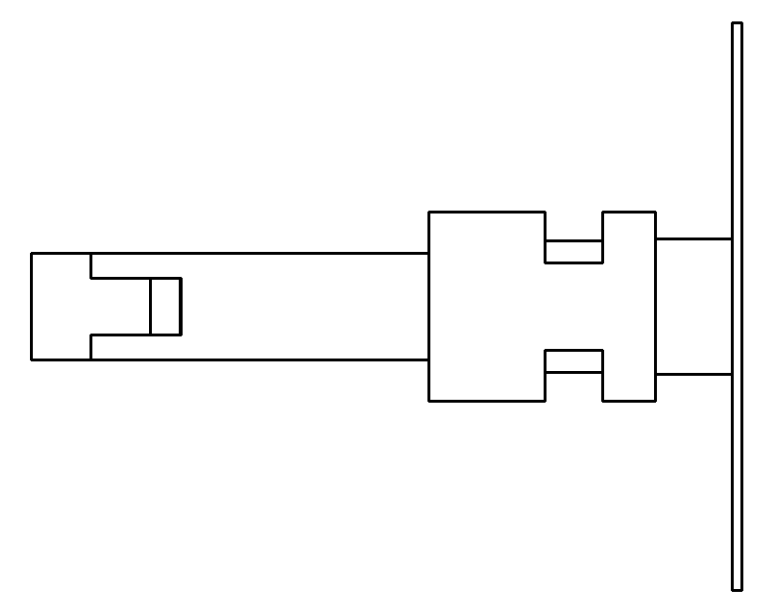
LOC	DIST	REVISIONS				
		REV	DESCRIPTION	DATE	DWN	APPD
CE	16	0	REL PER NPR 00-775	12SEP2000	LGE	SH
		A	REV PER ECN 00B0-0078-01	26JAN2001	LM	SH



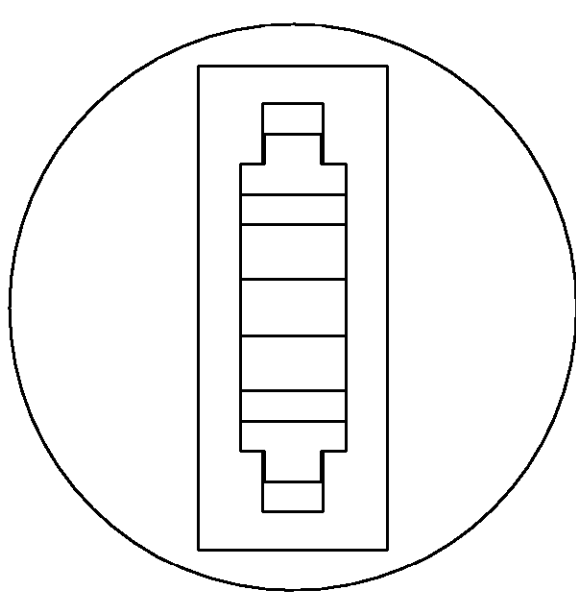
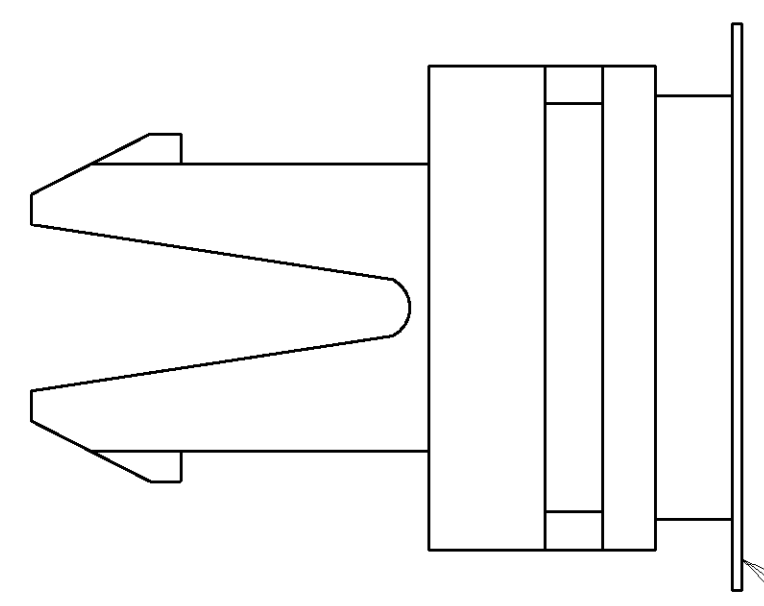
1457019-3
 SCALE 2:1
 INCLUDES 24 INSERT ASSEMBLIES



1457019-2
 SCALE 2:1
 INCLUDES 24 INSERT ASSEMBLIES
 AND ONE CLEANING CONNECTOR ASSEMBLY



INDIVIDUAL INSERT FOR REF ONLY



PART NO	DESCRIPTION	ITEM NO
1457019-3	CLEANING KIT, LIGHTRAY MPX	2
1457019-2	CLEANING KIT, LIGHTRAY MPX	1

<small>THIS DRAWING IS A CONTROLLED DOCUMENT FOR AMP INCORPORATED. ALL CHANGES TO THIS DRAWING AND THE CONTROLLED DOCUMENTATION SHOULD BE CONTACTED FOR THE LATEST REVISION.</small>		DWN: T.G. EBY 12SEP2000 EBY: S. HILKER 14SEP2000 APPD: S. HILKER 14SEP2000	AMP Tyco Electronics Harrisburg, PA 17105-3608
DIMENSIONS: mm 	TOLERANCES UNLESS OTHERWISE SPECIFIED: 0 PLC ± 1 PLC ±0.5 2 PLC ±0.13 3 PLC ±0.013 4 PLC ±0.0001 ANGLES ±	NAME: CLEANING KIT LIGHTRAY MPX PRODUCT SPEC: APPLICATION SPEC: WEIGHT: MATERIAL:	SIZE: A1 CAGE CODE: 00779 DRAWING NO: 1457019 SCALE: NTS SHEET 1 OF 1 REV A
CUSTOMER DRAWING			