



Chipsmall Limited consists of a professional team with an average of over 10 year of expertise in the distribution of electronic components. Based in Hongkong, we have already established firm and mutual-benefit business relationships with customers from,Europe,America and south Asia,supplying obsolete and hard-to-find components to meet their specific needs.

With the principle of "Quality Parts,Customers Priority,Honest Operation,and Considerate Service",our business mainly focus on the distribution of electronic components. Line cards we deal with include Microchip,ALPS,ROHM,Xilinx,Pulse,ON,Everlight and Freescale. Main products comprise IC,Modules,Potentiometer,IC Socket,Relay,Connector.Our parts cover such applications as commercial,industrial, and automotives areas.

We are looking forward to setting up business relationship with you and hope to provide you with the best service and solution. Let us make a better world for our industry!



Contact us

Tel: +86-755-8981 8866 Fax: +86-755-8427 6832

Email & Skype: info@chipsmall.com Web: www.chipsmall.com

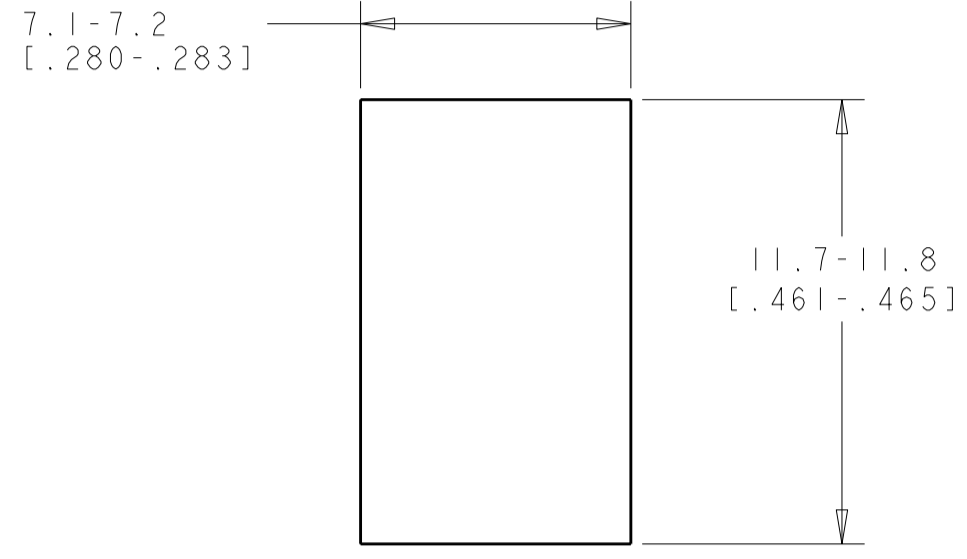
Address: A1208, Overseas Decoration Building, #122 Zhenhua RD., Futian, Shenzhen, China



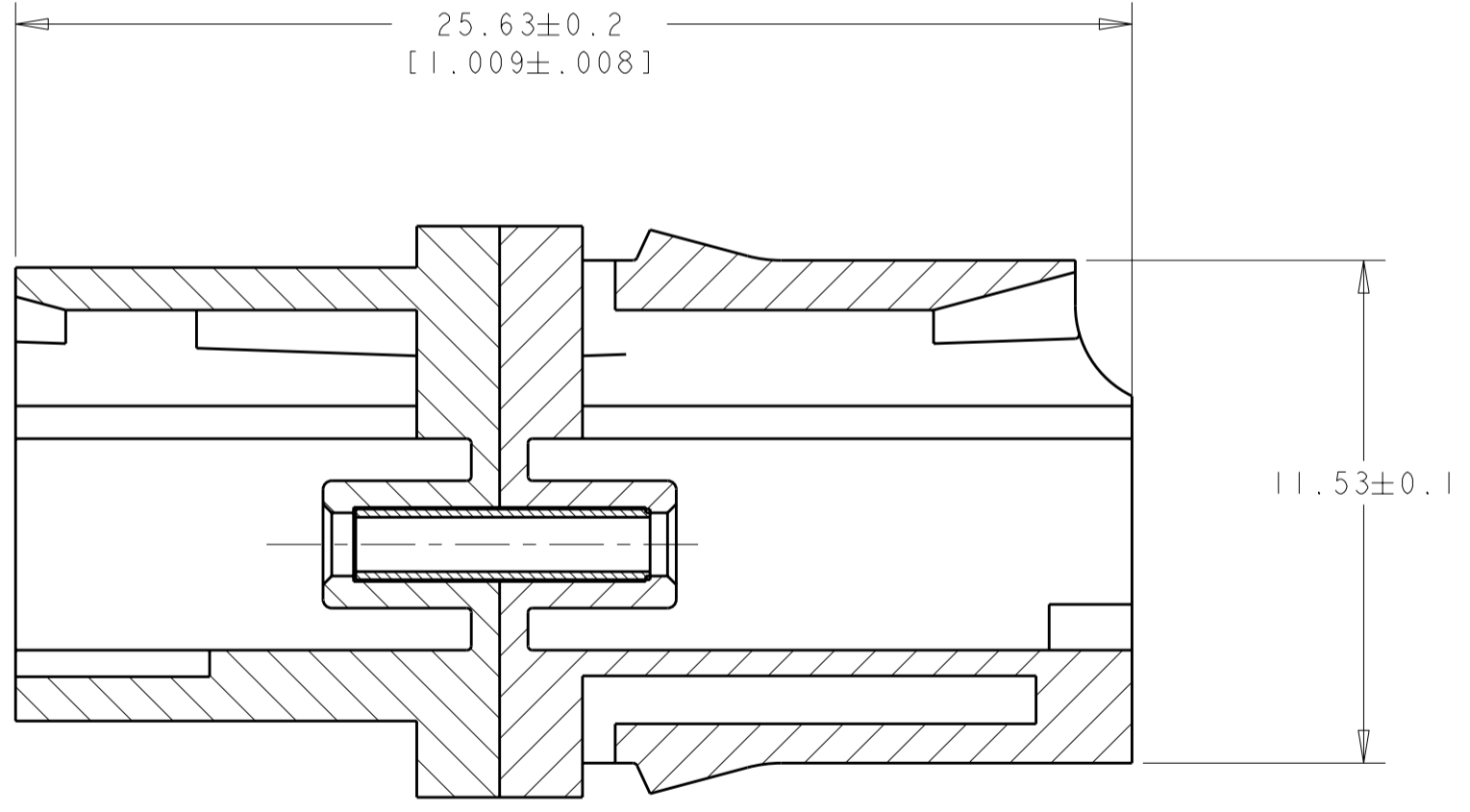
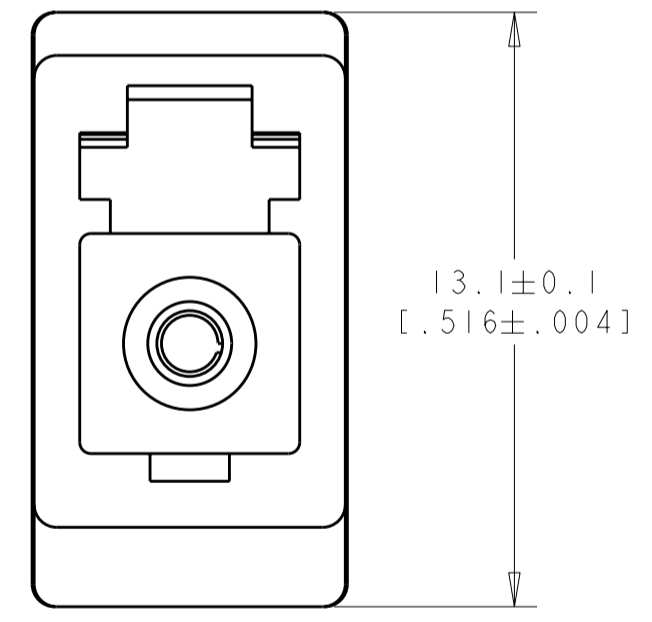
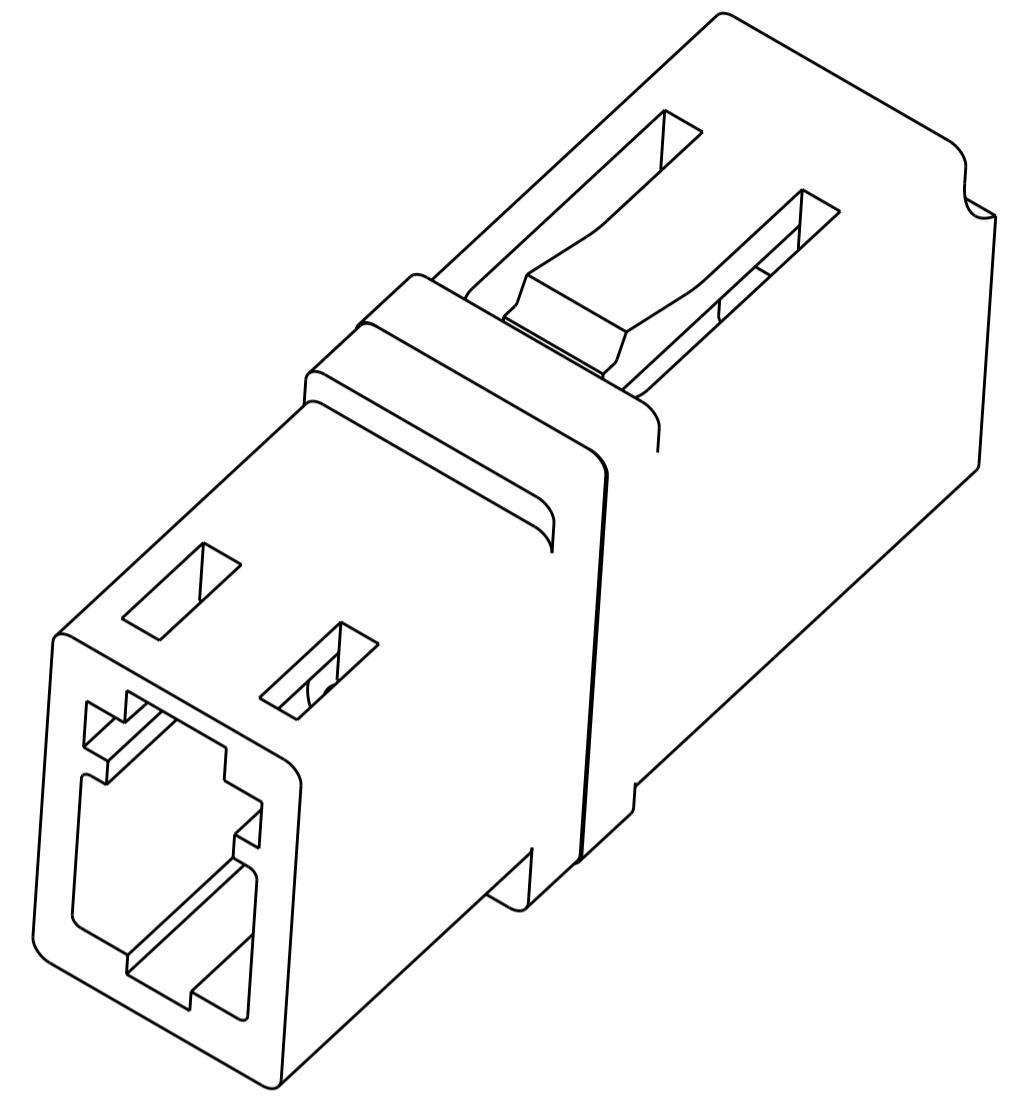
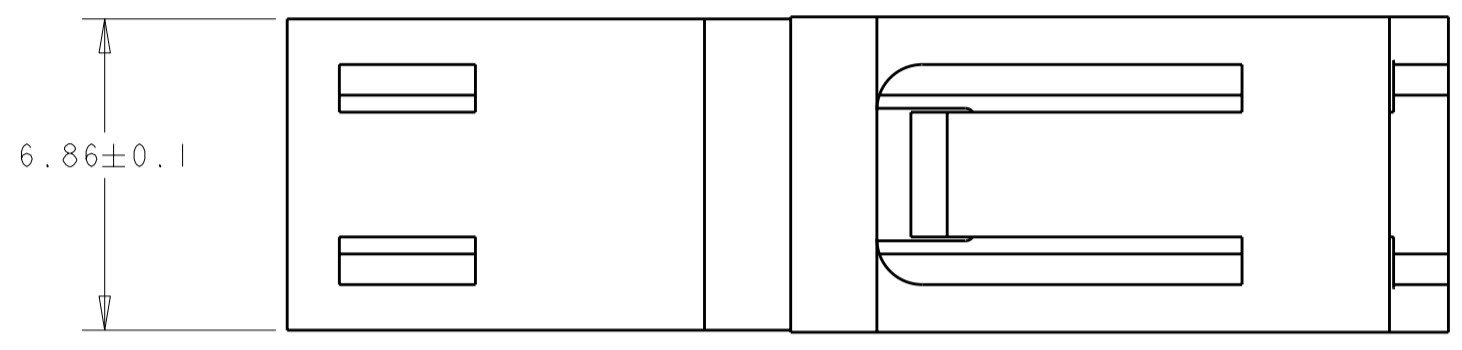
THIS DRAWING IS UNPUBLISHED. RELEASED FOR PUBLICATION
 © COPYRIGHT BY TYCO ELECTRONICS CORPORATION. ALL INTERNATIONAL RIGHTS RESERVED.

LOC	DIST	REVISIONS			
P	LTR	DESCRIPTION	DATE	DWN	APVD
	A	REVISE PER 0A00-0505-04	27SEP2004	BB	CB
	A1	REV PER ECR-10-016231	09AUG2010	IL	CT

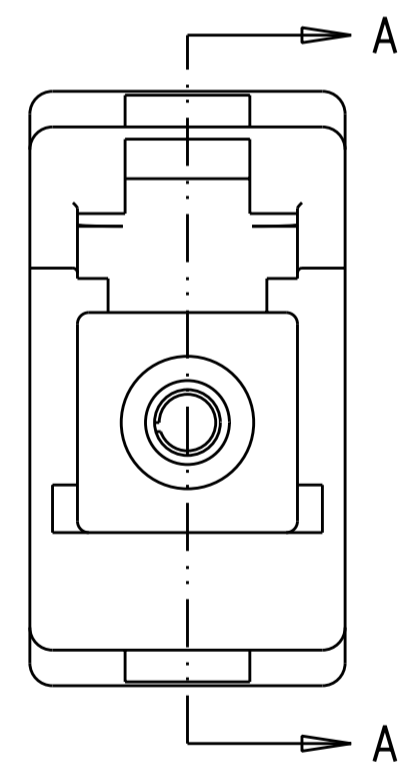
RECOMMENDED PANEL CUTOUT



PANEL THICKNESS: 1.2 / 1.7



SECTION A-A



BEIGE	CERAMIC	1457062-2
BLUE	CERAMIC	1457062-1
COLOR	SLEEVE MAT'L	PART NUMBER

1 MATERIAL:
 HOUSING - THERMOPLASTIC, UL 94 V-0
 DUST COVERS - THERMOPLASTIC ELASTOMER
 ALIGNMENT SLEEVE - SEE TABLE
 2. TWO DUST COVERS INCLUDED - NOT SHOWN

<small>THIS DRAWING IS A CONTROLLED DOCUMENT FOR TYCO ELECTRONICS CORPORATION. IT IS SUBJECT TO CHANGE AND THE CONTROLLING ENGINEERING ORGANIZATION SHOULD BE CONTACTED FOR THE LATEST REVISION.</small>		DWN M. GURRERI 27SEP2000 CHK D. ERDMAN 27SEP2000 APVD S. BUCHTER 27SEP2000	Tyco Electronics Corporation Shanghai, China
DIMENSIONS: mm [INCHES]	TOLERANCES UNLESS OTHERWISE SPECIFIED: 0 PLC ± 1 PLC ± 2 PLC ± 3 PLC ± 4 PLC ± ANGLES ± FINISH -	PRODUCT SPEC - APPLICATION SPEC - WEIGHT -	NAME ADAPTER, SIMPLEX, LC SIZE A2 CAGE CODE C-1457062 DRAWING NO. 1457062 RESTRICTED TO -
MATERIAL - 1		CUSTOMER DRAWING	SCALE 6:1 SHEET 1 OF 1 REV A1