



Chipsmall Limited consists of a professional team with an average of over 10 year of expertise in the distribution of electronic components. Based in Hongkong, we have already established firm and mutual-benefit business relationships with customers from,Europe,America and south Asia,supplying obsolete and hard-to-find components to meet their specific needs.

With the principle of “Quality Parts,Customers Priority,Honest Operation,and Considerate Service”,our business mainly focus on the distribution of electronic components. Line cards we deal with include Microchip,ALPS,ROHM,Xilinx,Pulse,ON,Everlight and Freescale. Main products comprise IC,Modules,Potentiometer,IC Socket,Relay,Connector.Our parts cover such applications as commercial,industrial, and automotives areas.

We are looking forward to setting up business relationship with you and hope to provide you with the best service and solution. Let us make a better world for our industry!



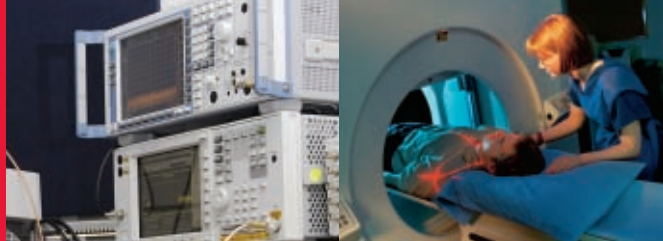
## Contact us

Tel: +86-755-8981 8866 Fax: +86-755-8427 6832

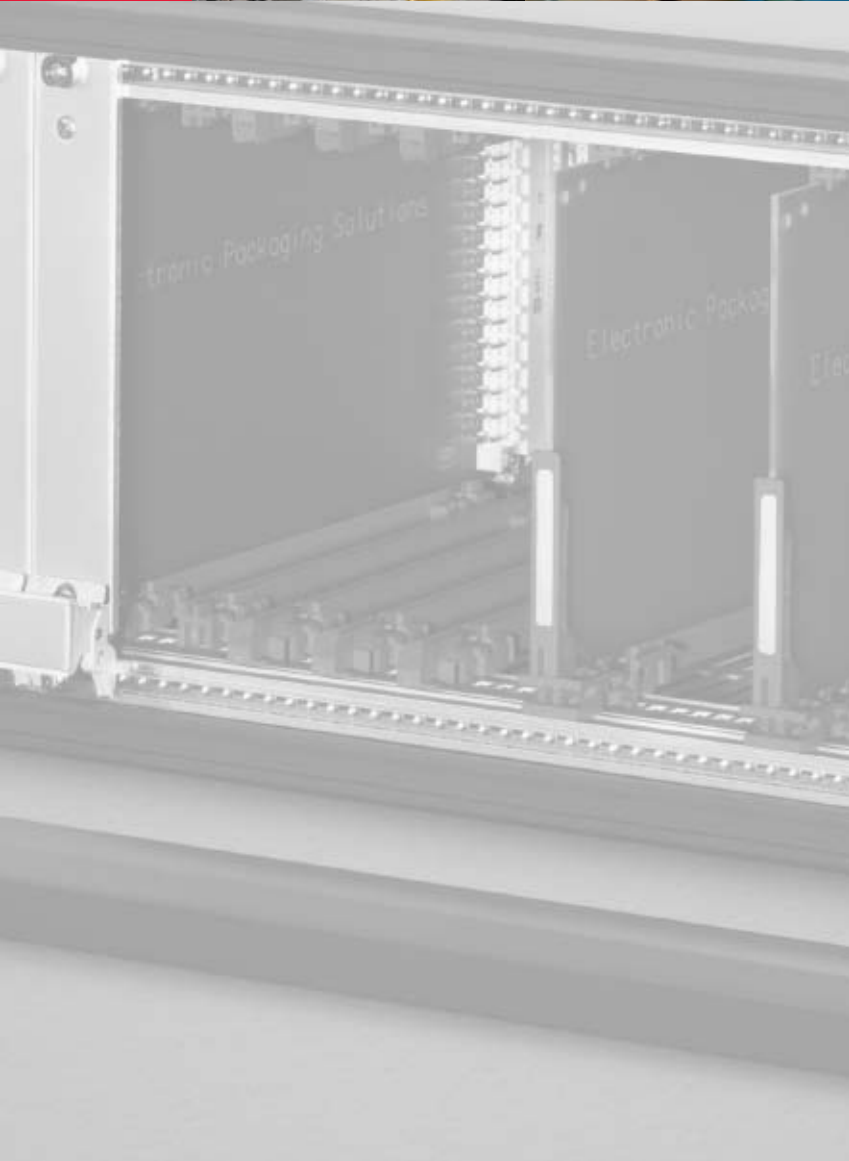
Email & Skype: info@chipsmall.com Web: www.chipsmall.com

Address: A1208, Overseas Decoration Building, #122 Zhenhua RD., Futian, Shenzhen, China





## Electronic Cases



2009 Edition

# Perfect Combination

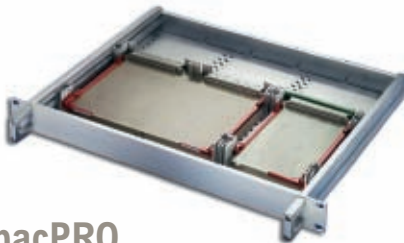
Form and function for measurement, instrumentation and control technology in a wide range of industries



- Medical instrumentation
- Lab/data analysis
- Communications diagnostics

## Electronic Cases

- High quality protection for sensitive electronics
- Effective EMC shielding concepts
- Flexible design emphasis



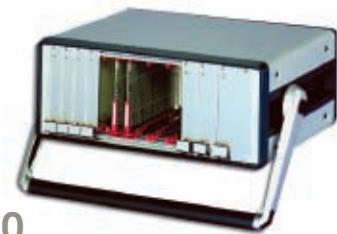
## multipacPRO

- Ideal for all low profile rackmounted chassis applications
- Available in sheet metal version for volume requirements
- Perfect 'pizza boxes' slot in 1U and 2U sizes



## inpac

- Ideal for heavy duty industrial
- 19" rack mount applications
- Top and bottom covers easily removed for access
- Rugged diecast and extruded framework
- Cost-effective solution



## compacPRO

- Ideal for Medical, Test, or VME based applications
- Available in desktop or portable models
- Easily customized
- Rugged diecast and extruded framework
- Top and bottom covers easily removed for access
- Adjustable tip-up handle



## ratiopacPRO/-air

- Aesthetic, flexible design – perfect for instrumentation
- High Performance EMC option
- Available in rackmount, desktop, and tower models
- Efficient thermal management



## comptec

- Ideal as the 'desk top cabinet' for applications where there is a need to house 19" rackmounted equipment
- Applications: R & D Labs, demo equipment, table top cabinet requirements
- Rugged diecast and extruded frame



## Test and Measurement

Schroff cases provide mounting for a wide variety of electronic equipment including:

- VME/CPCI boards
- Power supplies
- Motherboards
- Test panels
- Custom front/rear panels
- Cooling

They can be configured to handle a wide range of applications in test measurement from photonics, to communications diagnostics, to chromatography to portable data acquisition.

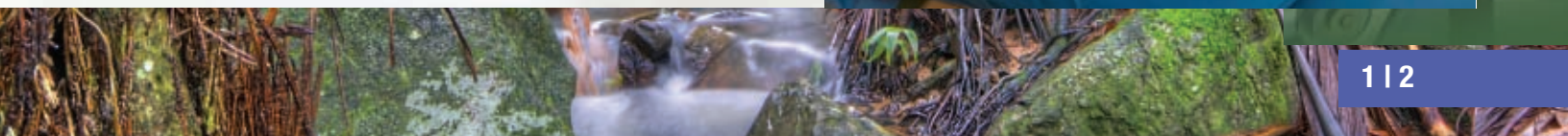
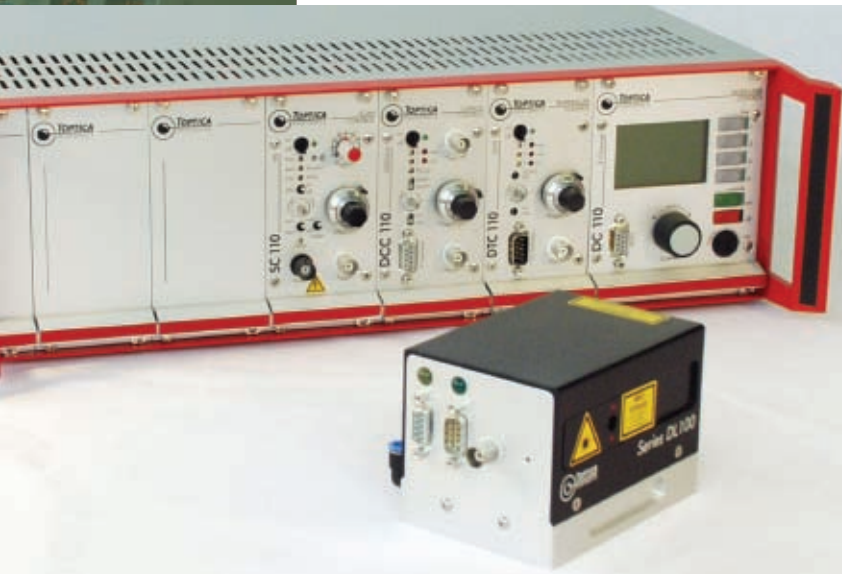
## Medical

Schroff electronic cases are the perfect solution for a range of medical applications including:

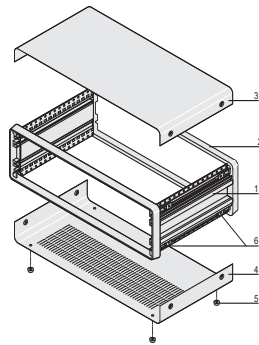
- Electro-surgical equipment
- Embedded systems
- Portable diagnostic equipment
- Available in standard and EMC configurations

The cases feature:

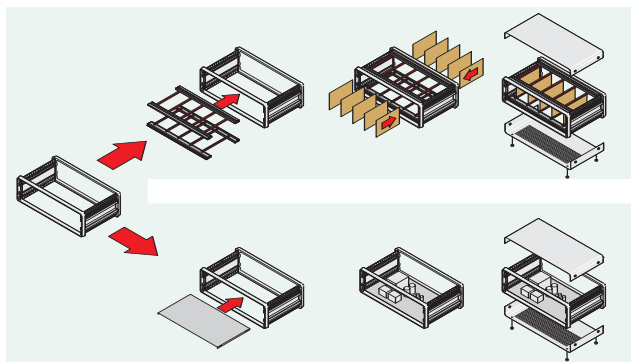
- Rugged construction
- Easy to clean surfaces
- Aesthetic design
- Easily customized
- Accommodates a range of board and component modules
- Wide range of accessories



# compacPRO



- Cost effective, rugged case for desktop or portable applications
- Pre-mounted, empty case for individual assembly
- Flexible assemblies, prepared for 19" components or individual assembly, e.g. with chassis plate
- Die-cast frame front and rear, highly stable through one-piece design and panel dimensioning
- Wide range of accessories, coordinated for mobile applications
- Non-sensitive, scratch-resistant surfaces through powder coating up-to-date color design
- Top cover and base plate removable subsequently
- Full-width front panel without visible screws
- Individual mounting service from 1 case
- Full range of accessories including tip-up handles, filler panels and equipment mounting

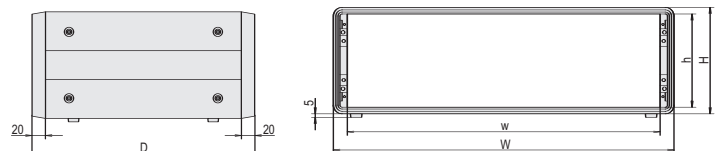


### Delivery includes (kit, item 1 and 2 assembled)

Item	Qty	Description
1	2	Side panel, Al extrusion, RAL 7016
2	2	Frame, Al die-cast, RAL 7016
3	1	Cover, Al, 1.5mm, RAL 9006, with GND/earthing connection
4	1	Base with perforation, Al, 1.5mm, RAL 9006, with GND/earthing connection
5	4	Case foot with anti-slip protection, PC, black
6	8	Mounting adapter cover plate, pre-mounted
7	1	The assembly kit allows to assemble a full-width front panel and a rear panel additionally

### Ordering Information

Height U	Usable width HP	Width W mm	Width w mm	Height H mm	Height h mm	Depth D mm	Order no.
2	42	257	219	102.6	84.4	271	<b>14575-023</b>
2	42	257	219	102.6	84.4	331	<b>14575-025</b>
2	42	257	219	102.6	84.4	391	<b>14575-027</b>
2	84	471	432	102.6	84.4	271	<b>14575-063</b>
2	84	471	432	102.6	84.4	331	<b>14575-065</b>
2	84	471	432	102.6	84.4	391	<b>14575-067</b>
3	28	186	148	147.1	129.3	271	<b>14575-103</b>
3	28	186	148	147.1	129.3	331	<b>14575-105</b>
3	42	257	219	147.1	129.3	271	<b>14575-123</b>
3	42	257	219	147.1	129.3	331	<b>14575-125</b>
3	42	257	219	147.1	129.3	391	<b>14575-127</b>
3	63	364	326	147.1	129.3	271	<b>14575-143</b>
3	63	364	326	147.1	129.3	331	<b>14575-145</b>
3	63	364	326	147.1	129.3	391	<b>14575-147</b>
3	84	471	432	147.1	129.3	271	<b>14575-163</b>
3	84	471	432	147.1	129.3	331	<b>14575-165</b>
3	84	471	432	147.1	129.3	391	<b>14575-167</b>
3	84	471	432	147.1	129.3	451	<b>14575-169</b>
3	84	471	432	147.1	129.3	511	<b>14575-171</b>
4	42	257	219	191.6	173.8	271	<b>14575-223</b>
4	42	257	219	191.6	173.8	331	<b>14575-225</b>
4	63	364	326	191.6	173.8	271	<b>14575-243</b>
4	63	364	326	191.6	173.8	331	<b>14575-245</b>
4	63	364	326	191.6	173.8	391	<b>14575-247</b>
4	84	471	432	191.6	173.8	331	<b>14575-265</b>
4	84	471	432	191.6	173.8	391	<b>14575-267</b>
4	84	471	432	191.6	173.8	451	<b>14575-269</b>
4	84	471	432	191.6	173.8	511	<b>14575-271</b>



For more product information  
visit us at [www.schroff.us/oneclick](http://www.schroff.us/oneclick)  
Type Order No. into oneClick and click "search"

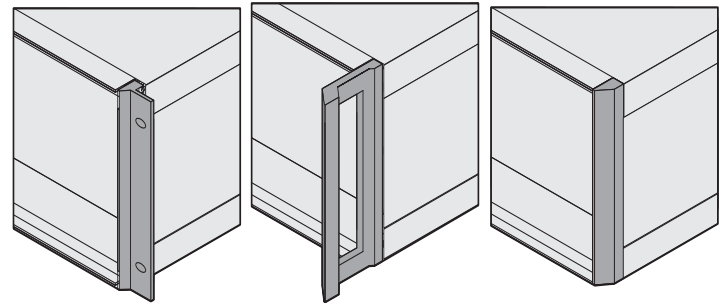
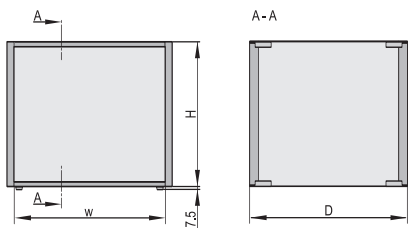
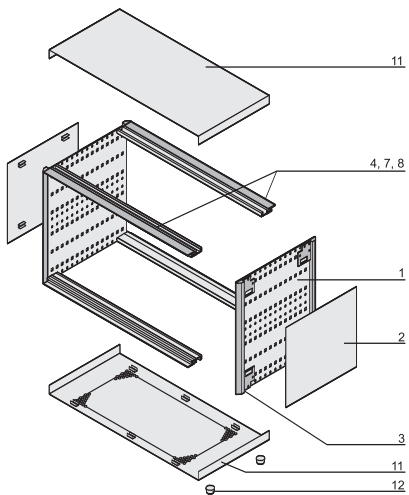
# ratiopacPRO



Delivery includes (in kit form)

Item	Qty	Description
1	2	Side panel, Al passivated
2	2	Side trim, Al, visible surface powder coated, RAL 9006
3	2	Rear trim, Zn die-cast, powder coated, RAL 7016
3a	2	Front trim, Zn die-cast, powder coated, RAL 7016
3b	2	Front handle, Al die-cast, powder coated, RAL 7016
3c	2	19" mounting angle, Al die-cast, powder coated, RAL 7016
4	4	Horizontal rail, Al, visible surface powder coated, RAL 7016
11	2	Top cover and base cover, Al, internal surface conductive, visible surface powder coated, RAL 9006, with GND/earthing tag, base cover with vent slots
12	4	Case foot, PC, black, with anti-slip protection
13	1	Assembly kit

ratiopacPRO/ratiopacPRO/air



Width HP	Depth mm	side Panel Classification (1U-3U-1U) (3U-2U)				
		2U Order no.	3U Order no.	4U Order no.	5U Order no.	6U Order no.

**With Front Handle**

84	255.5	-	24571-738	-	-	-
84	315.5	-	24571-741	24571-789	24572-252	24572-396 24571-837
84	375.5	-	24571-742	24571-790	24572-253	24572-397 24571-838
84	435.5	-	24571-743	24571-791	24572-254	24572-398 24571-839
84	495.5	-	24571-744	-	-	24571-840

**With Bezel**

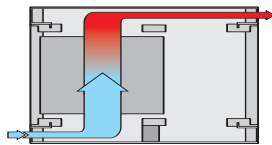
84	255.5	24572-530	24571-038	-	-	-
84	315.5	24572-533	24571-041	24571-089	24572-156	24572-300 24571-137
84	375.5	24572-534	24571-042	24571-090	24572-157	24572-301 24571-138
84	435.5	24572-535	24571-043	24571-091	24572-158	24572-302 24571-139
84	495.5	-	24571-044	-	-	24571-140

**With 19" Mounting Bracket**

84	255.5	24572-570	24571-738	24571-486	-	-
84	315.5	24572-573	24571-741	24571-489	-	24571-537
84	375.5	24572-574	24571-742	24571-490	24572-205	24572-349 24571-538
84	435.5	24572-575	24571-743	24571-491	24572-206	24572-350 24571-539
84	495.5	-	-	-	-	24571-540

RatiopacPro construction

- Available in three versions:
  - with bezel
  - with front handle
  - with 19" brackets



- EMC shielding upgrade available

- Symmetrical design, identical front and rear

For complete info on all specifications and accessories visit [www.schroff.us](http://www.schroff.us)

# comptec



19" case 6-12U



- Perfect desktop "cabinet"
- Case to accommodate 19" equipment
- Height from 1U up to 12U
- Type of protection IP 20
- High stability
- Front and rear panel identical, depth-symmetrical assembly
- Factory assembled with protective GND/earthing connection
- Cover, base and rear panel made out of steel

### Typical modifications:

- Special colors
- Customized cut-outs in rear panels, front panels, cover and base plates
- Special depths

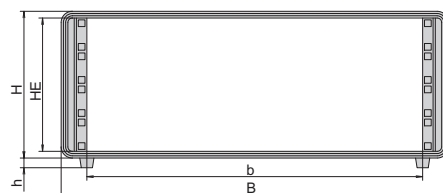
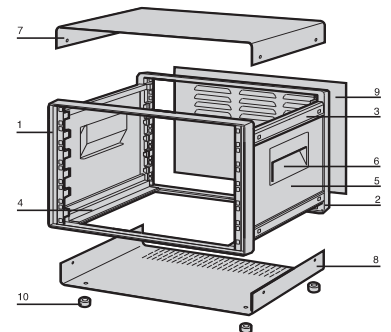
### Delivery Comprises (kit)

Item	Qty	Description
1	1	Front frame
2	1	Rear Frame
3	2	Side profile at top
4	2	Side profile at bottom
5	2	Side panel, St
6	2	Handle shell
7	1	Cover
8	1	Base
9	1	Rear Panel
10	4	Case foot
11	1	Assembly kit

### Ordering Information

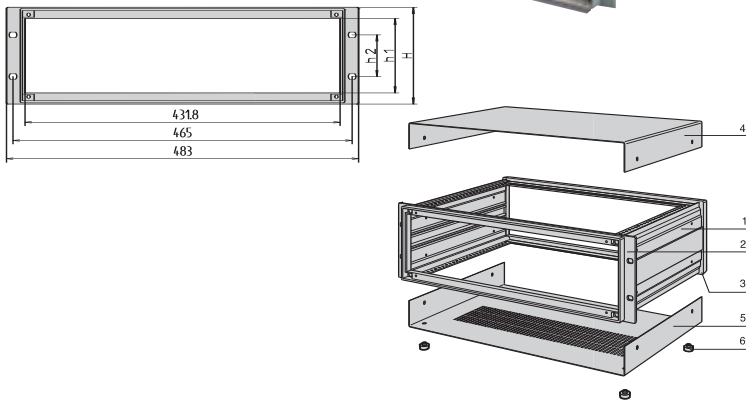
Height U	Height H mm	Height h mm	Depth D mm	Usable Depth d mm	Order no.
6	286	13	300	276	<b>10225-604</b>
6	286	13	400	376	<b>10225-615</b>
6	286	13	500	476	<b>10225-626</b>
6	286	13	600	576	<b>10225-637</b>
7	331	13	400	376	<b>10225-616</b>
7	331	13	500	476	<b>10225-627</b>
7	331	13	600	576	<b>10225-638</b>
9	420	13	400	376	<b>10225-618</b>
9	420	13	500	476	<b>10225-629</b>
9	420	13	600	576	<b>10225-640</b>
9	420	13	400	376	* <b>10225-667</b>
9	420	13	500	476	* <b>10225-682</b>
9	420	13	600	576	* <b>10225-693</b>
12	553	13	400	376	* <b>10225-670</b>
12	553	13	500	476	* <b>10225-685</b>
12	553	13	600	576	* <b>10225-696</b>

\*All covers



For more product information  
visit us at [www.schroff.us/oneclick](http://www.schroff.us/oneclick)  
Type Order No. into oneClick and click "search"

# inpac



- Rugged 19" chassis with high mechanical stability
- Front and rear frame Al-diecast
- Modular design
- Easily accommodates electronic components

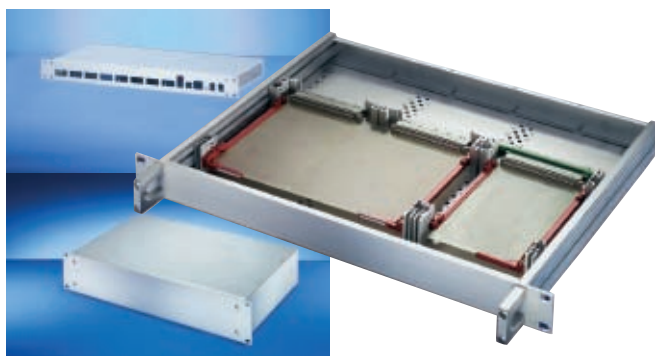
### Delivery includes (kit)

Item	Qty	Description
1	2	Side panel, Al extrusion
2	1	Front frame, Al die-cast
3	1	Rear frame, Al die-cast
4	1	Cover, St
5	1	Base, St
6	4	Case foot
7	1	Assembly kit

### Ordering Information

Height H	Height U	h	h1	h2	Depth D	Order no.
mm	mm	mm	mm	mm	mm	
2	88	86	57.5	76.2	254.5	<b>10828-071</b>
2	88	86	57.5	76.2	314.5	<b>10828-072</b>
2	88	86	57.5	76.2	374.5	<b>10828-073</b>
3	132.5	130.5	102	57.15	254.5	<b>10828-051</b>
3	132.5	130.5	102	57.15	314.5	<b>10828-052</b>
3	132.5	130.5	102	57.15	374.5	<b>10828-053</b>
3	132.5	130.5	102	57.15	434.5	<b>10828-054</b>
4	177	174.5	146.5	101.6	254.5	<b>10828-056</b>
4	177	174.5	146.5	101.6	314.5	<b>10828-057</b>
4	177	174.5	146.5	101.6	374.5	<b>10828-058</b>
4	177	174.5	146.5	101.6	434.5	<b>10828-059</b>
6	265.9	263.5	235.4	190.5	374.5	<b>10828-068</b>
6	265.9	263.5	235.4	190.5	434.5	<b>10828-069</b>

# multipacPRO



- 19" rackmount modular 1U & 2U cases
- Perfect alternative for "pizza box" applications for low volume requirements
- Sheet metal version for volume opportunities
- EMC option

### Delivery includes (kit)

Item	Qty	Description
1	1	Front panel, Al extrusion, 2 mm, front anodized, rear etched (at 1U), colorless chromated front and rear side of front panel, from 2 U clear chromate
2	1	Base body plain, St, 1 mm, (AlZn coated)
3	1	Rear panel, St, 1 mm, (AlZn coated)
4	1	Cover, St, 1 mm, (AlZn coated)
7	1	Assembly kit

### Ordering Information

Height U	Height mm	Depth mm	Order no.
1	43.7	220	<b>20860-120</b>
1	43.7	280	<b>20860-121</b>
1	43.7	340	<b>20860-122</b>
2	88.1	280	<b>20860-126</b>
2	88.1	340	<b>20860-127</b>

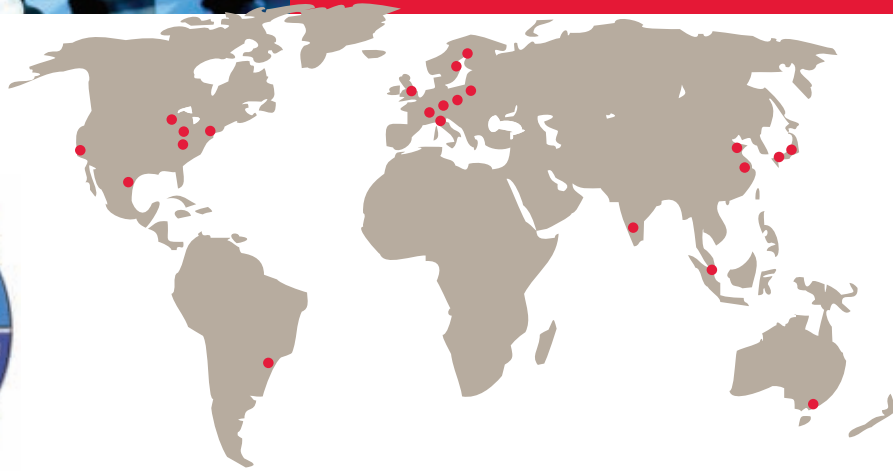
**Front handles** For 1 U, Al extrusion, anodized, U 2 pieces **20860-256**

**Front handles** For 2 U, Al extrusion, anodized, U 2 piece **20860-257**





We are where you are



## www.schroff.us

### Pentair Technical Products Groups

#### USA

##### **Pentair Electronic Packaging**

170 Commerce Drive  
Warwick RI 02817  
USA  
Tel. +1 (401) 732-3770

14100 Danielson Street  
Poway, CA 92064  
Tel.: +1 (858) 679-4550  
Fax: +1 (858) 679-4555  
Toll free (888) 957-8291  
www.schroff.us

#### EUROPE

**Schroff GmbH**  
Langenalber Straße 96-100  
75334 Straubenhardt  
Deutschland  
Tel. +49 (0)7082 794-0  
www.schroff.de

#### **Schroff UK Ltd.**

Maylands Avenue  
Hemel Hempstead  
Herts HP2 7DE  
Great Britain  
Tel. +44 (0)1442 240 471  
www.schroff.biz

#### **Schroff SAS**

Z.I. 4, rue du Marais  
Boîte Postale 16  
67660 Betschdorf  
France  
Tel. +33 (0)3 88 90 64 90  
www.schroff.biz

#### **Schroff Scandinavia AB**

Flygfältsgatan 11  
P.O. Box 2003  
12821 Skarpnäck  
Sweden  
Tel. +46 (0) 8 683 61 00  
www.schroff.se

#### **Schroff Scandinavia AB**

Peräsimentie 8  
FIN-03100 Nummela  
Finland  
Tel. +358 9 222 68 00  
www.schroff.fi

#### **Schroff S.r.l.**

Via Brughiera 1  
20010 Pregnana Milanese (MI)  
Italy  
Tel. +39 02 932 714-1  
www.schroff.biz

#### **Schroff GmbH/ Sp.z.o.o./-oddzial w Polsce**

ul. Marynarska 19A  
PL-02-674 Warszawa  
Poland  
Tel. +48 (0) 22 607 06 16  
www.schroff.pl

#### ASIA

##### **Schroff K.K.**

Nisso No.13 Bldg. 4F  
2-5-1 Shinyokohama, Kohoku-ku  
Yokohama-shi  
Kanagawa 222-0033  
Japan  
Tel. +81 (0)45 476 02 81  
www.schroff.co.jp

##### **Pentair Technical Products China**

Shuangyuan Rd. South, Liuting,  
Chengyang District  
(Airport Ind. Zone)  
Qingdao, PC 266108  
PR China  
Tel. +86 532-8771 6101  
www.schroff.biz