



Chipsmall Limited consists of a professional team with an average of over 10 year of expertise in the distribution of electronic components. Based in Hongkong, we have already established firm and mutual-benefit business relationships with customers from,Europe,America and south Asia,supplying obsolete and hard-to-find components to meet their specific needs.

With the principle of “Quality Parts,Customers Priority,Honest Operation,and Considerate Service”,our business mainly focus on the distribution of electronic components. Line cards we deal with include Microchip,ALPS,ROHM,Xilinx,Pulse,ON,Everlight and Freescale. Main products comprise IC,Modules,Potentiometer,IC Socket,Relay,Connector.Our parts cover such applications as commercial,industrial, and automotives areas.

We are looking forward to setting up business relationship with you and hope to provide you with the best service and solution. Let us make a better world for our industry!



## Contact us

Tel: +86-755-8981 8866 Fax: +86-755-8427 6832

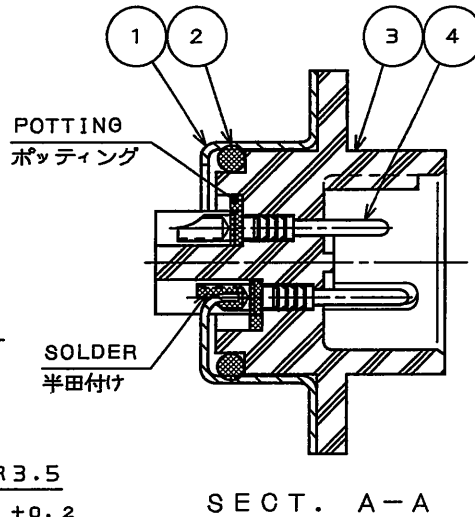
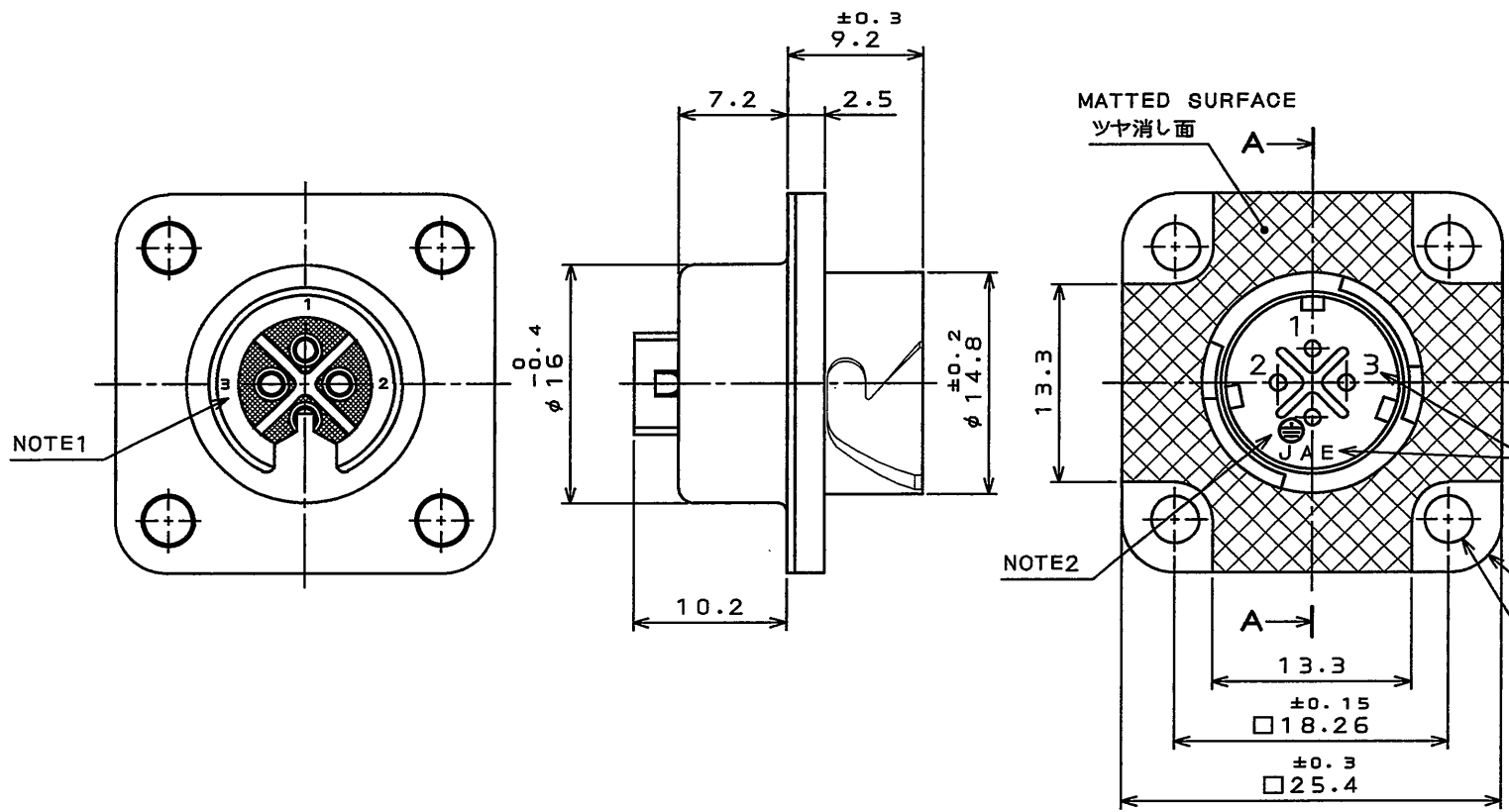
Email & Skype: info@chipsmall.com Web: www.chipsmall.com

Address: A1208, Overseas Decoration Building, #122 Zhenhua RD., Futian, Shenzhen, China



1Z6701RS  
(ON ENIMVHD)台型埋込

版数 REV.	年月日 DATE	DCN NO.	変更内容 DESCRIPTION	製図 DR.	担当 CHK.	査閲 APPD.	承認 APPD.
2	12.Jan.2010	069275	CHANGED RATED VOLTAGE		H.TOYOFUKU	T.OKAMURA	E.matsumoto



**DESIGNATION**  
命名法

JN1ASO4MK2※R

FOR RoHS  
RoHS対応品

POLARIZING KEY POSITION (NOTE3)  
NO MARK: NORMAL POSITION  
X : "X" POSITION  
嵌合キーの識別(無し:ノーマル)  
(注3) (X:Xポジション)

MODIFICATION NUMBER  
WITH CONSTRUCTION HAVING  
EARTH FUNCTION.  
モディファイ番号(2:アース接続構造有り)

CONTACT SIZE (K:#20)  
コンタクトサイズ(K:#20)

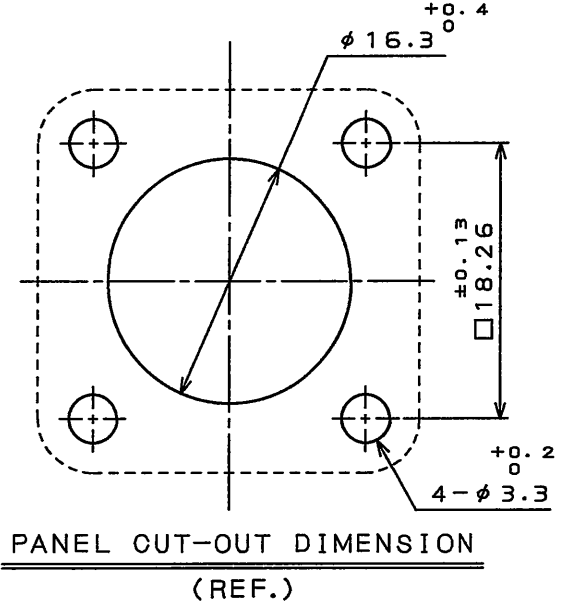
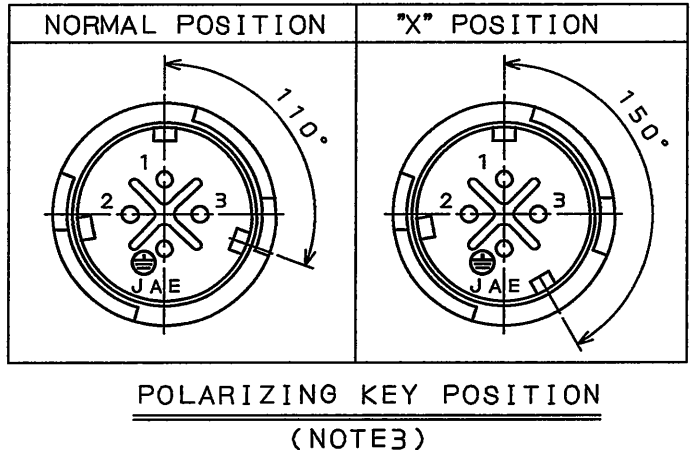
TERMINATION (M:SOLDER TYPE)  
結線方法(M:半田結線)

NO. OF CONTACTS (4 CONTACTS)  
芯数(4芯)

SHELL SIZE  
シェルサイズ

MOUNTING CONFIGURATION  
(A: RECEPTACLE WITH PANEL MOUNTING)  
接続形状(A:パネル取付レセプタクル)

SERIES  
シリーズ



- NOTE1. CONTACT POSITION NUMBER & COMPANY LOGO "JAE" ARE MARKED AS INDICATED.  
2. EARTH MARK (⊕) IS MARKED AS INDICATED.  
3. THE LOCATION OF KEY IS DIFFERENT BETWEEN NORMAL POSITION AND "X" POSITION TO PREVENT MISMATING.  
PART NUMBER OF "X" POSITION CONNECTOR HAS THE SUFFIX "X" FOR THE POLARIZATION.
- 注1. 図示の位置に端子番号及び社名を表示する。  
2. 図示の位置にアースマーク(⊕)を表示する。  
3. ノーマルポジションと"X"ポジションはキーの位置が異なり、誤嵌合を防止する。  
"X"ポジションは誤嵌合防止として、品名の末尾に"X"が付く。

符号 NO.	名称 DESCRIPTION	個数 QTY.	材料 MATERIAL	仕上 FINISH	備考 REMARKS
4	PIN CONTACT	4	COPPER ALLOY	SILVER PLATING	
3	PIN INSULATOR	1	SYNTHETIC RESIN		COLOR: BLACK
2	"O" RING	1	SYNTHETIC RUBBER		
1	HOOD	1	COPPER ALLOY	TIN PLATING	

仕様書 (SPECIFICATION) JACS-5111-2 J AHL-5111	第1版 (ORIGINAL DATE) 29.Aug.2005	尺度 (SCALE) 2:1	シリーズ (SERIES) JN1	日本航空電子工業株式会社 JAPAN AVIATION ELECTRONICS INDUSTRY, LTD. 
製造 DR. H.SAKURADA	担当 CHK. T.SUZUKI	名称 (TITLE) JN1ASO4MK2※R (RECEPTACLE) (レセプタクル)		
公差 (GENERAL TOLERANCE) 寸法 (DIMENSION) 角度 (ANGLES)	査閲 APPD. T.OKAMURA	質量 (MASS)		
承認 APPD. A.ONOGAWA	図面番号 (DRAWING NO.) SJ104921		版数 (REV.) 2	

**SPECIFICATION**

NUMBER OF CONTACTS : 4X#20  
RATED VOLTAGE Δ : 400VAC POLLUTION DEGREE/2,  
OVER VOLTAGE CATEGORY/III  
RATED CURRENT : 5A MAX. per CONTACT  
DIELECTRIC WITHSTANDING VOLTAGE: 2000VAC  
INSULATION RESISTANCE: 1000MΩ MIN. (AT 500VDC)  
APPLICABLE CABLE : 0.75mm MAX  
AIR LEAKAGE : NO LEAKAGE OF AIR AT  
2.9X10<sup>4</sup> Pa APPLIED TO MATING SIDE FOR 1 MIN

**仕様**

コンタクト : #20コンタクト 4本  
定格電圧 Δ : 400VAC(汚染度:2/過電圧範囲:Ⅲ)  
定格電流 : 5A以下/1芯  
耐電圧 : 2000VAC  
絶縁抵抗 : 1000MΩ以上(500VDCにて)  
適合ケーブル: 0.75mm以下  
気密性 : 2.9X10<sup>4</sup>Paの圧力にて漏れ  
なきこと。(1分間、嵌合部より)

DOF-0-212E(03.08)

