



Chipsmall Limited consists of a professional team with an average of over 10 year of expertise in the distribution of electronic components. Based in Hongkong, we have already established firm and mutual-benefit business relationships with customers from,Europe,America and south Asia,supplying obsolete and hard-to-find components to meet their specific needs.

With the principle of “Quality Parts,Customers Priority,Honest Operation,and Considerate Service”,our business mainly focus on the distribution of electronic components. Line cards we deal with include Microchip,ALPS,ROHM,Xilinx,Pulse,ON,Everlight and Freescale. Main products comprise IC,Modules,Potentiometer,IC Socket,Relay,Connector.Our parts cover such applications as commercial,industrial, and automotives areas.

We are looking forward to setting up business relationship with you and hope to provide you with the best service and solution. Let us make a better world for our industry!



## Contact us

Tel: +86-755-8981 8866 Fax: +86-755-8427 6832

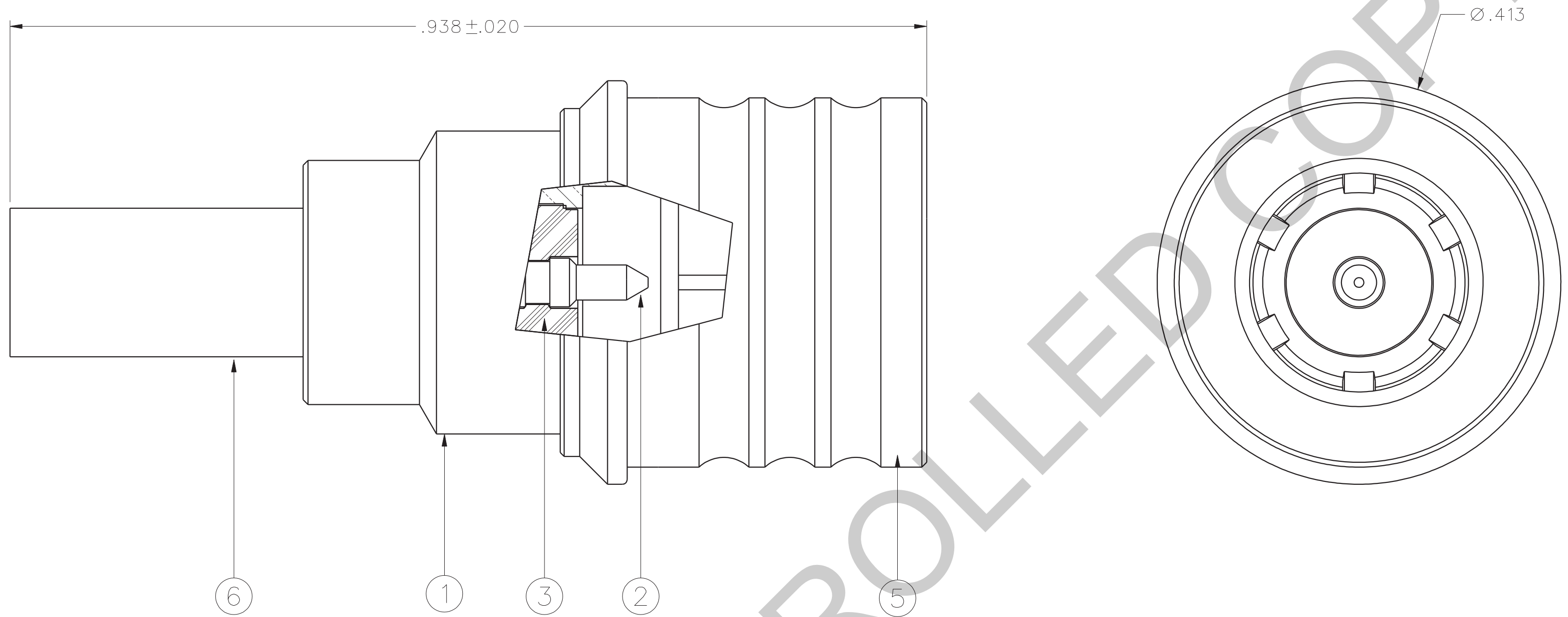
Email & Skype: info@chipsmall.com Web: www.chipsmall.com

Address: A1208, Overseas Decoration Building, #122 Zhenhua RD., Futian, Shenzhen, China



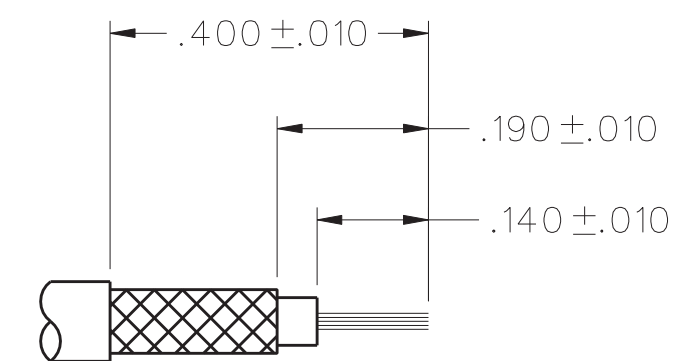
DRAWING NO. C - 146-0403-001/010	
0	REVISIONS
ENGINEERING RELEASE	
1	1-24-10 C W W R B T A K M J U 1-24-10 ECO 52105
10 LBS MIN COUPLING RETENTION WAS 13.5	
1a	3-3-11 C W W R B T A K M J U 3-3-11 ECO 53066

PART NUMBER	ITEM ① BODY	ITEM ② CONTACT	ITEM ③ INSULATOR	ITEM ④ COUPLING DEVICE	ITEM ⑤ DE-COUPLING SLIDER	ITEM ⑥ CRIMP SLEEVE
146-0403-007	BRASS TRI-ALLOY PL .0001 MIN	BRASS GOLD PL .00005 MIN OVER NICKEL PL .00005 MIN OVER COPPER PL .00005 MIN	TEFLON	BERYLLIUM COPPER TRI-ALLOY PL .0001 MIN	BRASS TRI-ALLOY PL .0001 MIN	COPPER TRI-ALLOY PL .0001 MIN



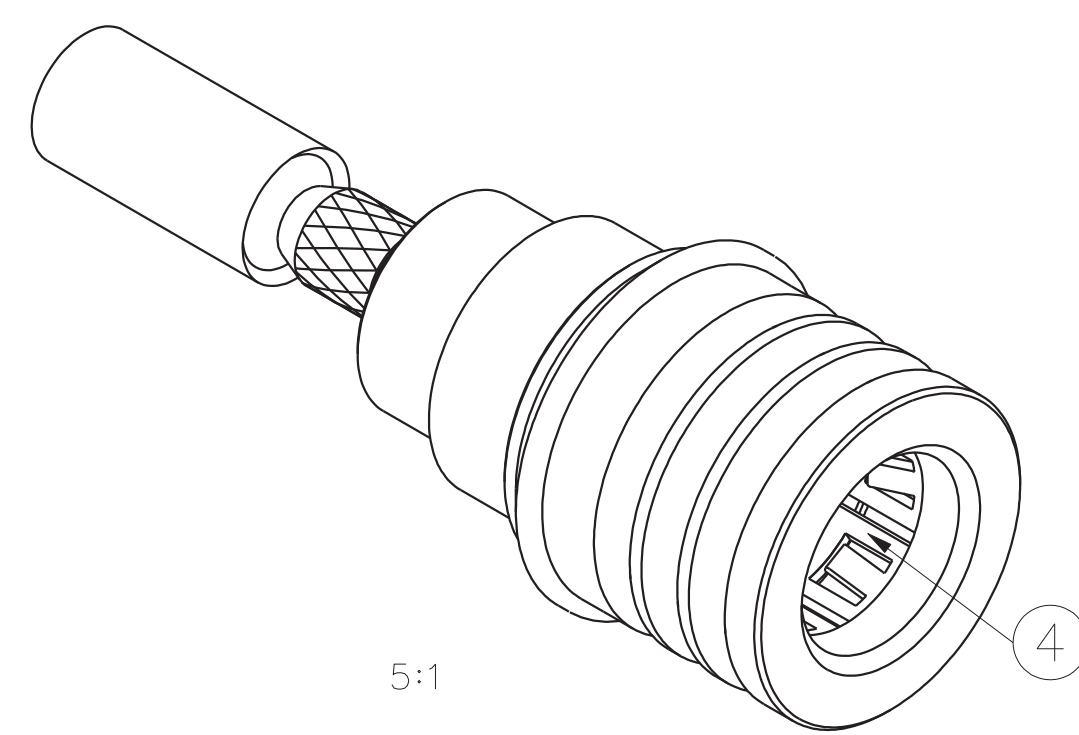
NOTES:

1. SPECIFICATIONS:
- IMPEDANCE: 50 OHMS NOMINAL
  - FREQUENCY RANGE: 0-12.4 GHz
  - VSWR: 1.15 + 0.02F
  - WORKING VOLTAGE: 250 VRMS MAX AT SEA LEVEL
  - DIELECTRIC WITHSTANDING VOLTAGE: 750 VRMS MIN AT SEA LEVEL
  - INSULATION RESISTANCE: 5000 MEGOHM MIN
  - CONTACT RESISTANCE:
    - CENTER CONTACT - INITIAL 3.0 MILLIOHM MAX, AFTER ENVIRONMENTAL 4.0
    - OUTER CONDUCTOR - INITIAL 2.0 MILLIOHM MAX, AFTER ENVIRONMENTAL NOT APPLICABLE
    - CABLE BRAID TO CONNECTOR BODY - INITIAL 5.0 MILLIOHM MAX, AFTER ENVIRONMENTAL NOT APPLICABLE
  - CORONA LEVEL: 190 VOLTS MIN AT 70,000 FEET
  - INSERTION LOSS:  $.06\sqrt{F}$  (F IN GHz) AT 6 GHz
  - RF LEAKAGE: -80 DB MIN AT 3.0 GHz
  - RF HIGH POTENTIAL WITHSTANDING VOLTAGE: 500 VRMS MIN AT 4 AND 7 MHz
- MECHANICAL:
- ENGAGE FORCE: 5.6 POUNDS TYPICAL
  - DISENGAGE FORCE: 4.5 POUNDS TYPICAL
  - COUPLING RETENTION FORCE: 10 POUNDS MIN
  - CONTACT RETENTION: 6 LBS MIN
  - CABLE ACCEPTABILITY: RG 188/U, RG 316/U, RG 161/U, RG 174/U
  - CABLE HEX CRIMP SIZE: .128
  - CONTACT CRIMP TOOL: 144-0000-910
  - CABLE RETENTION: 20 LBS MIN AXIAL FORCE
  - DURABILITY: 500 CYCLES MIN
- ENVIRONMENTAL:
- OPERATING TEMPERATURE: -65 DEG C TO +165 DEG C
  - THERMAL SHOCK: MIL-STD-202, METHOD 107, CONDITION B EXCEPT +85°C HIGH TEMP
  - CORROSION: MIL-STD-202, METHOD 101, CONDITION B
  - SHOCK: MIL-STD-202, METHOD 213, CONDITION I
  - VIBRATION: MIL-STD-202, METHOD 204, CONDITION D
  - MOISTURE RESISTANCE: MIL-STD-202, METHOD 106



CABLE STRIP DIMENSIONS

4:1



5:1

CUSTOMER DRAWING

THIS DRAWING TO BE INTERPRETED PER ASME Y 14.5M - 1994

"μ STATION"

COMPANY CONFIDENTIAL

TOLERANCE UNLESS OTHERWISE SPECIFIED	DRAWN BY T.A.Kari	DATE 4-09-08
DECIMALS	CHECKED BY CWW	DATE 3-7-11
.XX	APPROVED BY T.A. KARI	DATE 3-7-11
.XXX ± .003	RELEASE DATE	3-7-11
MATL	U/M	INCH
FINISH	SCALE	10:1

**cinch**  
CONNECTIVITY SOLUTIONS  
a bel group

Cinch Connectivity Solutions  
P.O. Box 1732  
Waseca, MN 56093  
1-800-247-8256

TITLE  
THREE PIECE STRAIGHT PLUG  
CRIMP TYPE, RG-316  
KWIQIMATE

SHEET  
2 OF 2

DRAWING NO.  
C - 146-0403-001/010