



Chipsmall Limited consists of a professional team with an average of over 10 year of expertise in the distribution of electronic components. Based in Hongkong, we have already established firm and mutual-benefit business relationships with customers from,Europe,America and south Asia,supplying obsolete and hard-to-find components to meet their specific needs.

With the principle of “Quality Parts,Customers Priority,Honest Operation,and Considerate Service”,our business mainly focus on the distribution of electronic components. Line cards we deal with include Microchip,ALPS,ROHM,Xilinx,Pulse,ON,Everlight and Freescale. Main products comprise IC,Modules,Potentiometer,IC Socket,Relay,Connector.Our parts cover such applications as commercial,industrial, and automotives areas.

We are looking forward to setting up business relationship with you and hope to provide you with the best service and solution. Let us make a better world for our industry!



## Contact us

Tel: +86-755-8981 8866 Fax: +86-755-8427 6832

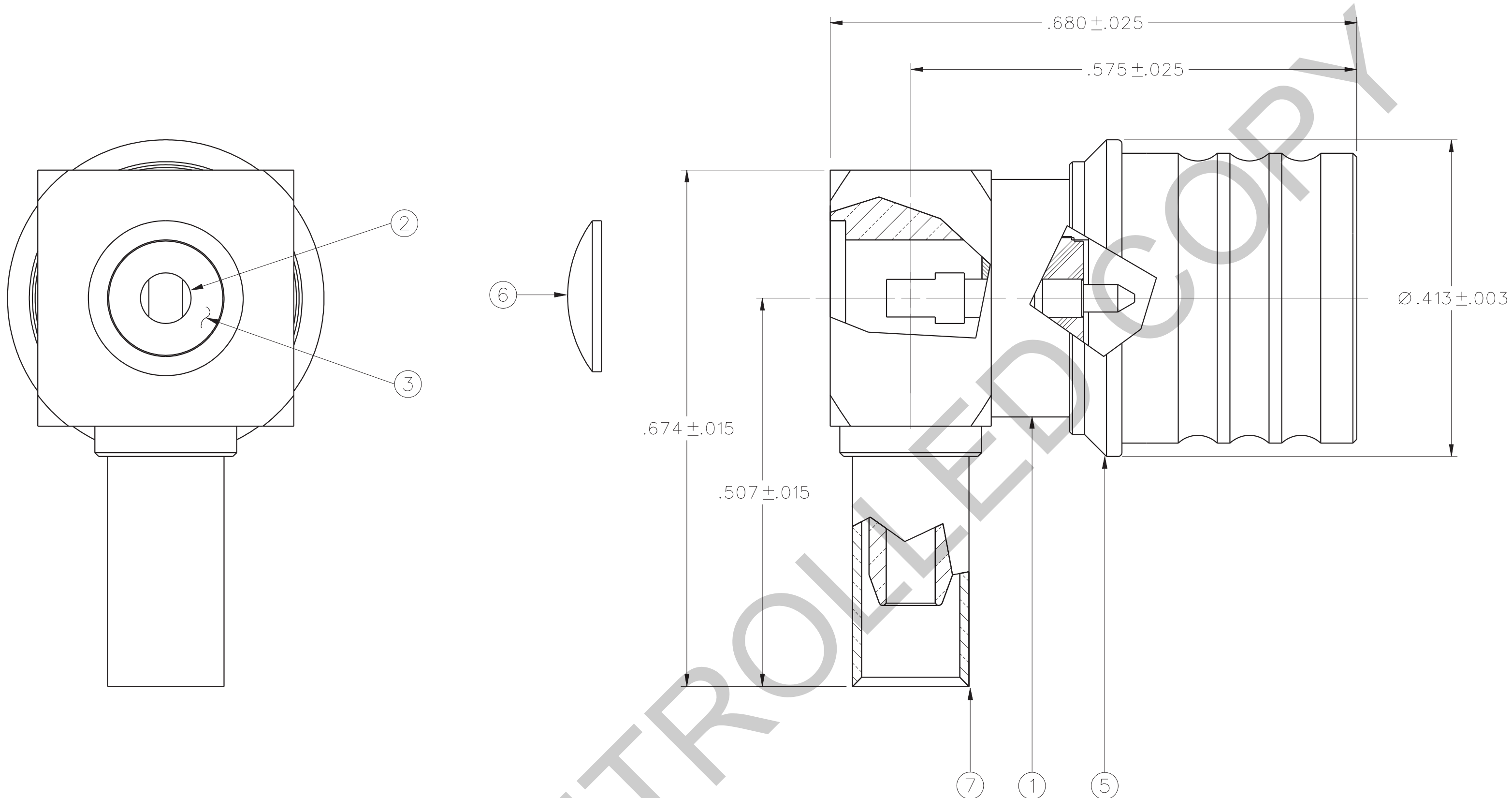
Email & Skype: info@chipsmall.com Web: www.chipsmall.com

Address: A1208, Overseas Decoration Building, #122 Zhenhua RD., Futian, Shenzhen, China



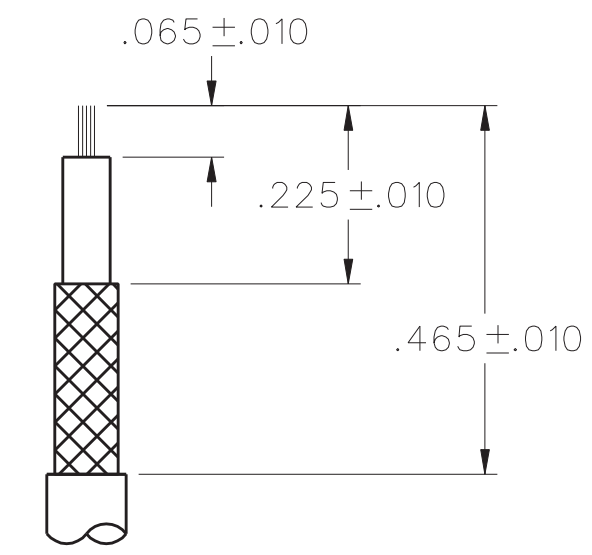
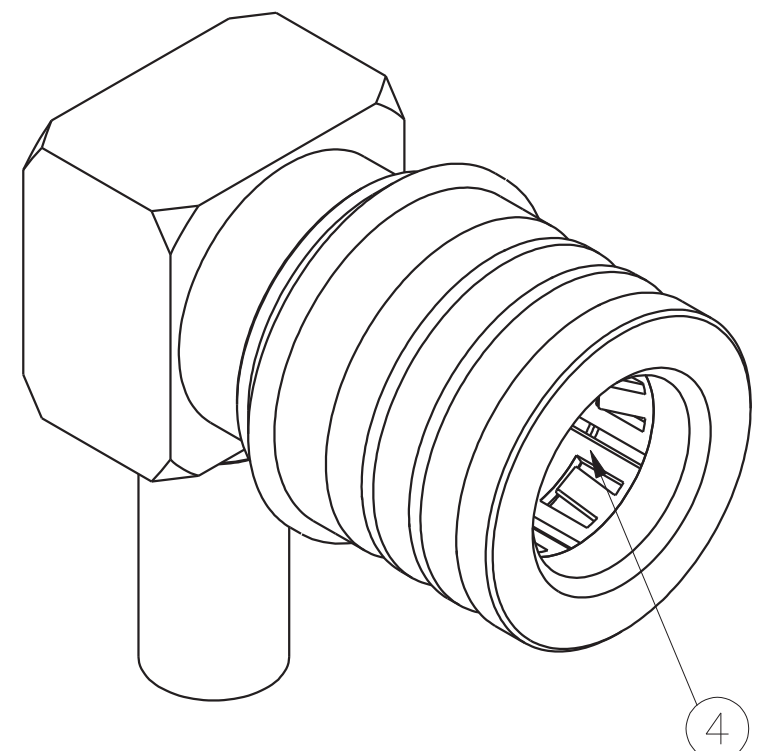
PART NUMBER	ITEM ① BODY	ITEM ② CONTACT	ITEM ③ INSULATOR	ITEM ④ COUPLING DEVICE	ITEM ⑤ DE-COUPLING SLIDER	ITEM ⑥ END CAP	ITEM ⑦ CRIMP SLEEVE
146-0403-107	BRASS TRI-ALLOY PL .0001 MIN	BRASS GOLD PL .00005 MIN OVER NICKEL PL .00005 MIN OVER COPPER PL .00005 MIN	TEFLON	BERYLLIUM COPPER TRI-ALLOY PL .0001 MIN	BRASS TRI-ALLOY PL .0001 MIN	BRASS TRI-ALLOY PL .0001 MIN	COPPER TRI-ALLOY PL .0001 MIN

DRAWING NO. C - 146-0403-101/110	
REVISIONS	
ENGINEERING RELEASE	
1	1-24-10 C W W R B A K M J U 1-24-10 ECO 52109
10 LBS COUPLING RETENTION WAS 13.5	
1a	3-3-11 C W W R B A K M J U 3-3-11 ECO 53067



NOTES:

1. SPECIFICATIONS:
- IMPEDANCE: 50 OHMS NOMINAL
  - FREQUENCY RANGE: 0-12.4 GHz
  - VSWR: 1.15 + 0.03F
  - WORKING VOLTAGE: 250 VRMS MAX AT SEA LEVEL
  - DIELECTRIC WITHSTANDING VOLTAGE: 750 VRMS MIN AT SEA LEVEL
  - INSULATION RESISTANCE: 5000 MEGOHM MIN
  - CONTACT RESISTANCE:
    - CENTER CONTACT - INITIAL 4.0 MILLIOHM MAX, AFTER ENVIRONMENTAL 6.0
    - OUTER CONDUCTOR - INITIAL 2.0 MILLIOHM MAX, AFTER ENVIRONMENTAL NOT APPLICABLE
    - CABLE BRAID TO CONNECTOR BODY - INITIAL 5.0 MILLIOHM MAX, AFTER ENVIRONMENTAL NOT APPLICABLE
  - CORONA LEVEL: 190 VOLTS MIN AT 70,000 FEET
  - INSERTION LOSS:  $.15\sqrt{F}$  (F IN GHz) AT 6 GHz
  - RF LEAKAGE: -80 DB MIN AT 3.0 GHz
  - RF HIGH POTENTIAL WITHSTANDING VOLTAGE: 500 VRMS MIN AT 4 AND 7 MHz
- MECHANICAL:
- ENGAGE FORCE: 5.6 POUNDS TYPICAL
  - DISENGAGE FORCE: 4.5 POUNDS TYPICAL
  - COUPLING RETENTION FORCE: 10 POUNDS MIN
  - CONTACT RETENTION: 6 LBS MIN
  - CABLE ACCEPTABILITY: RG 188/U, RG 316/U, RG 161/U, RG 174/U, LMR 100
  - CABLE HEX CRIMP SIZE: .128
  - CABLE RETENTION: 20 LBS MIN AXIAL FORCE
  - DURABILITY: 500 CYCLES MIN
- ENVIRONMENTAL:
- THERMAL SHOCK: MIL-STD-202, METHOD 107, CONDITION B EXCEPT +85°C HIGH TEMP
  - OPERATING TEMPERATURE: -65 DEG C TO +165 DEG C
  - CORROSION: MIL-STD-202, METHOD 101, CONDITION B
  - SHOCK: MIL-STD-202, METHOD 213, CONDITION I
  - VIBRATION: MIL-STD-202, METHOD 204, CONDITION D
  - MOISTURE RESISTANCE: MIL-STD-202, METHOD 106




CABLE STRIP DIMENSIONS  
4:1

CUSTOMER DRAWING

THIS DRAWING TO BE INTERPRETED  
PER ASME Y 14.5M - 1994

"μ STATION"

COMPANY CONFIDENTIAL

TOLERANCE UNLESS OTHERWISE SPECIFIED	DRAWN BY T.A.Kari	DATE 4-09-08	 <b>Cinch</b> CONNECTIVITY SOLUTIONS a bel group	Cinch Connectivity Solutions P.O. Box 1732 Waseca, MN 56093 1-800-247-8256	
DECIMALS mm	CHECKED BY CWW	DATE 3-7-11		TITLE RA PLUG KWIOMATE CONNECTOR CRIMP TYPE, RG-316	
.XX _____	APPROVED BY T.A. KARI	DATE 3-7-11	SHEET 2 OF 2	DRAWING NO. C - 146-0403-101/110	
.XXX ±.003 _____	RELEASE DATE 3-7-11	SCALE 10:1			
MATL _____	U/M INCH				
FINISH _____					