



Chipsmall Limited consists of a professional team with an average of over 10 year of expertise in the distribution of electronic components. Based in Hongkong, we have already established firm and mutual-benefit business relationships with customers from,Europe,America and south Asia,supplying obsolete and hard-to-find components to meet their specific needs.

With the principle of “Quality Parts,Customers Priority,Honest Operation,and Considerate Service”,our business mainly focus on the distribution of electronic components. Line cards we deal with include Microchip,ALPS,ROHM,Xilinx,Pulse,ON,Everlight and Freescale. Main products comprise IC,Modules,Potentiometer,IC Socket,Relay,Connector.Our parts cover such applications as commercial,industrial, and automotives areas.

We are looking forward to setting up business relationship with you and hope to provide you with the best service and solution. Let us make a better world for our industry!



## Contact us

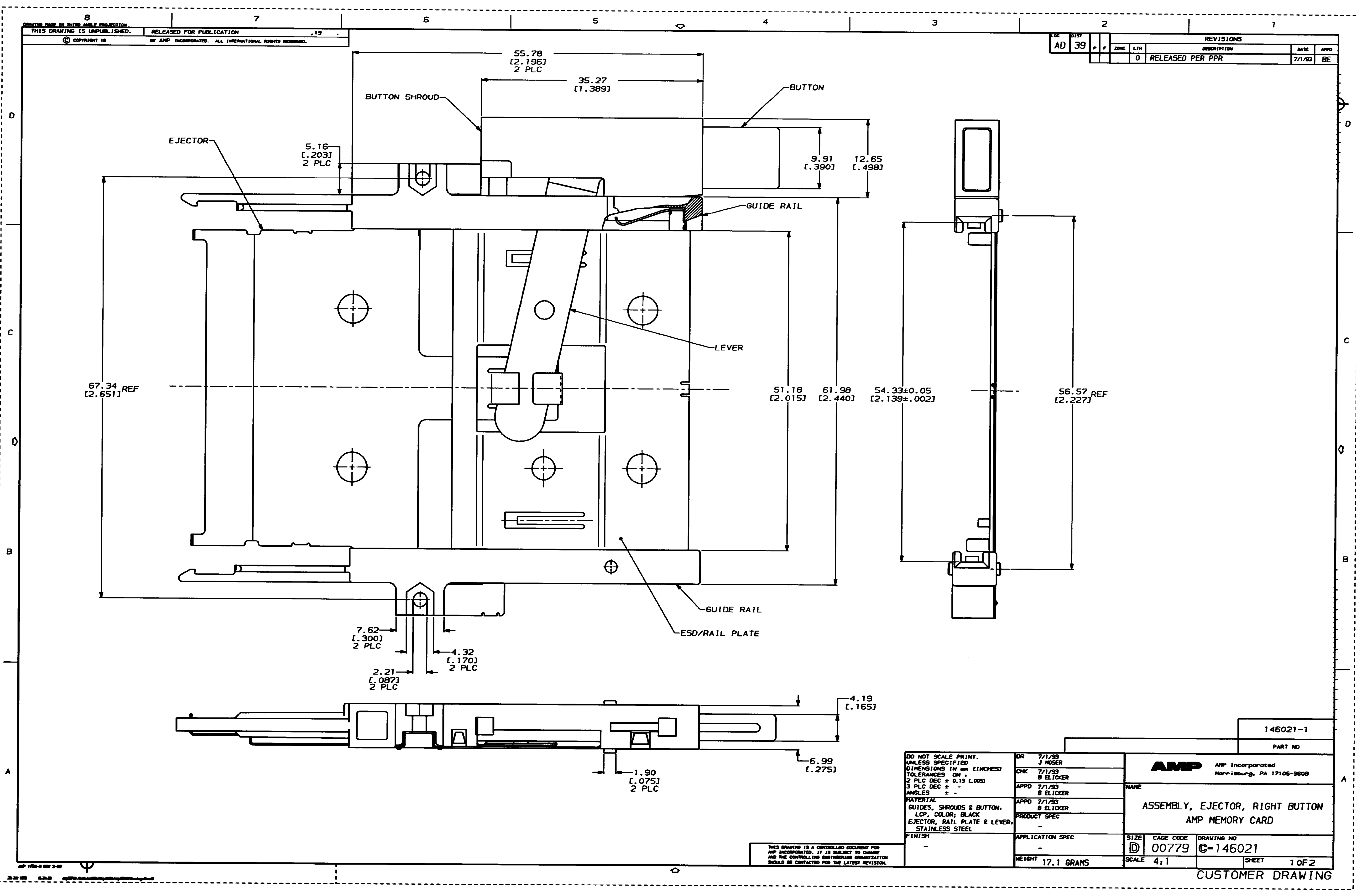
Tel: +86-755-8981 8866 Fax: +86-755-8427 6832

Email & Skype: info@chipsmall.com Web: www.chipsmall.com

Address: A1208, Overseas Decoration Building, #122 Zhenhua RD., Futian, Shenzhen, China



LOC		DIST		ZONE		LTR		REVISIONS		DATE	APPD
AD	39							0	RELEASED PER PPR	7/1/93	BE





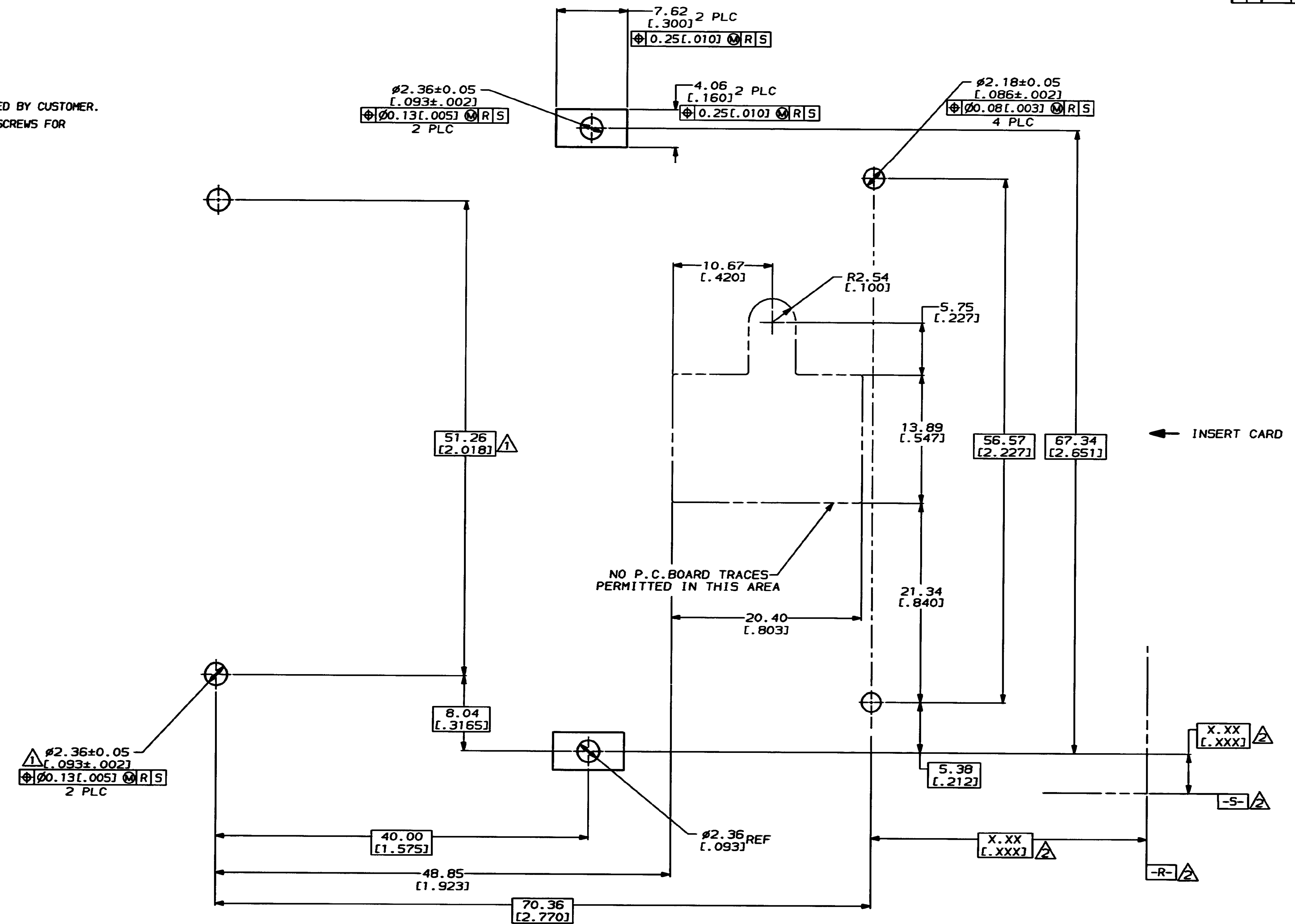
THIS DRAWING IS A CONTROLLED DOCUMENT FOR AMP INCORPORATED. IT IS SUBJECT TO CHANGE AND THE CONTROLLING ENGINEERING ORGANIZATION SHOULD BE CONTACTED FOR THE LATEST REVISION.

DO NOT SCALE PRINT. UNLESS SPECIFIED DIMENSIONS IN mm (INCHES) TOLERANCES ON:	DR 7/1/93 J MOSER
2 PLC DEC ± 0.13 (.005)	CHK 7/1/93 B ELICKER
3 PLC DEC ± -	APPD 7/1/93 B ELICKER
ANGLES ± -	APPD 7/1/93 B ELICKER
MATERIAL	PRODUCT SPEC
GUIDES, SHROUDS & BUTTON, LCP, COLOR, BLACK	-
EJECTOR, RAIL PLATE & LEVER, STAINLESS STEEL	-
FINISH	APPLICATION SPEC
-	-
WEIGHT 17.1 GRAMS	

146021-1	
PART NO	
AMP Incorporated Harrisburg, PA 17105-3608	
NAME	
ASSEMBLY, EJECTOR, RIGHT BUTTON AMP MEMORY CARD	
SIZE	CAGE CODE
D	00779
SCALE	DRAWING NO
4:1	C-146021
	SHEET
	1 OF 2

LOG		DIST		REV		REVISIONS		DATE	APPD
AD	39	P	F	ZONE	LTR	DESCRIPTION			
				0		SEE SHEET ONE			


 HEADER MOUNTING HOLE LOCATIONS  
 DATUMS & BASIC DIMENSIONS ESTABLISHED BY CUSTOMER.  
 3. ASSEMBLY REQUIRES USE OF 2-SIZE 2M SCREWS FOR FASTENING TO PRINTED CIRCUIT BOARD.



NO P.C. BOARD TRACES PERMITTED IN THIS AREA

← INSERT CARD

RECOMMENDED BOARD LAYOUT

DO NOT SCALE PRINT. UNLESS SPECIFIED DIMENSIONS IN mm (INCHES) TOLERANCES ON: 2 PLC DEC ± 0.13 (.005) 3 PLC DEC ± - ANGLES ± -		DR 7/1/93 J WISER	 AMP Incorporated Harrisburg, PA 17105-3608
FINISH -		CHK 7/1/93 B ELICKER	
MATERIAL -		APPD 7/1/93 B ELICKER	NAME
PRODUCT SPEC -		APPD 7/1/93 B ELICKER	ASSEMBLY, EJECTOR, RIGHT BUTTON, AMP MEMORY CARD
APPLICATION SPEC -		SCALE 4:1	SIZE D
WEIGHT -		CAGE CODE 00779	DRAWING NO C-146021
		SHEET 20F2	PART NO

THIS DRAWING IS A CONTROLLED DOCUMENT FOR AMP INCORPORATED. IT IS SUBJECT TO CHANGE AND THE CONTROLLING ENGINEERING ORGANIZATION SHOULD BE CONTACTED FOR THE LATEST REVISION.