



Chipsmall Limited consists of a professional team with an average of over 10 year of expertise in the distribution of electronic components. Based in Hongkong, we have already established firm and mutual-benefit business relationships with customers from,Europe,America and south Asia,supplying obsolete and hard-to-find components to meet their specific needs.

With the principle of “Quality Parts,Customers Priority,Honest Operation,and Considerate Service”,our business mainly focus on the distribution of electronic components. Line cards we deal with include Microchip,ALPS,ROHM,Xilinx,Pulse,ON,Everlight and Freescale. Main products comprise IC,Modules,Potentiometer,IC Socket,Relay,Connector.Our parts cover such applications as commercial,industrial, and automotives areas.

We are looking forward to setting up business relationship with you and hope to provide you with the best service and solution. Let us make a better world for our industry!



## Contact us

Tel: +86-755-8981 8866 Fax: +86-755-8427 6832

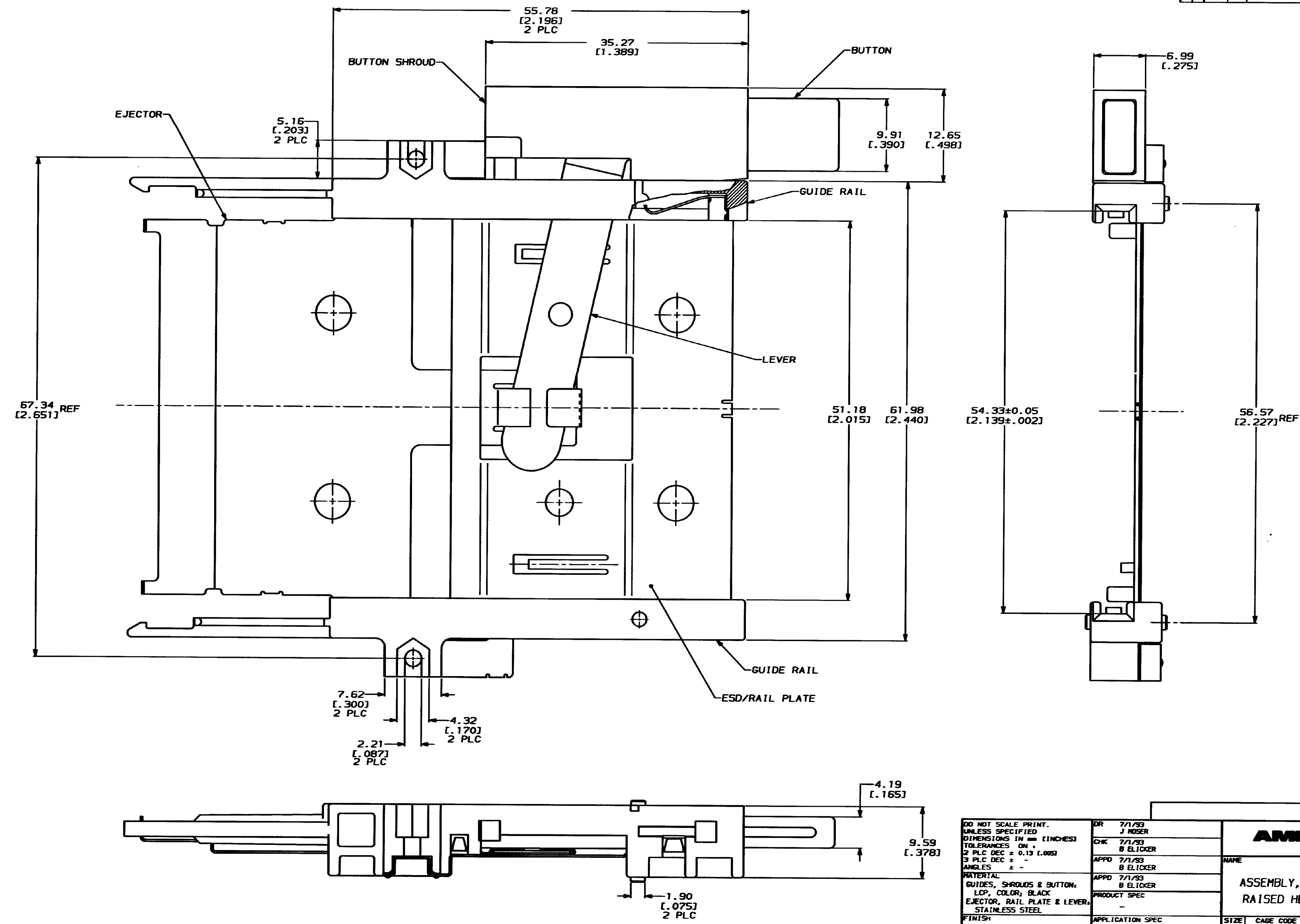
Email & Skype: info@chipsmall.com Web: www.chipsmall.com

Address: A1208, Overseas Decoration Building, #122 Zhenhua RD., Futian, Shenzhen, China



THIS DRAWING IS UNPUBLISHED. RELEASED FOR PUBLICATION BY AMP INCORPORATED. ALL INTERNATIONAL RIGHTS RESERVED. © COPYRIGHT 1979

LOC		DIST		REV		REVISIONS		DATE	APPD
AD	39								
						0	RELEASED PER PPR	7/1/93	BE



THIS DRAWING IS A CONTROLLED DOCUMENT FOR AMP INCORPORATED. IT IS SUBJECT TO CHANGE AND THE CONTROLLING ENGINEERING ORGANIZATION SHOULD BE CONTACTED FOR THE LATEST REVISION.

DO NOT SCALE PRINT. UNLESS SPECIFIED DIMENSIONS IN mm [INCHES]	DR 7/1/93 J MOSER	AMP Incorporated
TOLERANCES ON:	CHK 7/1/93 B ELICKER	Harrisburg, PA 17105-3608
2 PLC DEC ± 0.13 [0.005]	APPD 7/1/93 B ELICKER	
3 PLC DEC ± -	APPD 7/1/93 B ELICKER	
ANGLES ± -	PRODUCT SPEC -	
MATERIAL: GUIDES, SHROUDS & BUTTON: LCP, COLOR: BLACK; EJECTOR, RAIL PLATE & LEVER: STAINLESS STEEL	APPLICATION SPEC -	
FINISH: -	WEIGHT 18.1 GRAMS	

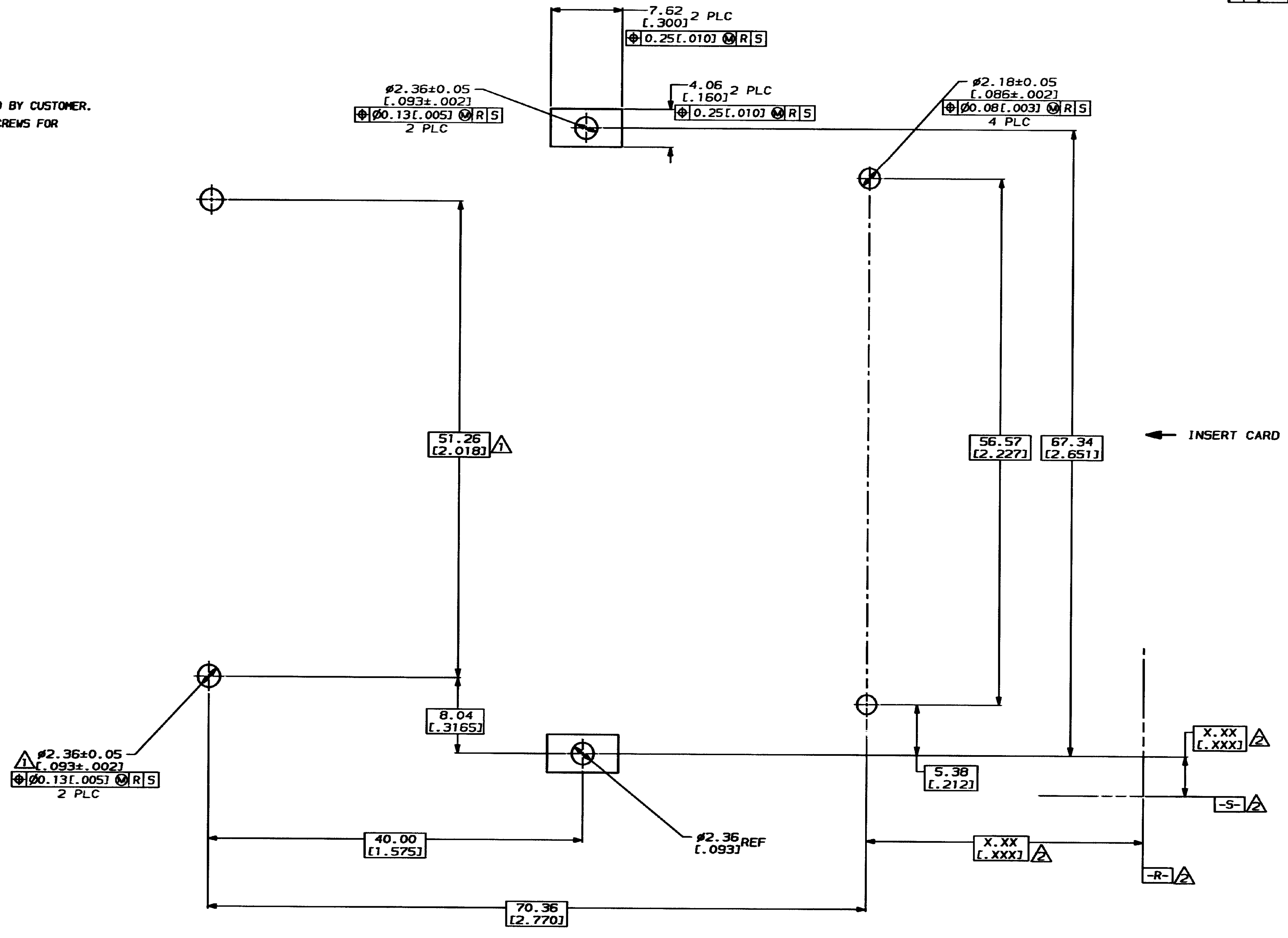
146022-1		PART NO
AMP		NAME
ASSEMBLY, EJECTOR, RIGHT BUTTON, RAISED HEIGHT, AMP MEMORY CARD		
SIZE D	CAGE CODE 00779	DRAWING NO C-146022
SCALE 4:1	SHEET 1 OF 2	

CUSTOMER DRAWING

THIS DRAWING IS UNPUBLISHED. RELEASED FOR PUBLICATION .19  
 © COPYRIGHT 19 BY AMP INCORPORATED. ALL INTERNATIONAL RIGHTS RESERVED.

LOC	DISY	REV	ZONE	LTR	DESCRIPTION	DATE	APPD
AD	39		0		SEE SHEET ONE	-	-

- ▲ HEADER MOUNTING HOLE LOCATIONS
- ▲ DATUMS & BASIC DIMENSIONS ESTABLISHED BY CUSTOMER.
- 3. ASSEMBLY REQUIRES USE OF 2-SIZE 2M SCREWS FOR FASTENING TO PRINTED CIRCUIT BOARD.



RECOMMENDED BOARD LAYOUT

DO NOT SCALE PRINT. UNLESS SPECIFIED DIMENSIONS IN mm [INCHES]		PART NO	
TOLERANCES ON:	DR 7/1/93 J MOSER	AMP AMP Incorporated Harrisburg, PA 17105-3608	
2 PLC DEC ± 0.13 [L.005]	CHK 7/1/93 B ELICKER	NAME	
3 PLC DEC ± -	APPD 7/1/93 B ELICKER	ASSEMBLY, EJECTOR, RIGHT BUTTON, RAISED HEIGHT, AMP MEMORY CARD	
ANGLES ± -	APPD 7/1/93 B ELICKER	SIZE	CAGE CODE
MATERIAL	PRODUCT SPEC	D	00779
FINISH	APPLICATION SPEC	DRAWING NO	C-146022
	WEIGHT	SCALE	4:1
		SHEET	20F2

THIS DRAWING IS A CONTROLLED DOCUMENT FOR AMP INCORPORATED. IT IS SUBJECT TO CHANGE AND THE CONTROLLING ENGINEERING ORGANIZATION SHOULD BE CONTACTED FOR THE LATEST REVISION.

CUSTOMER DRAWING