



Chipsmall Limited consists of a professional team with an average of over 10 year of expertise in the distribution of electronic components. Based in Hongkong, we have already established firm and mutual-benefit business relationships with customers from,Europe,America and south Asia,supplying obsolete and hard-to-find components to meet their specific needs.

With the principle of “Quality Parts,Customers Priority,Honest Operation,and Considerate Service”,our business mainly focus on the distribution of electronic components. Line cards we deal with include Microchip,ALPS,ROHM,Xilinx,Pulse,ON,Everlight and Freescale. Main products comprise IC,Modules,Potentiometer,IC Socket,Relay,Connector.Our parts cover such applications as commercial,industrial, and automotives areas.

We are looking forward to setting up business relationship with you and hope to provide you with the best service and solution. Let us make a better world for our industry!



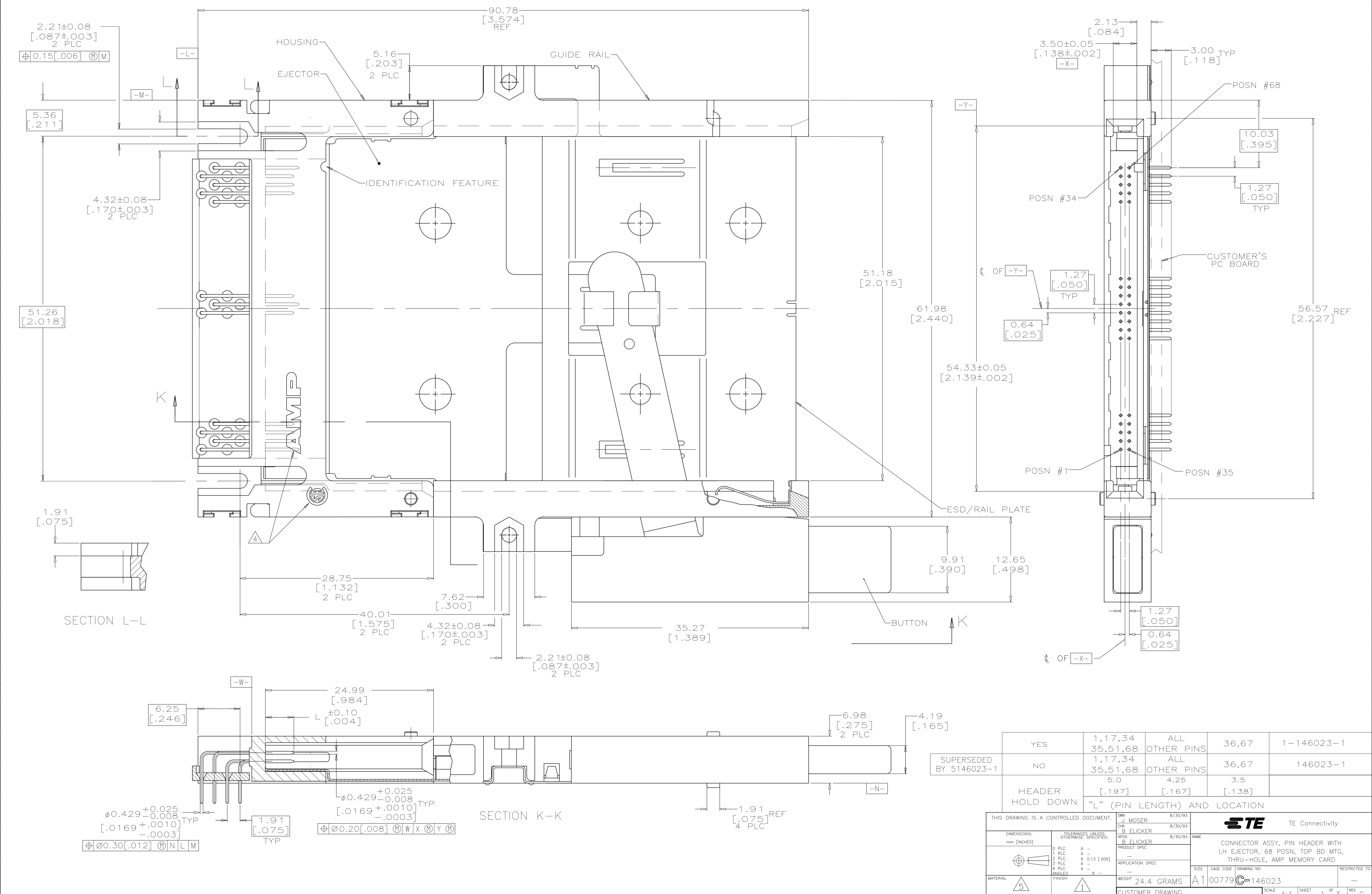
Contact us

Tel: +86-755-8981 8866 Fax: +86-755-8427 6832

Email & Skype: info@chipsmall.com Web: www.chipsmall.com

Address: A1208, Overseas Decoration Building, #122 Zhenhua RD., Futian, Shenzhen, China

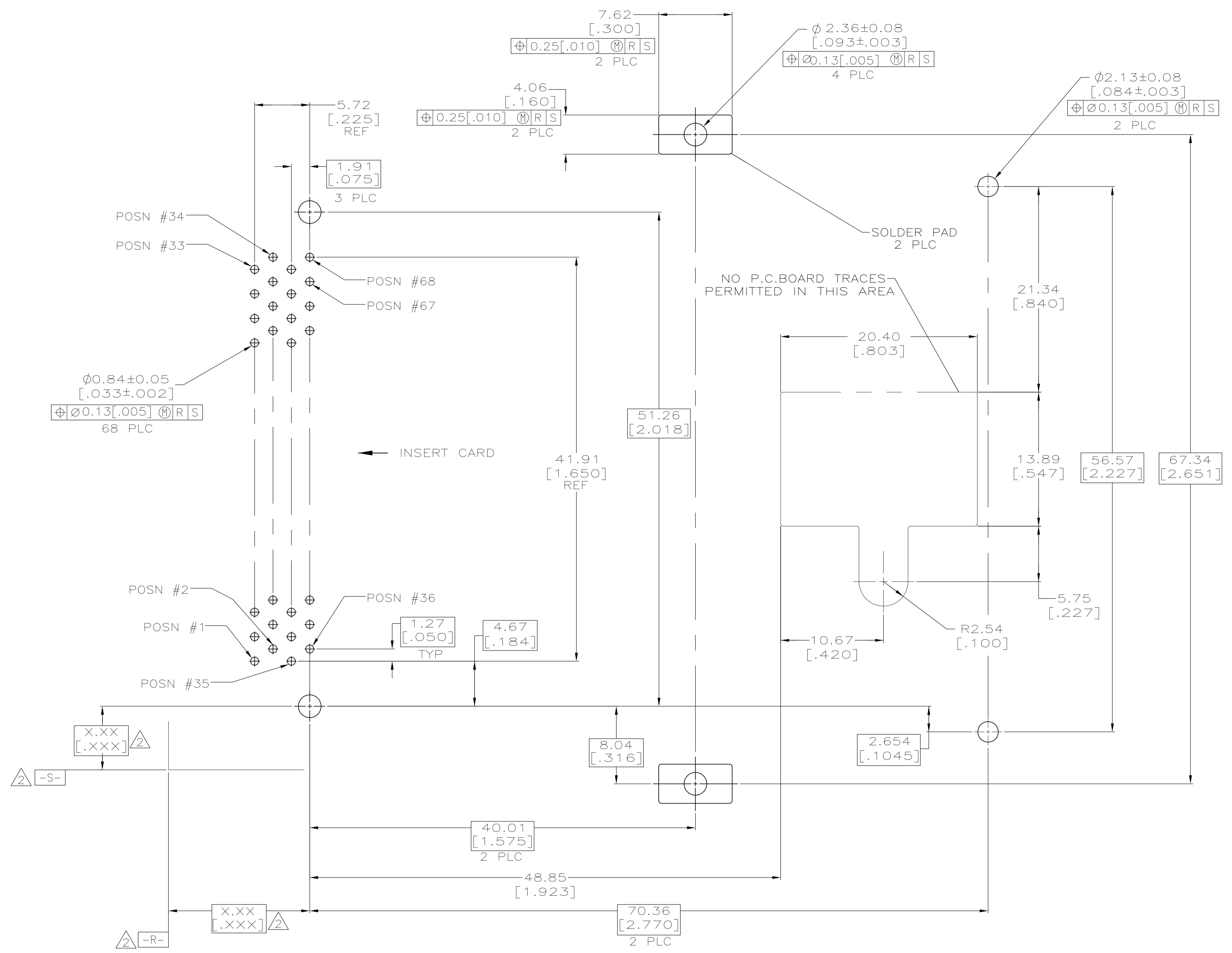




YES	1,17,34 35,51,68	ALL OTHER PINS	36,67	1-146023-1
NO	1,17,34 35,51,68	ALL OTHER PINS	36,67	146023-1
HEADER HOLD DOWN	5.0 [.197]	4.25 [.167]	3.5 [.138]	

"L" (PIN LENGTH) AND LOCATION

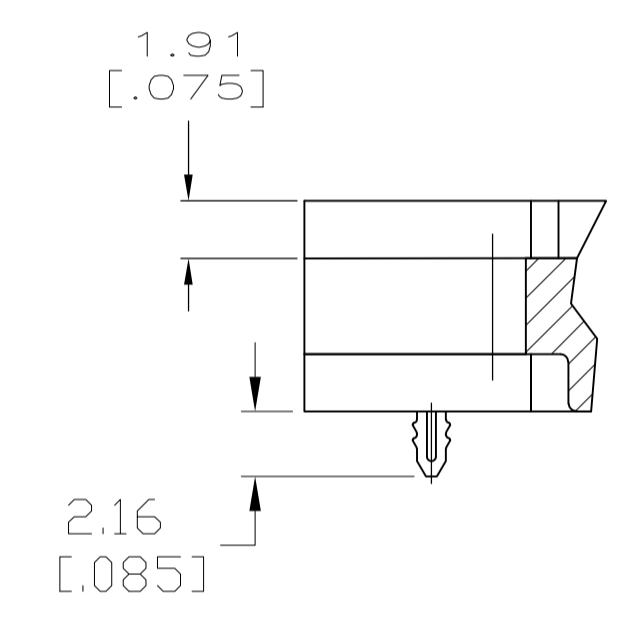
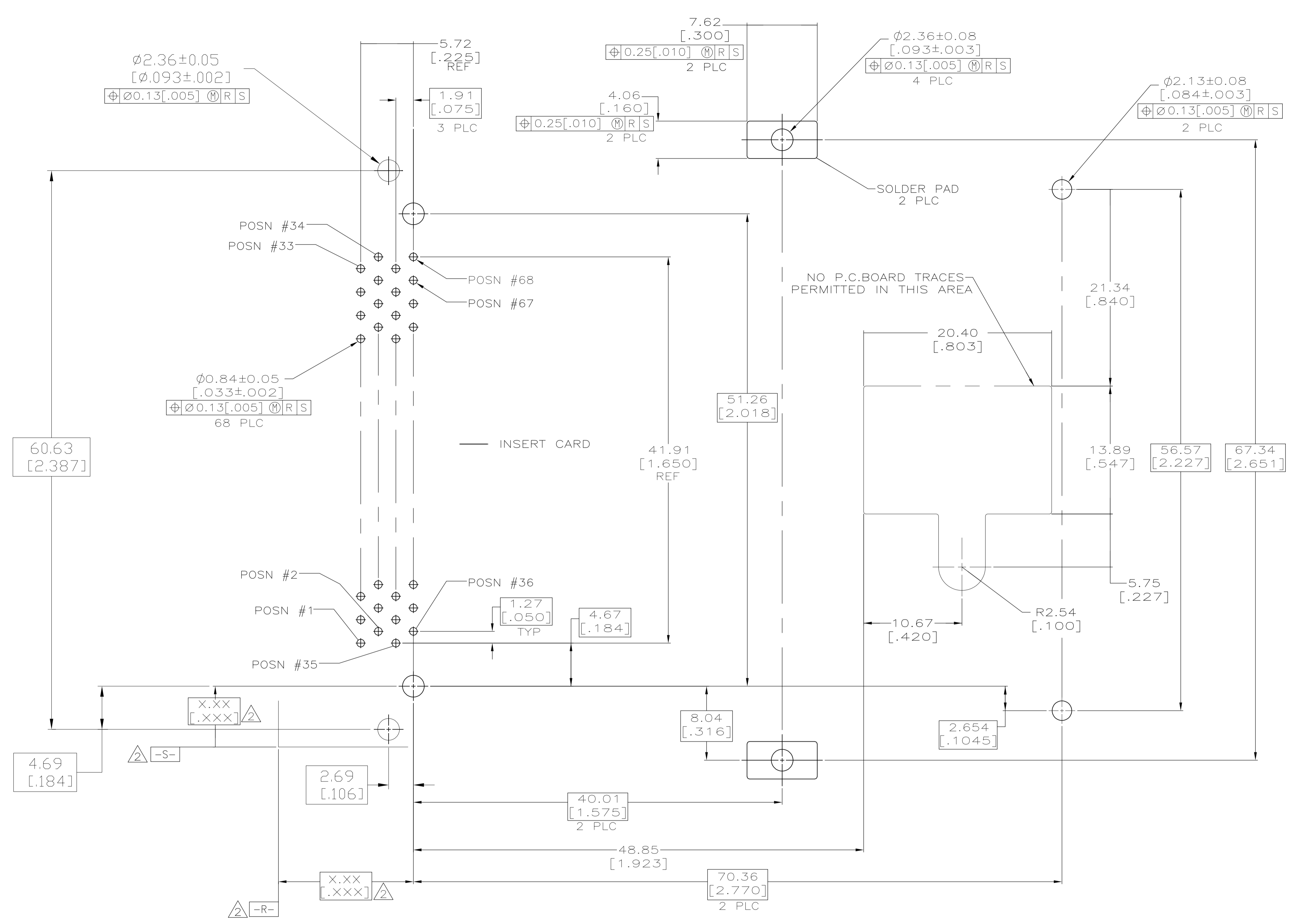
THIS DRAWING IS A CONTROLLED DOCUMENT.		DIN J MOSER 8/30/93	TE Connectivity
DIMENSIONS: mm [INCHES]		CIK B FLICKER 8/30/93	
TOLERANCES UNLESS OTHERWISE SPECIFIED:		APVD B FLICKER 8/30/93	NAME: CONNECTOR ASSY, PIN HEADER WITH LH EJECTOR, 68 POSN, TOP BD MTG, THRU-HOLE, AMP MEMORY CARD
0 PLC ± - 1 PLC ± - 2 PLC ± 0.13 [005] 3 PLC ± - 4 PLC ± - ANGLES ± -		PRODUCT SPEC	
MATERIAL	FINISH	WEIGHT 24.4 GRAMS	RESTRICTED TO
5	1	A1 00779 146023	
CUSTOMER DRAWING		SCALE 4:1	SHEET 1 OF 3 REV C



RECOMMENDED BOARD LAYOUT
146023-1

- 1. PIN FINISH: 0.00076[.000030] MINIMUM GOLD IN CONTACT AREA, 0.00381[.000150] MIN TIN-LEAD ON SOLDER TAILS, ALL OVER 0.00127[.000050] MINIMUM NICKEL.
- 2. DATUMS AND BASIC DIMENSIONS ESTABLISHED BY CUSTOMER.
- 3. CONNECTOR REQUIRES USE OF 4 - SIZE 2M SCREWS FOR FASTENING TO PRINTED CIRCUIT BOARD.
- 4. RECESSED AMP AND CSA LOGOS LOCATED ON BOTH SIDES OF HOUSING.
- 5. HOUSING MATERIAL: LCP, BLACK
GUIDE MATERIAL: LCP, BLACK
SHROUD MATERIAL: LCP, BLACK
BUTTON MATERIAL: LCP, BLACK
ORGANIZER MATERIAL: LCP, BLACK
PIN MATERIAL: BRASS
EJECTOR MATERIAL: STAINLESS STEEL
RAIL PLATE MATERIAL: STAINLESS STEEL
LEVER MATERIAL: STAINLESS STEEL.

THIS DRAWING IS A CONTROLLED DOCUMENT.		OWN: J. MOSER 8/30/93	TE Connectivity																				
DIMENSIONS: mm [INCHES]		CHK: B. ELICKER 8/30/93																					
TOLERANCES UNLESS OTHERWISE SPECIFIED:		APVD: B. ELICKER 8/30/93	NAME: CONNECTOR ASSY, PIN HEADER WITH LH EJECTOR, 68 POSN, TOP BD MTG, THRU-HOLE, AMP MEMORY CARD																				
<table border="1"> <tr><td>0 PLC</td><td>±</td><td>-</td></tr> <tr><td>1 PLC</td><td>±</td><td>-</td></tr> <tr><td>2 PLC</td><td>±</td><td>0.13 [.005]</td></tr> <tr><td>3 PLC</td><td>±</td><td>-</td></tr> <tr><td>4 PLC</td><td>±</td><td>-</td></tr> <tr><td>ANGLES</td><td>-</td><td>-</td></tr> <tr><td>FINISH</td><td>-</td><td>-</td></tr> </table>		0 PLC		±	-	1 PLC	±	-	2 PLC	±	0.13 [.005]	3 PLC	±	-	4 PLC	±	-	ANGLES	-	-	FINISH	-	-
0 PLC	±	-																					
1 PLC	±	-																					
2 PLC	±	0.13 [.005]																					
3 PLC	±	-																					
4 PLC	±	-																					
ANGLES	-	-																					
FINISH	-	-																					
MATERIAL: -		APPLICATION SPEC: -	RESTRICTED TO: -																				
WEIGHT: -		SIZE: A1	CAGE CODE: 00779																				
CUSTOMER DRAWING		DRAWING NO: 146023	SCALE: 4:1																				
		SHEET: 2 OF 3	REV: C																				



RECOMMENDED BOARD LAYOUT
1-146023-1

THIS DRAWING IS A CONTROLLED DOCUMENT.		OWN J. MOSER 8/30/93	TE Connectivity	
DIMENSIONS: mm [INCHES]		CHK B. ELICKER 8/30/93	NAME	
TOLERANCES UNLESS OTHERWISE SPECIFIED:		APVD B. ELICKER 8/30/93	CONNECTOR ASSY, PIN HEADER WITH LH EJECTOR, 68 POSN, TOP BD MTG, THRU-HOLE, AMP MEMORY CARD	
Ø	0 PLC ± -	PRODUCT SPEC	SIZE	
	1 PLC ± -	APPLICATION SPEC	CAGE CODE	
	2 PLC ± 0.13 [.005]	WEIGHT	DRAWING NO	
	3 PLC ± -	CUSTOMER DRAWING	A1 00779	
	4 PLC ± -	SCALE	146023	
ANGLES	± -	4:1	RESTRICTED TO	
FINISH	-	SHEET	REV	
		3 OF 3	C	