



Chipsmall Limited consists of a professional team with an average of over 10 year of expertise in the distribution of electronic components. Based in Hongkong, we have already established firm and mutual-benefit business relationships with customers from,Europe,America and south Asia,supplying obsolete and hard-to-find components to meet their specific needs.

With the principle of “Quality Parts,Customers Priority,Honest Operation,and Considerate Service”,our business mainly focus on the distribution of electronic components. Line cards we deal with include Microchip,ALPS,ROHM,Xilinx,Pulse,ON,Everlight and Freescale. Main products comprise IC,Modules,Potentiometer,IC Socket,Relay,Connector.Our parts cover such applications as commercial,industrial, and automotives areas.

We are looking forward to setting up business relationship with you and hope to provide you with the best service and solution. Let us make a better world for our industry!



Contact us

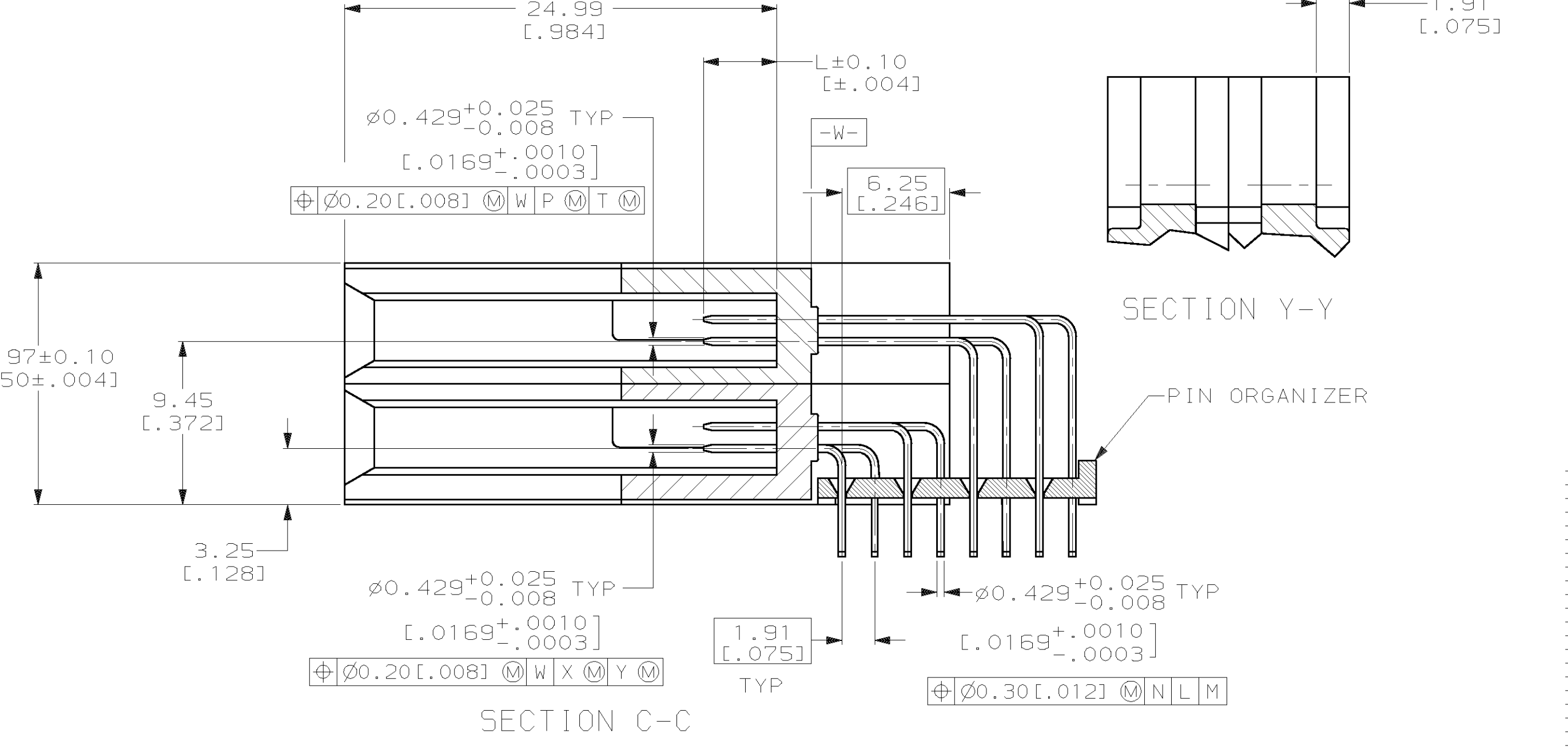
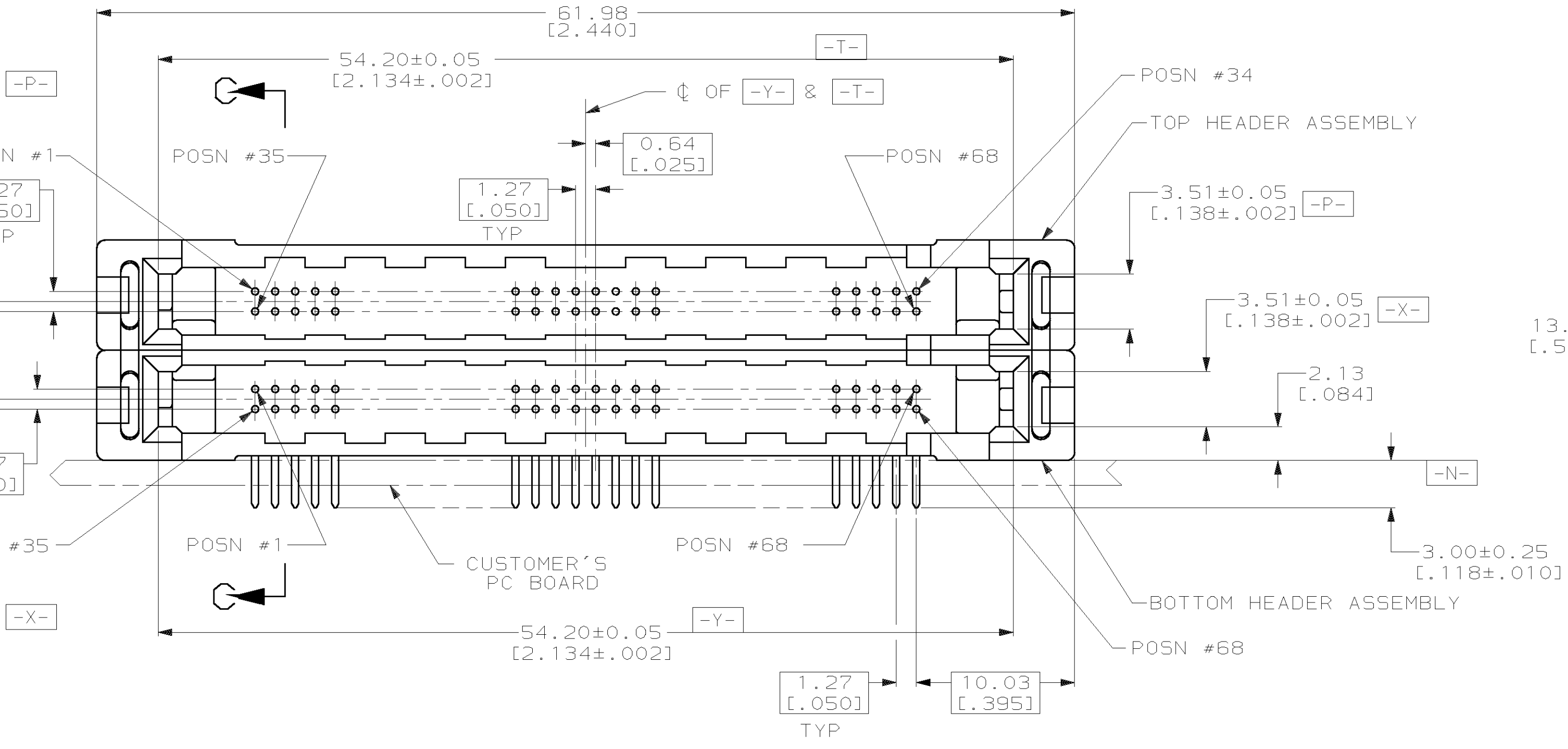
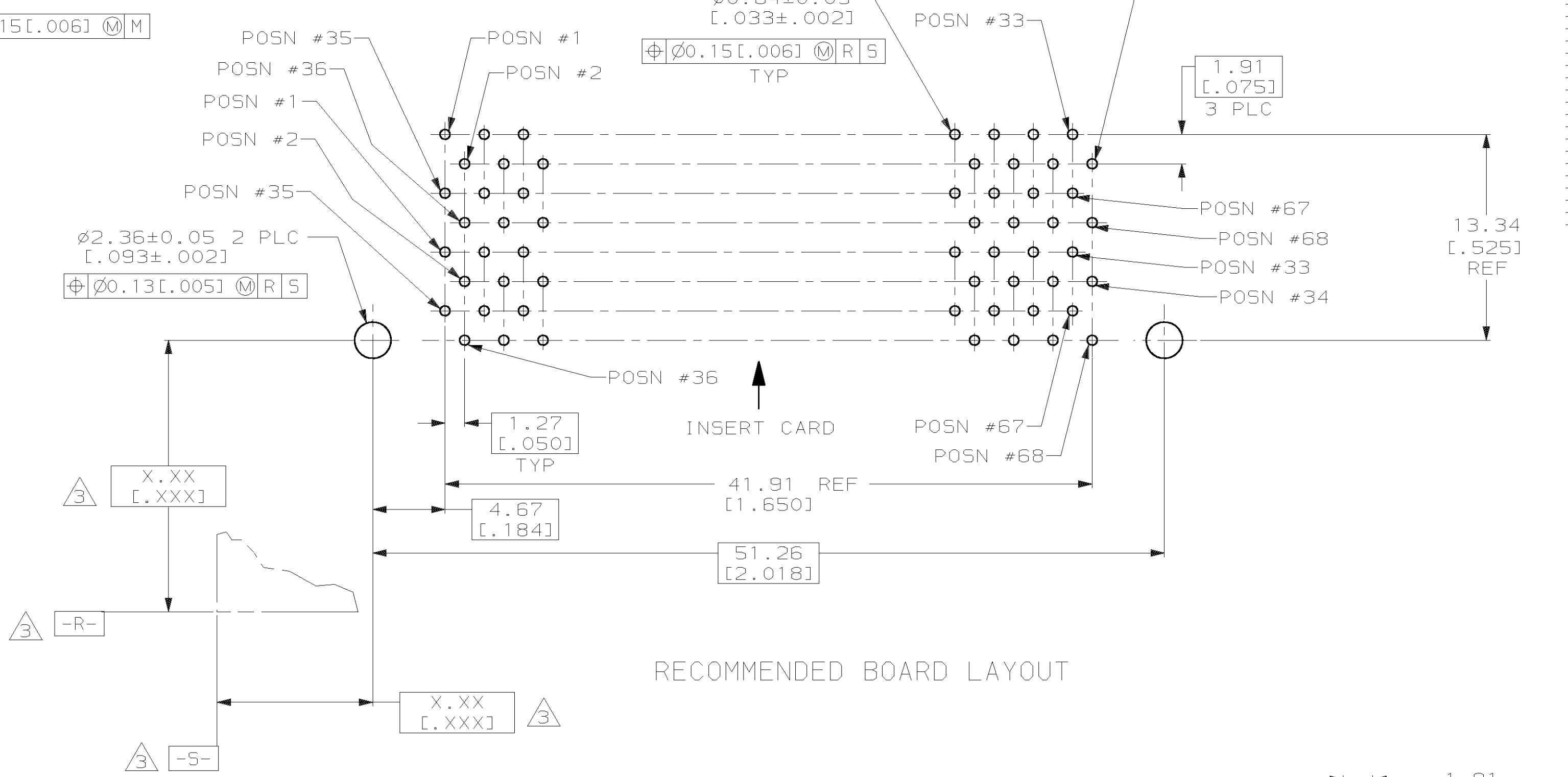
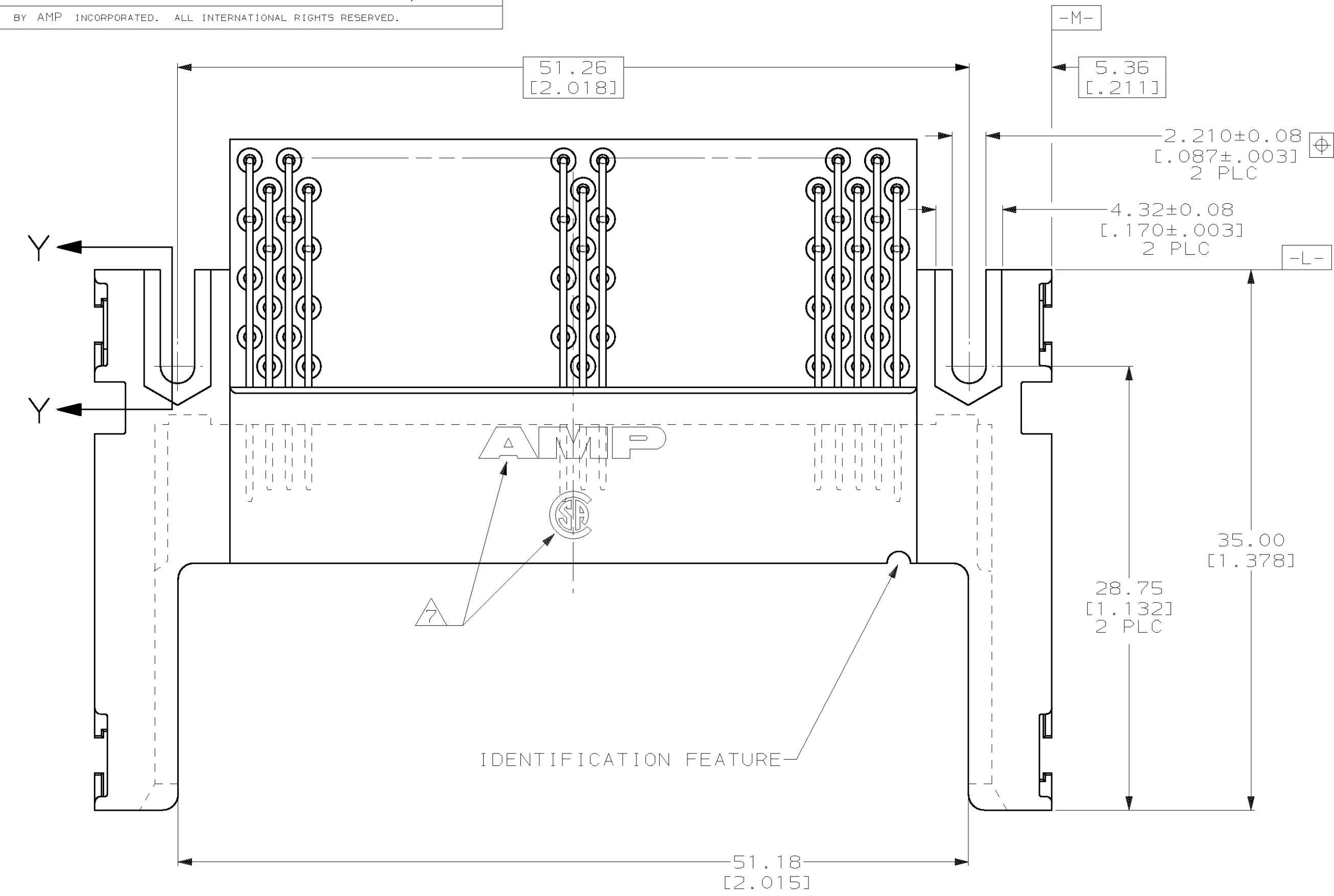
Tel: +86-755-8981 8866 Fax: +86-755-8427 6832

Email & Skype: info@chipsmall.com Web: www.chipsmall.com

Address: A1208, Overseas Decoration Building, #122 Zhenhua RD., Futian, Shenzhen, China



LOC		DIST		REVISIONS		
AD	00	P	F	ZONE	LTR	DESCRIPTION
				E		REVISED PER EC 0651-0079-99
				F		REV PER EC 0512-0473-02
						DATE
						APPD



- 1 0.00076[.000030] MINIMUM GOLD IN CONTACT AREA, 0.00381[.000150] MIN TIN-LEAD ON SOLDER TAILS, ALL OVER 0.00127[.000050] MINIMUM NICKEL
- 2 CUSTOMER TO PROVIDE CARD GUIDANCE SYSTEM
- 3 DATUMS AND BASIC DIMENSIONS ESTABLISHED BY CUSTOMER
- 4 CONNECTOR REQUIRES USE OF 2 - SIZE 2M SCREWS FOR FASTENING TO PRINTED CIRCUIT BOARD
- 5 ASSEMBLY KEYED FOR 5 VOLT CARDS
- 6 ASSEMBLY KEYED FOR LOW VOLT CARDS (3.3V)
- 7 RECESSED AMP AND CSA LOGOS LOCATED ON BOTH SIDES OF HOUSINGS.

VOLTAGE KEYING	5.0	4.25	3.5	PART NO
	[.197]	[.167]	[.138]	
"L" (PIN LENGTH) AND LOCATION				

DO NOT SCALE PRINT. UNLESS SPECIFIED DIMENSIONS IN mm [INCHES] TOLERANCES ON : 2 PLC DEC ± 0.13 [.005] 3 PLC DEC ± - ANGLES ± -	DR 7/1/93 J MOSER CHK 7/1/93 B ELICKER APPD 7/1/93 B ELICKER MATERIAL HOUSING & ORGANIZER: LCP, COLOR; BLACK PIN: BRASS & PHOSPHOR BRONZE FINISH PIN: 1	AMP AMP Incorporated Harrisburg, PA 17105-3508	
	NAME	STACKED PIN HEADER ASSEMBLY, 136 POSN, TOP BOARD MOUNTING, THRU-HOLE, AMP MEMORY CARD	
	PRODUCT SPEC	SIZE	D 00779
	APPLICATION SPEC	CAGE CODE	C=146027
	WEIGHT 16.1 GRAMS	SCALE	4:1
		DRAWING NO	C=146027
		SHEET	1 OF 1

THIS DRAWING IS A CONTROLLED DOCUMENT FOR AMP INCORPORATED. IT IS SUBJECT TO CHANGE AND THE CONTROLLING ENGINEERING ORGANIZATION SHOULD BE CONTACTED FOR THE LATEST REVISION.