



Chipsmall Limited consists of a professional team with an average of over 10 year of expertise in the distribution of electronic components. Based in Hongkong, we have already established firm and mutual-benefit business relationships with customers from,Europe,America and south Asia,supplying obsolete and hard-to-find components to meet their specific needs.

With the principle of “Quality Parts,Customers Priority,Honest Operation,and Considerate Service”,our business mainly focus on the distribution of electronic components. Line cards we deal with include Microchip,ALPS,ROHM,Xilinx,Pulse,ON,Everlight and Freescale. Main products comprise IC,Modules,Potentiometer,IC Socket,Relay,Connector.Our parts cover such applications as commercial,industrial, and automotives areas.

We are looking forward to setting up business relationship with you and hope to provide you with the best service and solution. Let us make a better world for our industry!



## Contact us

Tel: +86-755-8981 8866 Fax: +86-755-8427 6832

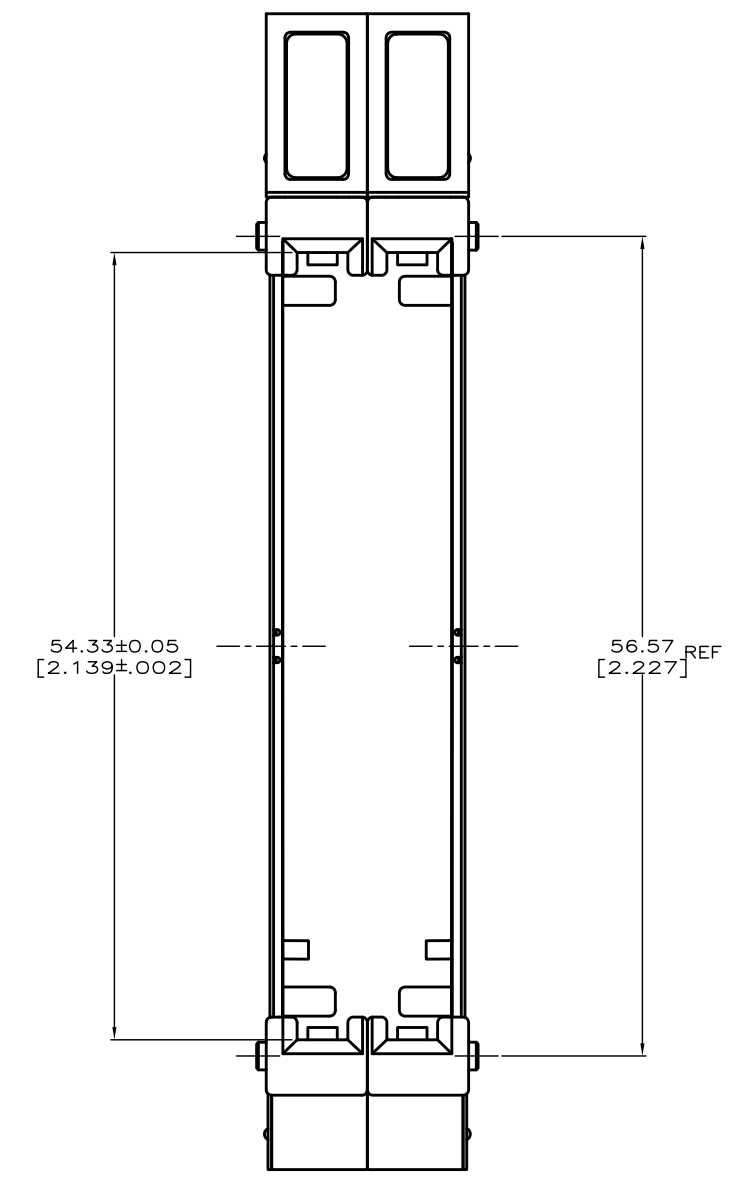
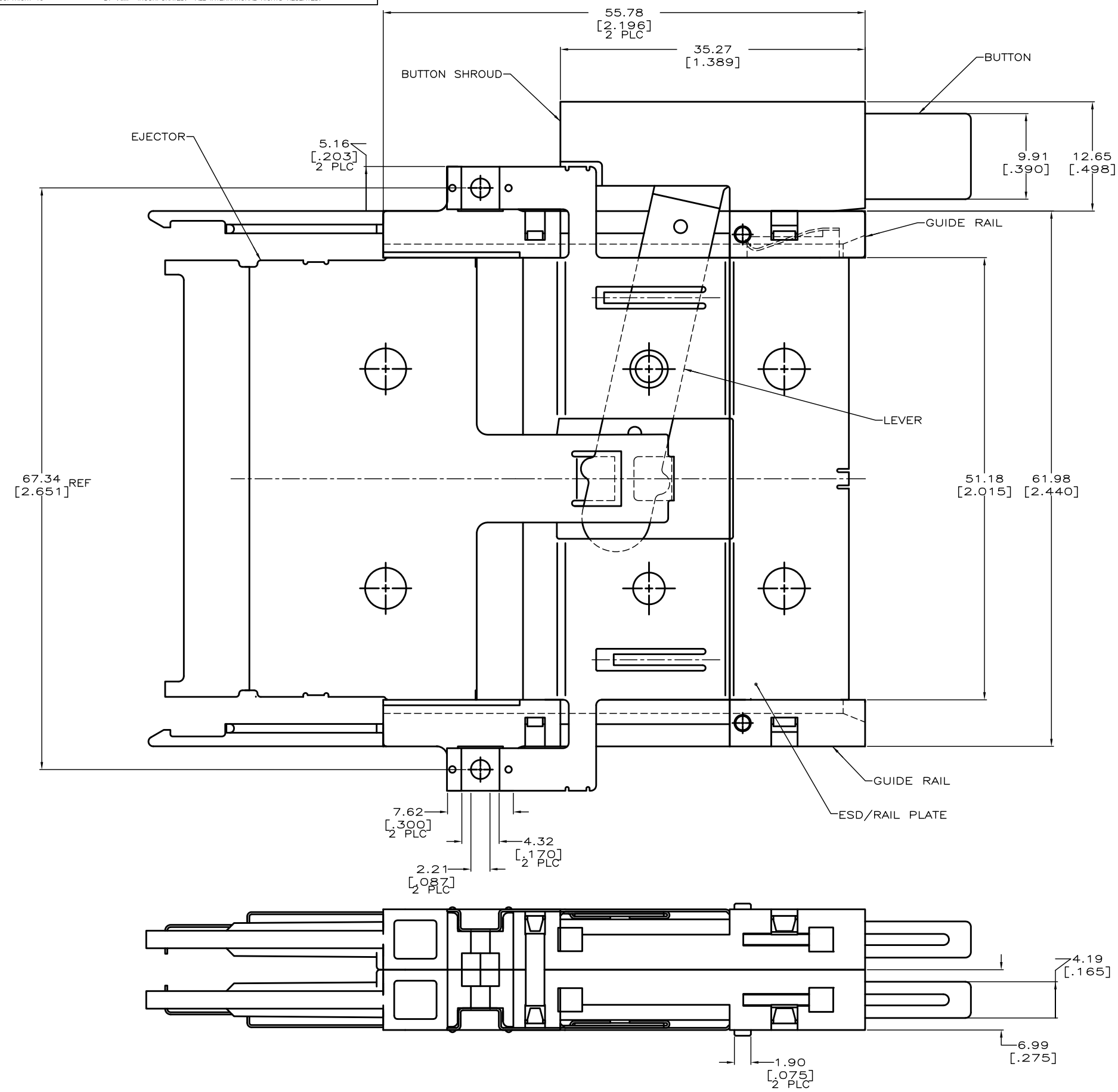
Email & Skype: info@chipsmall.com Web: www.chipsmall.com

Address: A1208, Overseas Decoration Building, #122 Zhenhua RD., Futian, Shenzhen, China



DRAWING MADE IN THIRD ANGLE PROJECTION  
 THIS DRAWING IS UNPUBLISHED. RELEASED FOR PUBLICATION  
 © COPYRIGHT 19 BY AMP INCORPORATED. ALL INTERNATIONAL RIGHTS RESERVED.

LOC		DIST		ZONE		LTR		REVISIONS		DATE	APPD
AD	39							A1	REVISED (ECR-13-013920)	9/6/2013	CW



146036-1  
 PART NO

DO NOT SCALE PRINT.  
 UNLESS SPECIFIED  
 DIMENSIONS IN mm [INCHES]  
 TOLERANCES ON :  
 2 PLC DEC ± 0.13 [.005]  
 3 PLC DEC ± -  
 ANGLES ± -  
 MATERIAL  
 GUIDES, SHROUDS & BUTTON:  
 LCP, COLOR: BLACK  
 EJECTOR, RAIL PLATE & LEVER:  
 STAINLESS STEEL  
 FINISH -

DR 9/9/93  
 J MOSER  
 CHK 9/9/93  
 B ELICKER  
 APPD 9/9/93  
 B ELICKER  
 APPD 9/9/93  
 B ELICKER  
 APPLICATION SPEC -  
 WEIGHT 34.2 GRAMS

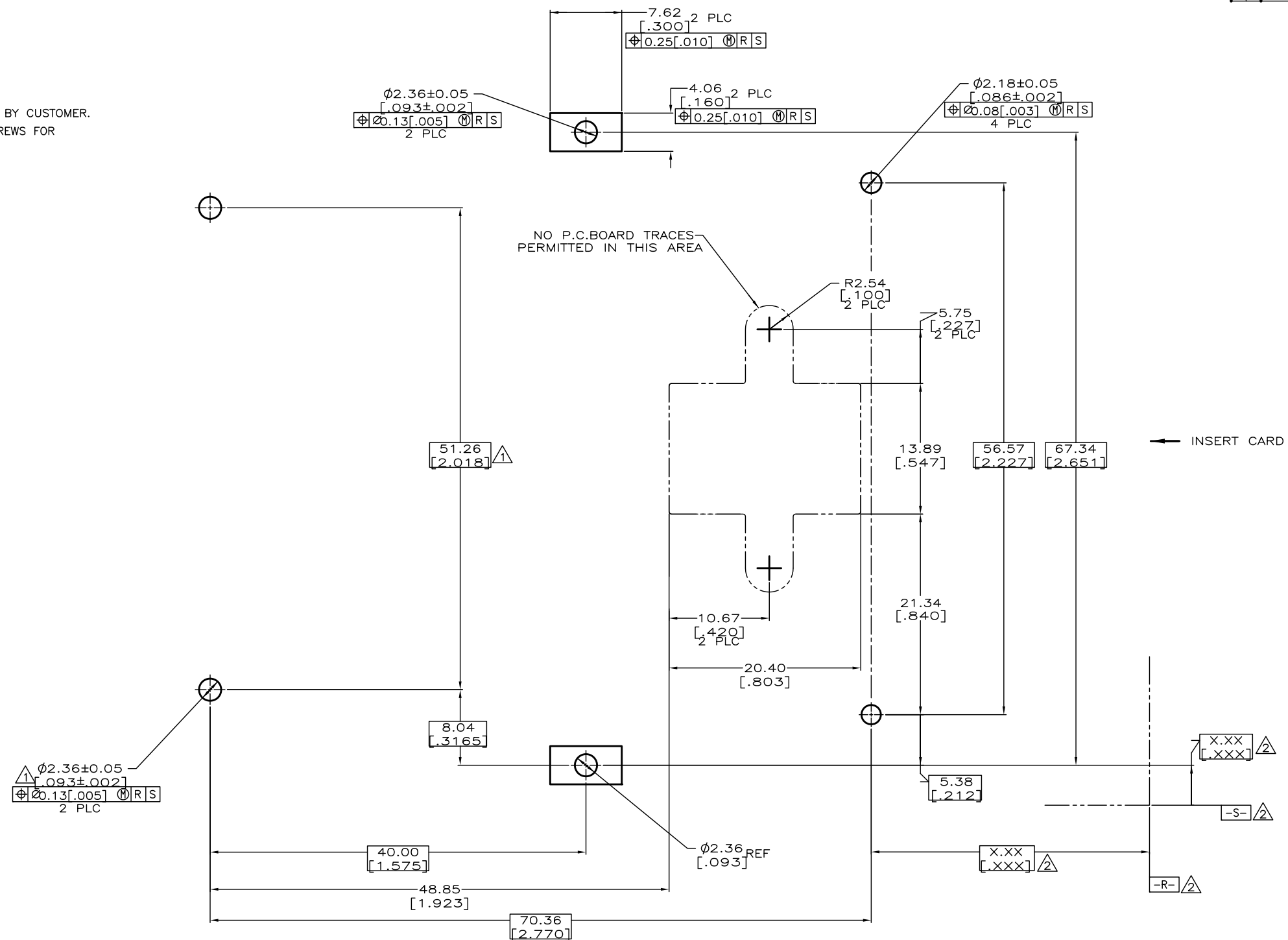
**TE** TE Connectivity  
 NAME  
 ASSEMBLY, STACKED EJECTORS,  
 SAME SIDE BUTTONS, AMP MEMORY CARD  
 SIZE D CAGE CODE 00779 DRAWING NO C-146036  
 SCALE 4:1 SHEET 10F 2

THIS DRAWING IS A CONTROLLED DOCUMENT FOR  
 AMP INCORPORATED. IT IS SUBJECT TO CHANGE  
 AND THE CONTROLLING ENGINEERING ORGANIZATION  
 SHOULD BE CONTACTED FOR THE LATEST REVISION.

CUSTOMER DRAWING

REVISONS		DATE	APPD
AD	39		
A1 SEE SHEET ONE			

- ▲ HEADER MOUNTING HOLE LOCATIONS
- ▲ DATUMS & BASIC DIMENSIONS ESTABLISHED BY CUSTOMER.
- 3. ASSEMBLY REQUIRES USE OF 2-SIZE 2M SCREWS FOR FASTENING TO PRINTED CIRCUIT BOARD.



RECOMMENDED BOARD LAYOUT

DO NOT SCALE PRINT.  
 UNLESS SPECIFIED  
 DIMENSIONS IN mm [INCHES]  
 TOLERANCES ON :  
 2 PLC DEC ± 0.13 [.005]  
 3 PLC DEC ±  
 ANGLES ± -  
 MATERIAL  
 FINISH  
 WEIGHT

DR	9/9/93	J MOSER
CHK	9/9/93	B ELICKER
APPD	9/9/93	B ELICKER
APPD	9/9/93	B ELICKER
PRODUCT SPEC		
APPLICATION SPEC		
WEIGHT		

PART NO		
<b>STE</b> TE Connectivity		
NAME		
ASSEMBLY, STACKED EJECTORS, SAME SIDE BUTTONS, AMP MEMORY CARD		
SIZE	CAGE CODE	DRAWING NO
D	00779	C-146036
SCALE	SHEET	
4:1	2 OF 2	

THIS DRAWING IS A CONTROLLED DOCUMENT FOR AMP INCORPORATED. IT IS SUBJECT TO CHANGE AND THE CONTROLLING ENGINEERING ORGANIZATION SHOULD BE CONTACTED FOR THE LATEST REVISION.