



Chipsmall Limited consists of a professional team with an average of over 10 year of expertise in the distribution of electronic components. Based in Hongkong, we have already established firm and mutual-benefit business relationships with customers from,Europe,America and south Asia,supplying obsolete and hard-to-find components to meet their specific needs.

With the principle of "Quality Parts,Customers Priority,Honest Operation,and Considerate Service",our business mainly focus on the distribution of electronic components. Line cards we deal with include Microchip,ALPS,ROHM,Xilinx,Pulse,ON,Everlight and Freescale. Main products comprise IC,Modules,Potentiometer,IC Socket,Relay,Connector.Our parts cover such applications as commercial,industrial, and automotives areas.

We are looking forward to setting up business relationship with you and hope to provide you with the best service and solution. Let us make a better world for our industry!



## Contact us

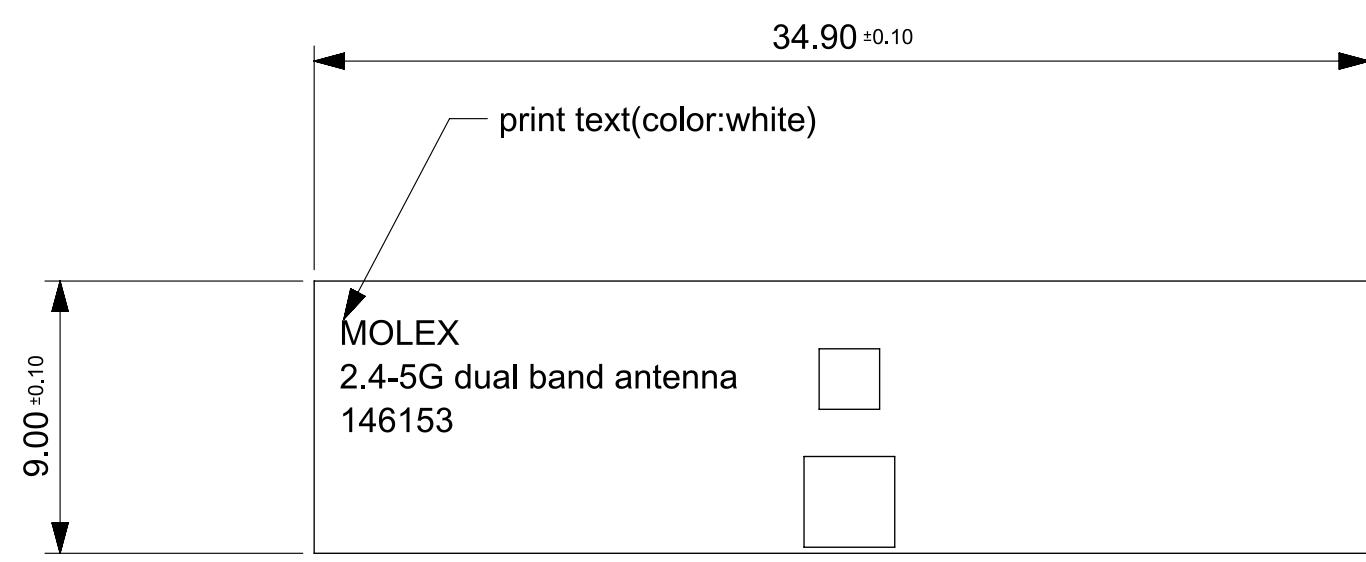
Tel: +86-755-8981 8866 Fax: +86-755-8427 6832

Email & Skype: info@chipsmall.com Web: www.chipsmall.com

Address: A1208, Overseas Decoration Building, #122 Zhenhua RD., Futian, Shenzhen, China



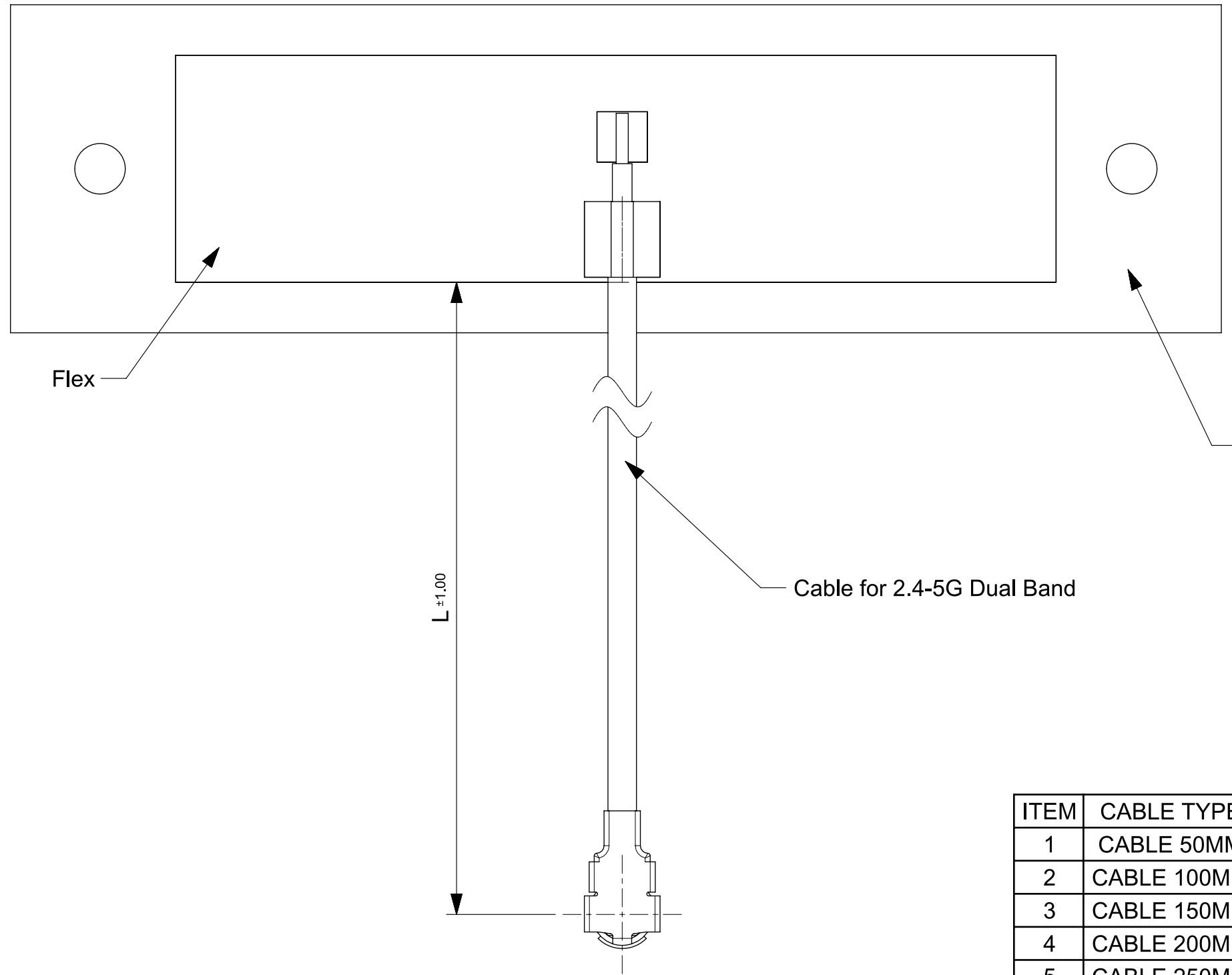
MOLEX				CUSTOMER				DRAWING LOCATION	CHANGE DESCRIPTION	AFFECTED DEPT
DRAWING NO.	REV	ECN NO.	DATA	P/N	P/N	3D REV	2D REV			
SD-146153-050	A	ABU2015-0055	2015/05/14	1461530050				NEW RELEASE		



NOTE:  
 1.Material: Flex 34.9mm \* 9mm  
 Thickness:  
 PSA: 3M966  
 Pl: 25um  
 Base Copper: 18~20um  
 2.TOERANCE ON ALL COPPER ARTWORK IS +/-0.05MM.  
 3.TOLERANCE ON ALL DIE CUTLINES IS +/-0.1MM.  
 4.TOLERANCE BETWEEN ARTWORK AND DIE CUTLINE IS +/-0.25MM.Others: +/-0.2mm  
 5.Ni&Au plating in the solder pad area:  
 Ni: 1-3 um, Au: min. 0.025 um thickness  
 6.Solder Mask: BLACK.  
 7.THE DIMENSION WITH MARK" " NEED TO DO CPK CONTROL.

ITEM	ASSY P/N	Cable P/N	Flex P/N	DESCRIPTION
1	1461530050	1461530005	1461530002	Flex +50mm Cable
2	1461530100	1461530010	1461530002	Flex +100mm Cable
3	1461530150	1461530015	1461530002	Flex +150mm Cable
4	1461530200	1461530020	1461530002	Flex +200mm Cable
5	1461530250	1461530025	1461530002	Flex +250mm Cable
6	1461530300	1461530030	1461530002	Flex +300mm Cable

THIS DRAWING CONTAINS INFORMATION THAT IS PROPRIETARY TO MOLEX INCORPORATED AND SHOULD NOT BE USED WITHOUT WRITTEN PERMISSION													
EC DESCRIPTION EC NO: ABU2015-0055 DRWN: ZLRAO CHK'D: Chris Yu APPR: Welson Tan	05/14/15	05/14/15	05/14/15	QUALITY SYMBOLS	GENERAL TOLERANCES (UNLESS SPECIFIED) ANGULAR TOL ± 1/2 ° 4 PLACES ± 0.00000 3 PLACES ± 0.0000 2 PLACES ± 0.000 1 PLACE ± 0.00 0 PLACES ± 0.00 DRAFT WHERE APPLICABLE MUST REMAIN WITHIN DIMENSIONS	DIMENSION UNITS	SCALE	 2.4-5G dual band flex_ASSY					
						mm	5:1						
						DRWN BY	DATE					ZLRAO	2015/05/14
								CHK'D BY	DATE	PRODUCT DESIGN DRAWING SERIES: 146153 MATERIAL NUMBER: See Table CUSTOMER: GENERAL MARKET			
								Chris Yu	2015/05/14				
						APPR BY	DATE	DOCUMENT NUMBER: SD-146153-050 DOC TYPE: XXX DOC PART: XXX SHEET NUMBER: 1 OF 2					
						Welson Tan	2015/05/14	DRAWING SIZE	THIRD ANGLE PROJECTION	A3			



ITEM	CABLE TYPE	Cable PN	CABLE LENGTH "L"
1	CABLE 50MM	1461530005	43.3MM
2	CABLE 100MM	1461530010	93.3MM
3	CABLE 150MM	1461530015	143.3MM
4	CABLE 200MM	1461530020	193.3MM
5	CABLE 250MM	1461530025	243.3MM
6	CABLE 300MM	1461530030	293.3MM

NOTE:  
 1. THE DIMENSION WITH TOLERANCE IN BOX SHOULD BE CONTROLLED BY FLEX SUPPLIER AND TOLERANCE OF OTHER DIMENSIONS:  $\varnothing 0.2\text{MM}$ .  
 2. The cable line can not be rotated with the weld point for more than 60 degrees.  
 3. For pull test, can not lift up in the vertical direction

THIS DRAWING CONTAINS INFORMATION THAT IS PROPRIETARY TO MOLEX INCORPORATED AND SHOULD NOT BE USED WITHOUT WRITTEN PERMISSION											
EC DESCRIPTION EC NO: ABU2015-0055 DRWN: ZLRAO CHK'D: Chris Yu APPR: Welson Tan	05/14/15 05/14/15 05/14/15	QUALITY SYMBOLS	GENERAL TOLERANCES (UNLESS SPECIFIED)	DIMENSION UNITS	SCALE	 2.4-5G dual band flex_ASSY					
		$\nabla = 0$	ANGULAR TOL $\pm 1/2^\circ$	mm	4:1						
		$\nabla = 0$	4 PLACES $\pm 0.00000$	DRWN BY	DATE						
		$\nabla = 0$	3 PLACES $\pm 0.00000$	ZLRAO	2015/05/14	PRODUCT DESIGN DRAWING					
		$\nabla = 0$	2 PLACES $\pm 0.0000$	CHK'D BY	DATE						
		Chris Yu	2015/05/14	SERIES: 146153    MATERIAL NUMBER: See Table    CUSTOMER: GENERAL MARKET							
		1 PLACE $\pm 0.00$	APPR BY							DATE	
		0 PLACES $\pm 0.00$	Welson Tan	2015/05/14	DOCUMENT NUMBER: SD-146153-050    DOC TYPE: XXX    DOC PART: XXX    SHEET NUMBER: 2 OF 2						
		DRAFT WHERE APPLICABLE MUST REMAIN WITHIN DIMENSIONS		DRAWING SIZE							THIRD ANGLE PROJECTION
A	REV			A3							