



Chipsmall Limited consists of a professional team with an average of over 10 year of expertise in the distribution of electronic components. Based in Hongkong, we have already established firm and mutual-benefit business relationships with customers from,Europe,America and south Asia,supplying obsolete and hard-to-find components to meet their specific needs.

With the principle of "Quality Parts,Customers Priority,Honest Operation,and Considerate Service",our business mainly focus on the distribution of electronic components. Line cards we deal with include Microchip,ALPS,ROHM,Xilinx,Pulse,ON,Everlight and Freescale. Main products comprise IC,Modules,Potentiometer,IC Socket,Relay,Connector.Our parts cover such applications as commercial,industrial, and automotives areas.

We are looking forward to setting up business relationship with you and hope to provide you with the best service and solution. Let us make a better world for our industry!



Contact us

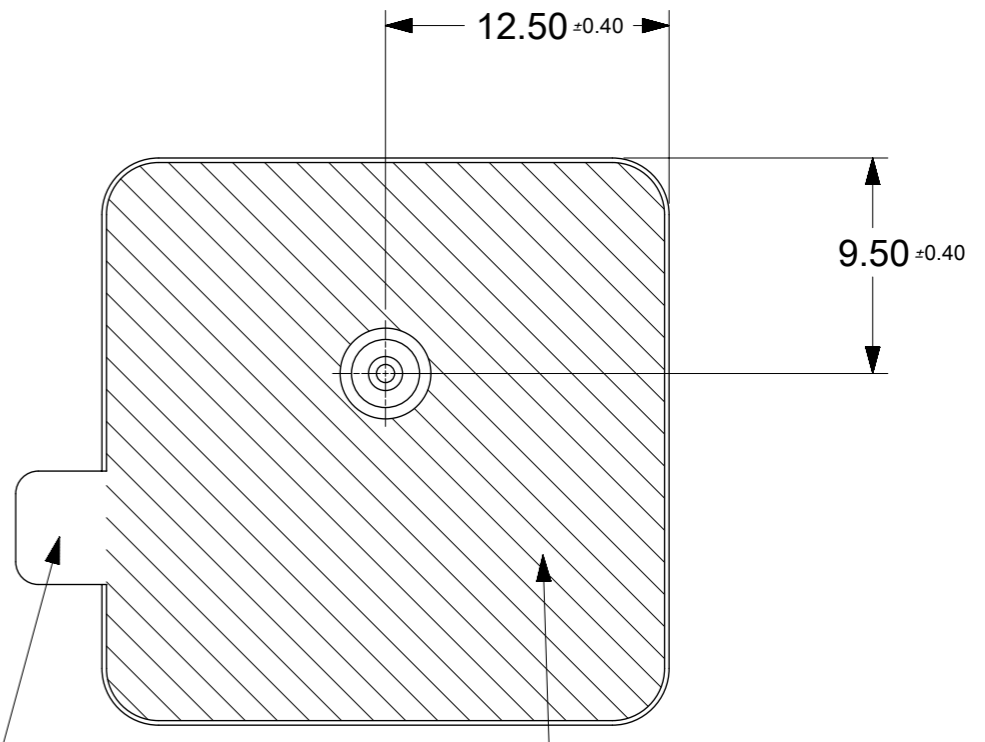
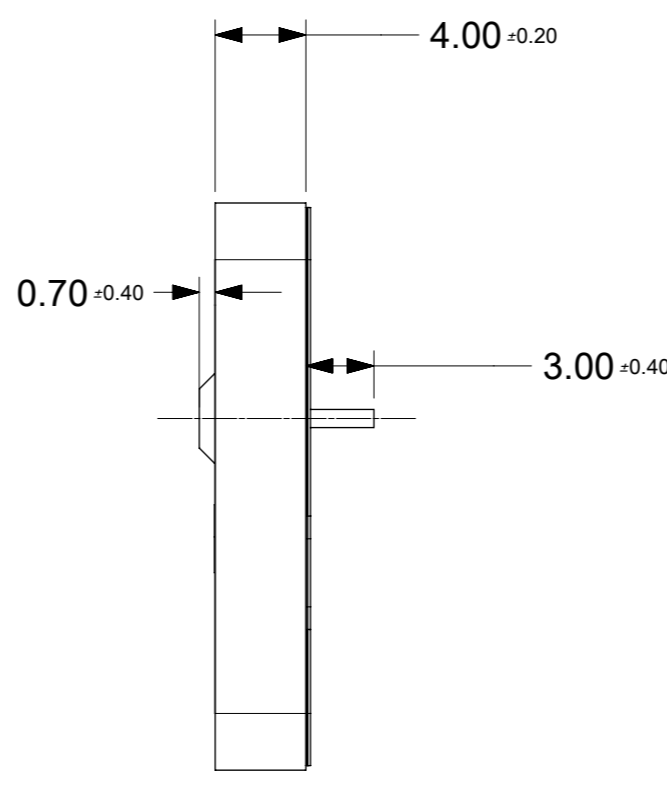
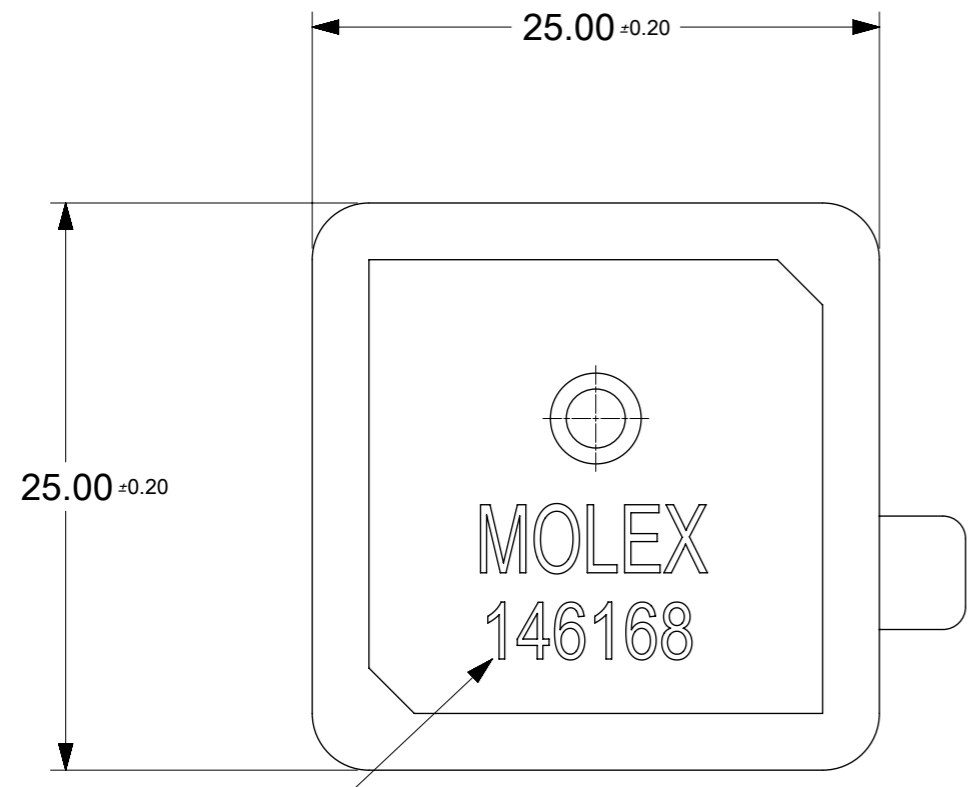
Tel: +86-755-8981 8866 Fax: +86-755-8427 6832

Email & Skype: info@chipsmall.com Web: www.chipsmall.com

Address: A1208, Overseas Decoration Building, #122 Zhenhua RD., Futian, Shenzhen, China



MOLEX					CUSTOMER		3D REV	CHANGE INFORMATION			
DRAWING NO.	REV	ECN NO.	DATA	P/N	P/N	2D REV		DRAWING LOCATION	CHANGE DESCRIPTION		AFFECTED DEPT
1461680001	1	107478	2016/08/14	1461680001	/	/	/	ALL	Proto 1 New Release		AQP/ME/RF/PE/POP

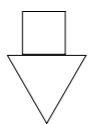
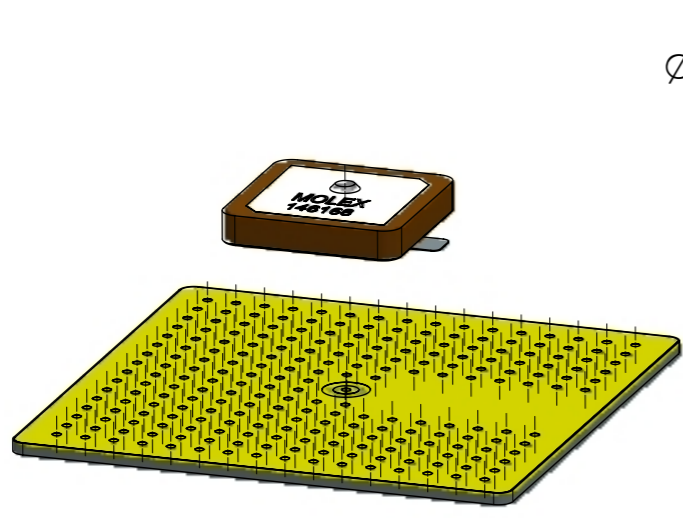


LINER(RELEASE PAPER)

ADHESIVE AREA

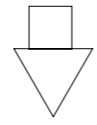
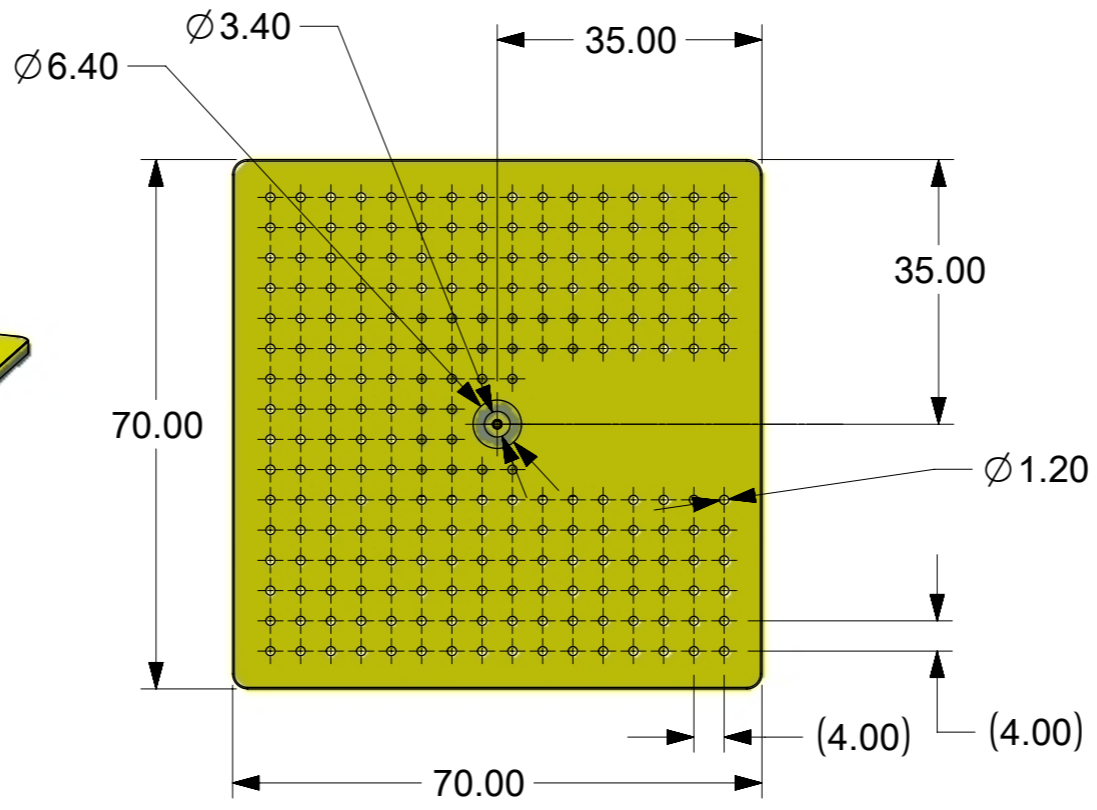
NOTES:
 1. MATERIAL: CERAMIC
 2. AG THICKNESS: 8-10UM
 3. GENERAL COSMETIC APPEARANCE AS DEFINED BY MOLEX COSMETIC SPECIFICATION

QUALITY SYMBOLS FA = 0 FE = 0 FP = 0 TV = 0 VC = 0 X = 0 B = 0 V = 0	THIS DRAWING CONTAINS INFORMATION THAT IS PROPRIETARY TO MOLEX ELECTRONIC TECHNOLOGIES, LLC AND SHOULD NOT BE USED WITHOUT WRITTEN PERMISSION									
	EC NO: 107478 DRWN: TZHOU07 CHK'D: YXGAO04 APPR: CYU08	GENERAL TOLERANCES (UNLESS SPECIFIED) ANGULAR TOL ± °		DIMENSION UNITS: MM SCALE:						
		4 PLACES ± 3 PLACES ± 2 PLACES ± 1 PLACE ± 0 PLACES ±		DRWN BY: TZHOU07 DATE: 2016/08/13						
		DRAFT WHERE APPLICABLE MUST REMAIN WITHIN DIMENSIONS		APPR BY: CYU08 DATE: 2016/11/06		PRODUCT CUSTOMER DRAWING				
A		A3		THIRD ANGLE PROJECTION		SERIES: 146168 MATERIAL NUMBER:		CUSTOMER:		
RELEASE STATUS: P1 RELEASE DATE: 07.11.2016 09:34:32		DOCUMENT NUMBER: 1461680001		DOC TYPE: PSD		DOC PART: SD		SHEET NUMBER: 1 OF 3		

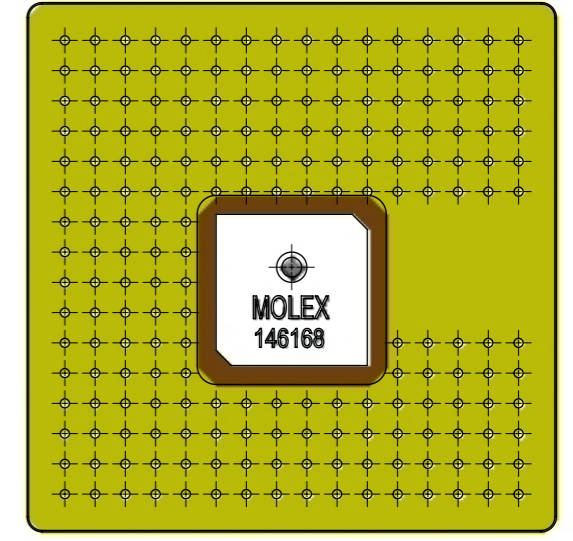


*PCB SIZE 70X70X1.6MM

RELEASE THE LINER AND STICK THE ANTENNA PARALLEL ONTO PCB



SOLDERING THE CABLE WITH ANTENNA PIN ONTO PCB



THIS DRAWING CONTAINS INFORMATION THAT IS PROPRIETARY TO MOLEX ELECTRONIC TECHNOLOGIES, LLC AND SHOULD NOT BE USED WITHOUT WRITTEN PERMISSION														
QUALITY SYMBOLS 	EC NO: 107478 DRWN: TZHOU07 CHK'D: YXGAO04 APPR: CYU08	GENERAL TOLERANCES (UNLESS SPECIFIED) ANGULAR TOL ± °		DIMENSION UNITS MM	SCALE	 RHCP CERAMIC GPS ANT								
		4 PLACES ±	3 PLACES ±	2 PLACES ±	1 PLACE ±							0 PLACES ±	DRWN BY TZHOU07	DATE 2016/08/13
		DRAFT WHERE APPLICABLE MUST REMAIN WITHIN DIMENSIONS										CHK'D BY YXGAO04	DATE 2016/11/06	
		APPR BY CYU08		DATE 2016/11/06		PRODUCT CUSTOMER DRAWING		SERIES 146168	MATERIAL NUMBER	CUSTOMER				
		A		REV	A3		THIRD ANGLE PROJECTION 	DOCUMENT NUMBER 1461680001		DOC TYPE PSD	DOC PART SD	SHEET NUMBER 2 OF 3		