



Chipsmall Limited consists of a professional team with an average of over 10 year of expertise in the distribution of electronic components. Based in Hongkong, we have already established firm and mutual-benefit business relationships with customers from,Europe,America and south Asia,supplying obsolete and hard-to-find components to meet their specific needs.

With the principle of “Quality Parts,Customers Priority,Honest Operation,and Considerate Service”,our business mainly focus on the distribution of electronic components. Line cards we deal with include Microchip,ALPS,ROHM,Xilinx,Pulse,ON,Everlight and Freescale. Main products comprise IC,Modules,Potentiometer,IC Socket,Relay,Connector.Our parts cover such applications as commercial,industrial, and automotives areas.

We are looking forward to setting up business relationship with you and hope to provide you with the best service and solution. Let us make a better world for our industry!



Contact us

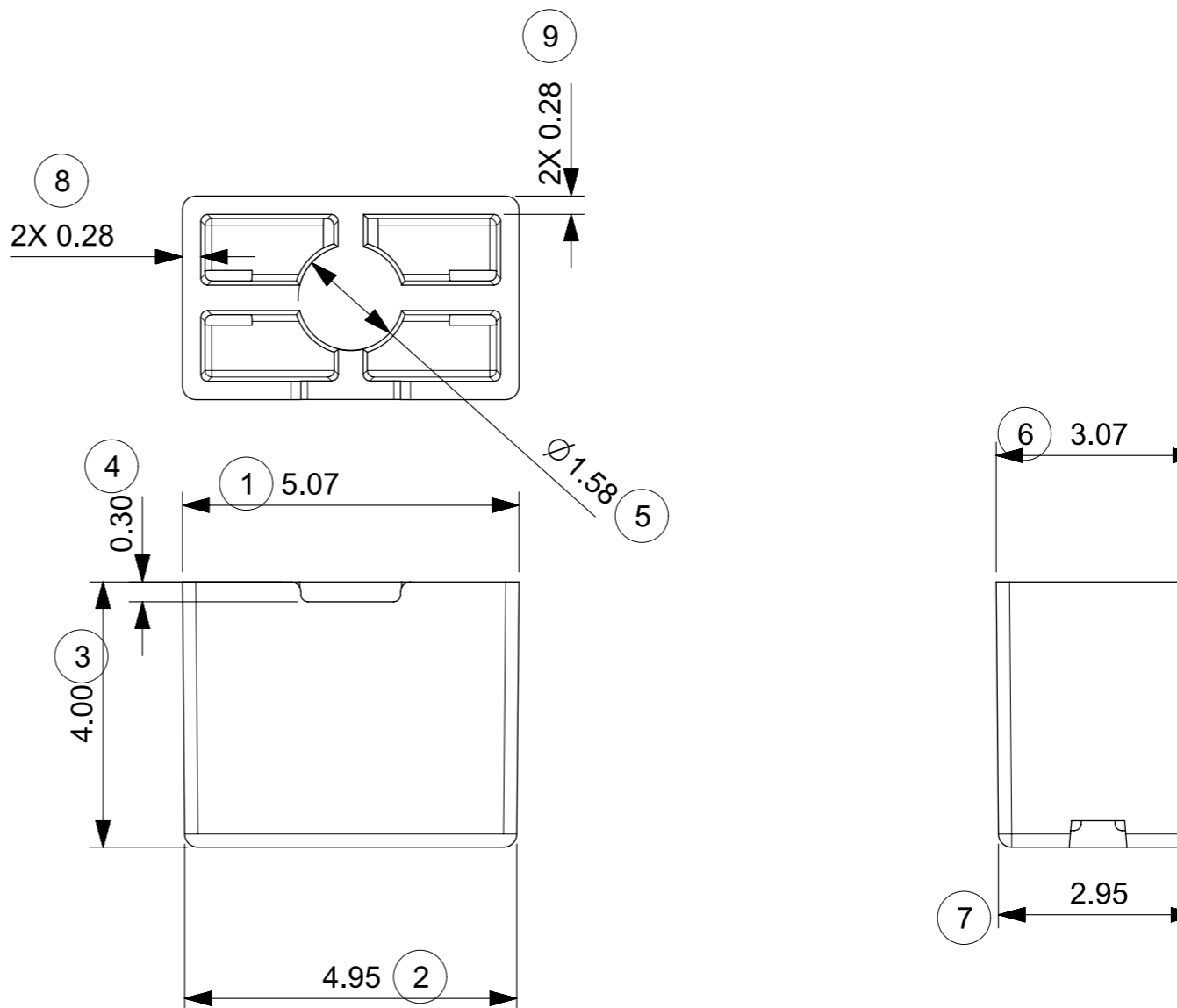
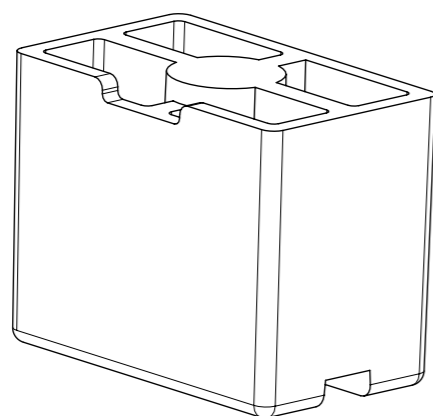
Tel: +86-755-8981 8866 Fax: +86-755-8427 6832

Email & Skype: info@chipsmall.com Web: www.chipsmall.com

Address: A1208, Overseas Decoration Building, #122 Zhenhua RD., Futian, Shenzhen, China



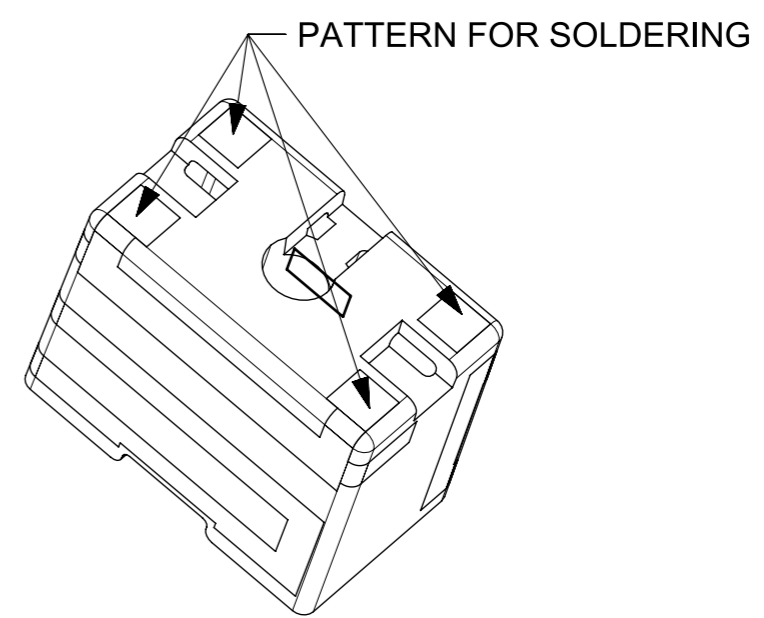
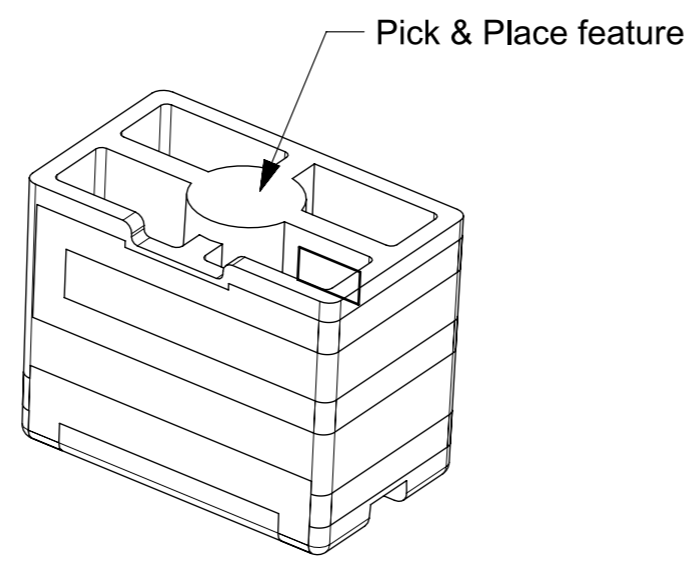
MOLEX					CUSTOMER			DRAWING LOCATION	CHANGE DESCRIPTION	AFFECTED DEPT
DRAWING NO.	REV	ECN NO.	DATA	P/N	P/N	3D REV	2D REV			
SD-146175-001	A	ABU2016-0014	2015/08/17	1461750001				NEW RELEASE		



NOTE:
 1. MATERIAL :LCP-LDS, VECTRA E840ILDS, 40% MINERAL FILLED LASER DIRECT STRUCTURING GRADE,UL94V-0;
 2.GENERAL TOLERANCE :+/-0.05MM
 3.PRODUCT COMPLANT TO ROHS DIERTIVE 2002/95/EC AND ELV DIRECTIVE2000/53/EC

THIS DRAWING CONTAINS INFORMATION THAT IS PROPRIETARY TO MOLEX INCORPORATED AND SHOULD NOT BE USED WITHOUT WRITTEN PERMISSION											
QUALITY SYMBOLS	EC NO. 0099/99/99	EC DRAWN 99/99/99	EC CHKD 99/99/99	EC APPR 99/99/99	GENERAL TOLERANCES (UNLESS SPECIFIED)		DIMENSION UNITS	SCALE			
					ANGULAR TOL $\pm 0.5^\circ$		mm	10:1			
∇ = 0	A	REV	A	A	4 PLACES	± 0.00000	DRWN BY	DATE	HOUSING FOR 2.4/5G SMD ON GROND ANTENNA		
∇ = 0					3 PLACES	± 0.0000	Zlrao	2015/08/17			
∇ = 0					2 PLACES	± 0.0000	CHK'D BY	DATE	PRODUCT DESIGN DRAWING		
∇ = 0					1 PLACE	± 0.0000	Jack Shi	2015/08/17			
∇ = 0					0 PLACES	± 0.0000	APPR BY	DATE	SERIES: 146175 MATERIAL NUMBER: 1461750001 CUSTOMER: GENERAL MARKET		
∇ = 0					DRAFT WHERE APPLICABLE MUST REMAIN WITHIN DIMENSIONS		Chris Yu	2015/08/17			
∇ = 0			DRAWING SIZE	THIRD ANGLE PROJECTION	DOCUMENT NUMBER: SD-146175-001 DOC TYPE: XXX DOC PART: XXX SHEET NUMBER: 1 OF 3						
∇ = 0			A3								

RELEASE STATUS	RELEASE DATE
----------------	--------------



Notes:

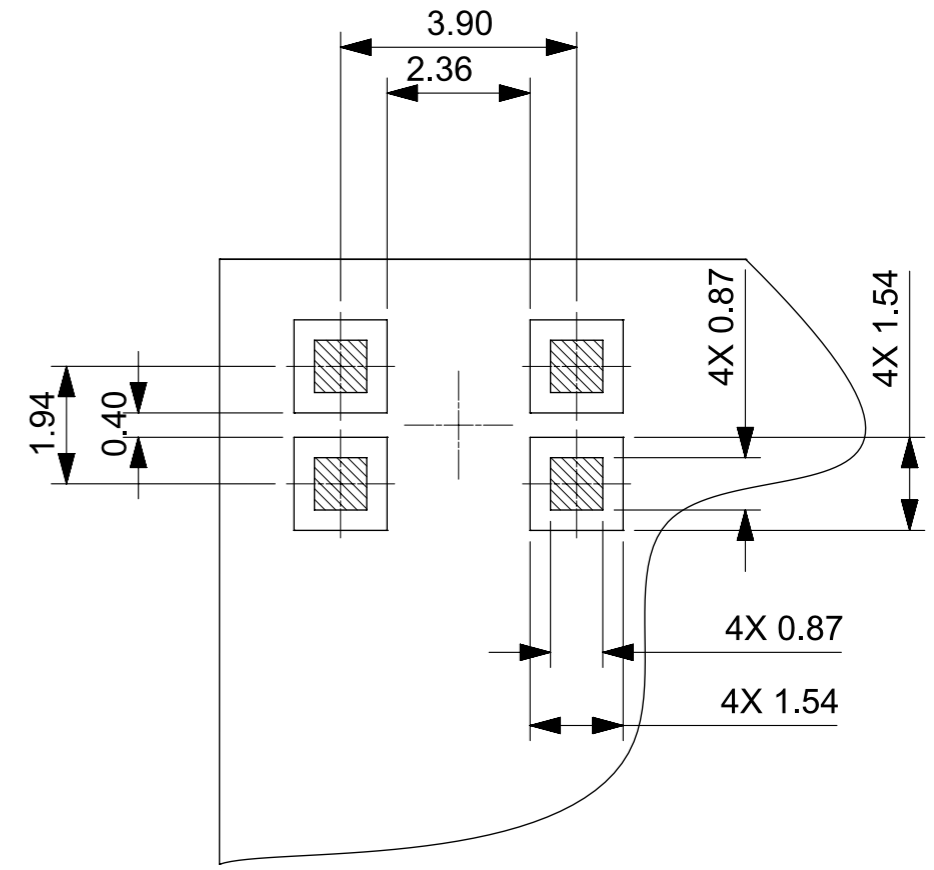
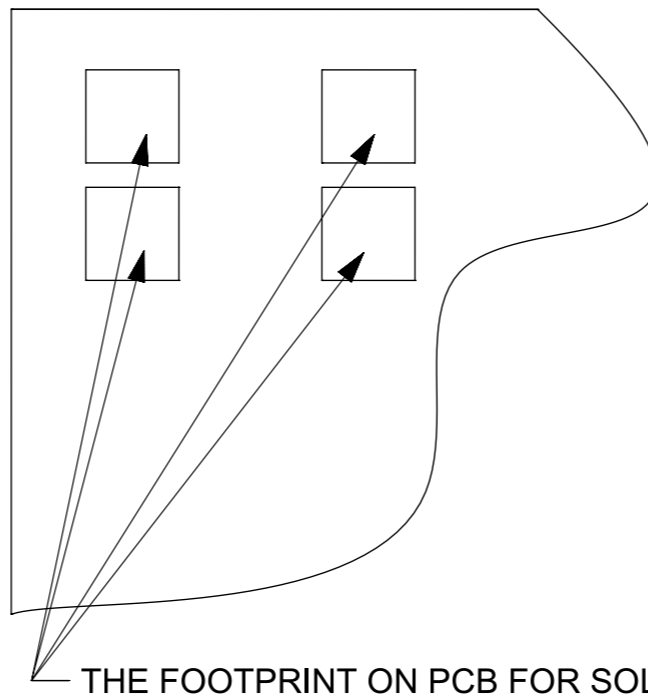
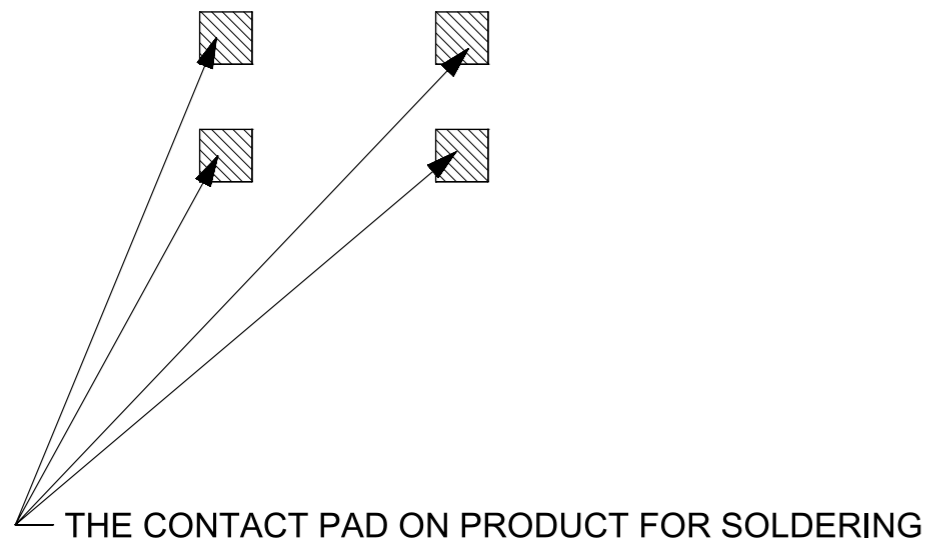
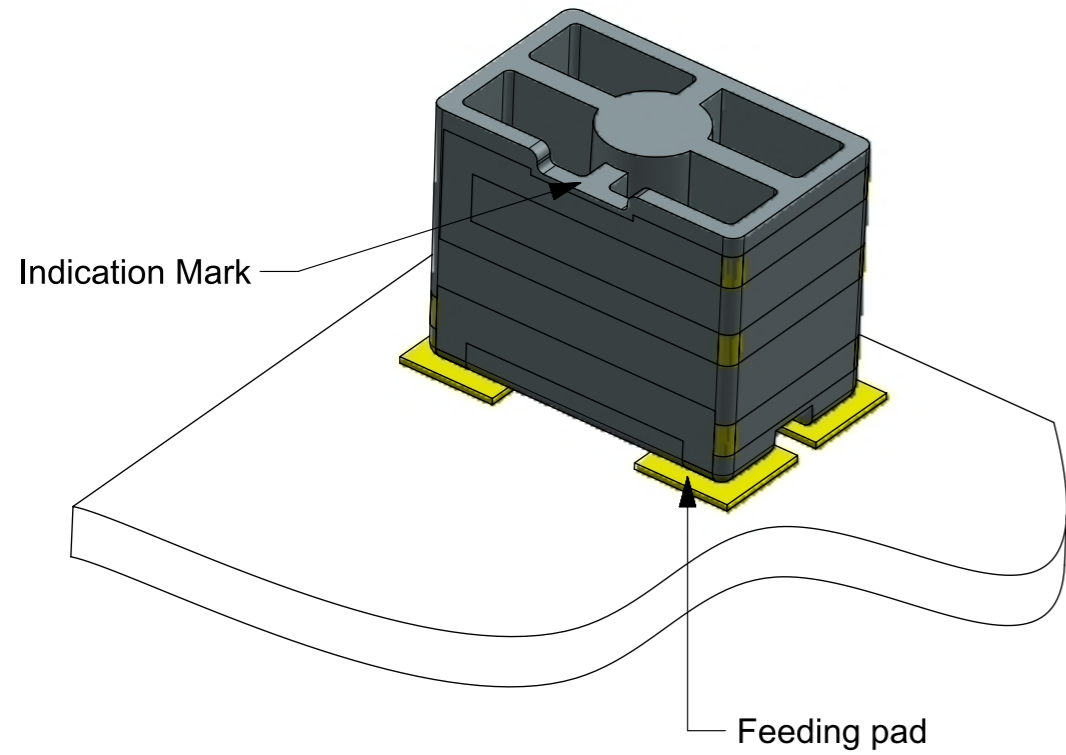
1. PLATING SPEC:

- Cu: 10-14 UM;
- Ni: 1-2.5 UM;
- Au: 0.05 UM MINIMUM

2. OVER FLOWING OF PATTERN PROFILE AFTER PLATING:0.03UM MAXIMUM.

THIS DRAWING CONTAINS INFORMATION THAT IS PROPRIETARY TO MOLEX INCORPORATED AND SHOULD NOT BE USED WITHOUT WRITTEN PERMISSION													
QUALITY SYMBOLS ▽ = 0 ▽ = 0 ▽ = 0 ▼ = 0 ▽ = 0 ☒ = 0 ■ = 0 ▽ = 0	EC DESCRIPTION EC NO: 0099/99/99 DRWN: 99/99/99 CHK'D: 99/99/99 APPR: 99/99/99	GENERAL TOLERANCES (UNLESS SPECIFIED)		DIMENSION UNITS	SCALE								
		ANGULAR TOL ± 0.5 °		mm	10:1								
		4 PLACES ± 0.0000		DRWN BY	DATE	PATTERN FOR 2.4/5G SMD ON GROND ANTENNA							
		3 PLACES ± 0.0000		Zlrao	2015/08/17								
		2 PLACES ± 0.0000		CHK'D BY	DATE								
		1 PLACE ± 0.00		Jack Shi	2015/08/17	PRODUCT DESIGN DRAWING							
		0 PLACES ± 0.00		APPR BY	DATE								
		DRAFT WHERE APPLICABLE MUST REMAIN WITHIN DIMENSIONS		Chris Yu	2015/08/17	SERIES	MATERIAL NUMBER	CUSTOMER					
				A3	THIRD ANGLE PROJECTION	146175	1461750001	GENERAL MARKET					
						DOCUMENT NUMBER		DOC TYPE	DOC PART	SHEET NUMBER			
				SD-146175-001		XXX	XXX	2 OF 3					

RELEASE STATUS	RELEASE DATE
----------------	--------------



RECOMMENDED PCB PATTERN LAYOUT

THIS DRAWING CONTAINS INFORMATION THAT IS PROPRIETARY TO MOLEX INCORPORATED AND SHOULD NOT BE USED WITHOUT WRITTEN PERMISSION																			
QUALITY SYMBOLS	EC NO. EC NO. 0099/99/99	EC DESCRIPTION	GENERAL TOLERANCES (UNLESS SPECIFIED)		DIMENSION UNITS	SCALE													
			ANGULAR TOL ± 0.5 °		mm	1:1													
▽ = 0	0099/99/99	EC NO. EC NO. 0099/99/99 DRWN: EC DRAWN CHK'D: EC CHKD APPR: EC APPR	4 PLACES ± 0.00000		DRWN BY	DATE	FOOTPRINT FOR 2.4/5G SMD ON GROND ANTENNA												
▽ = 0	99/99/99		3 PLACES ± 0.00000		Zlrao	2015/08/17													
▽ = 0	99/99/99		2 PLACES ± 0.0000		CHK'D BY	DATE	PRODUCT DESIGN DRAWING												
▼ = 0			1 PLACE ± 0.000		Jack Shi	2015/08/17													
▽ = 0			0 PLACES ± 0.00		APPR BY	DATE	<table border="1"> <tr> <td>SERIES</td> <td>MATERIAL NUMBER</td> <td>CUSTOMER</td> </tr> <tr> <td>146175</td> <td>1461750001</td> <td>GENERAL MARKET</td> </tr> </table>					SERIES	MATERIAL NUMBER	CUSTOMER	146175	1461750001	GENERAL MARKET		
SERIES	MATERIAL NUMBER	CUSTOMER																	
146175	1461750001	GENERAL MARKET																	
▽ = 0	A	REV	DRAFT WHERE APPLICABLE MUST REMAIN WITHIN DIMENSIONS		DRAWING SIZE	THIRD ANGLE PROJECTION	<table border="1"> <tr> <td>DOCUMENT NUMBER</td> <td>DOC TYPE</td> <td>DOC PART</td> <td>SHEET NUMBER</td> </tr> <tr> <td>SD-146175-001</td> <td>XXX</td> <td>XXX</td> <td>3 OF 3</td> </tr> </table>					DOCUMENT NUMBER	DOC TYPE	DOC PART	SHEET NUMBER	SD-146175-001	XXX	XXX	3 OF 3
DOCUMENT NUMBER	DOC TYPE	DOC PART	SHEET NUMBER																
SD-146175-001	XXX	XXX	3 OF 3																
▽ = 0					A3														

RELEASE STATUS	RELEASE DATE
----------------	--------------