



Chipsmall Limited consists of a professional team with an average of over 10 year of expertise in the distribution of electronic components. Based in Hongkong, we have already established firm and mutual-benefit business relationships with customers from,Europe,America and south Asia,supplying obsolete and hard-to-find components to meet their specific needs.

With the principle of “Quality Parts,Customers Priority,Honest Operation,and Considerate Service”,our business mainly focus on the distribution of electronic components. Line cards we deal with include Microchip,ALPS,ROHM,Xilinx,Pulse,ON,Everlight and Freescale. Main products comprise IC,Modules,Potentiometer,IC Socket,Relay,Connector.Our parts cover such applications as commercial,industrial, and automotives areas.

We are looking forward to setting up business relationship with you and hope to provide you with the best service and solution. Let us make a better world for our industry!



Contact us

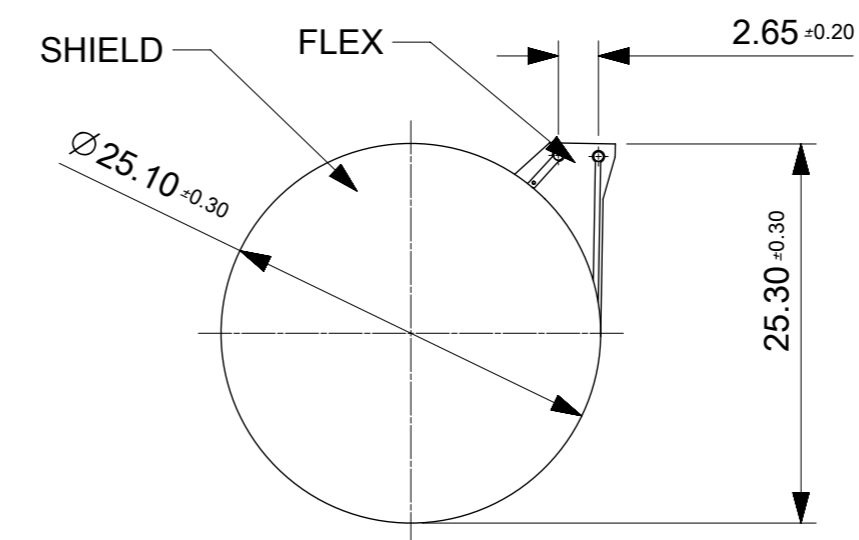
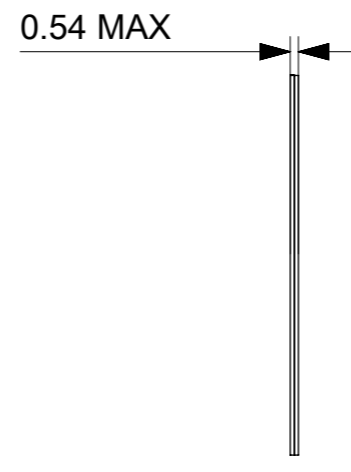
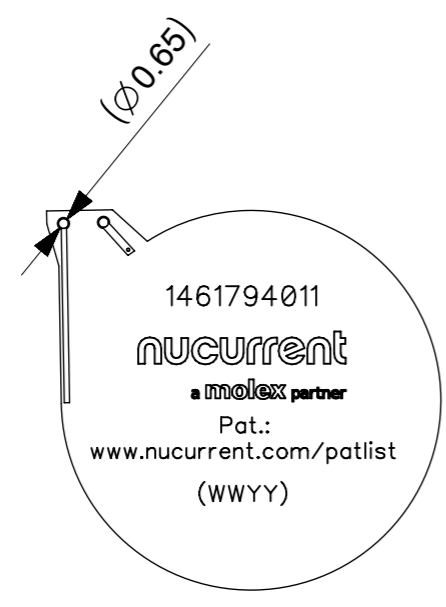
Tel: +86-755-8981 8866 Fax: +86-755-8427 6832

Email & Skype: info@chipsmall.com Web: www.chipsmall.com

Address: A1208, Overseas Decoration Building, #122 Zhenhua RD., Futian, Shenzhen, China



| MOLEX | | | | | CUSTOMER | | 3D REV | CHANGE INFORMATION | | |
|-------------|-----|---------|------------|------------|----------|--------|--------|--------------------|--|------------------|
| DRAWING NO. | REV | ECN NO. | DATA | P/N | P/N | 2D REV | | DRAWING LOCATION | CHANGE DESCRIPTION | AFFECTED DEPT |
| 1461794011 | A | 104512 | 2016/05/24 | 1461794011 | / | / | / | ALL | New Release | AQP/ME/RF/PE/POP |
| 1461794011 | B | 111410 | 2016/12/24 | 1461794011 | / | / | / | ALL | UPDATE THICKNESS CONTROL AND TOLERANCE | AQP/ME/RF/PE/POP |

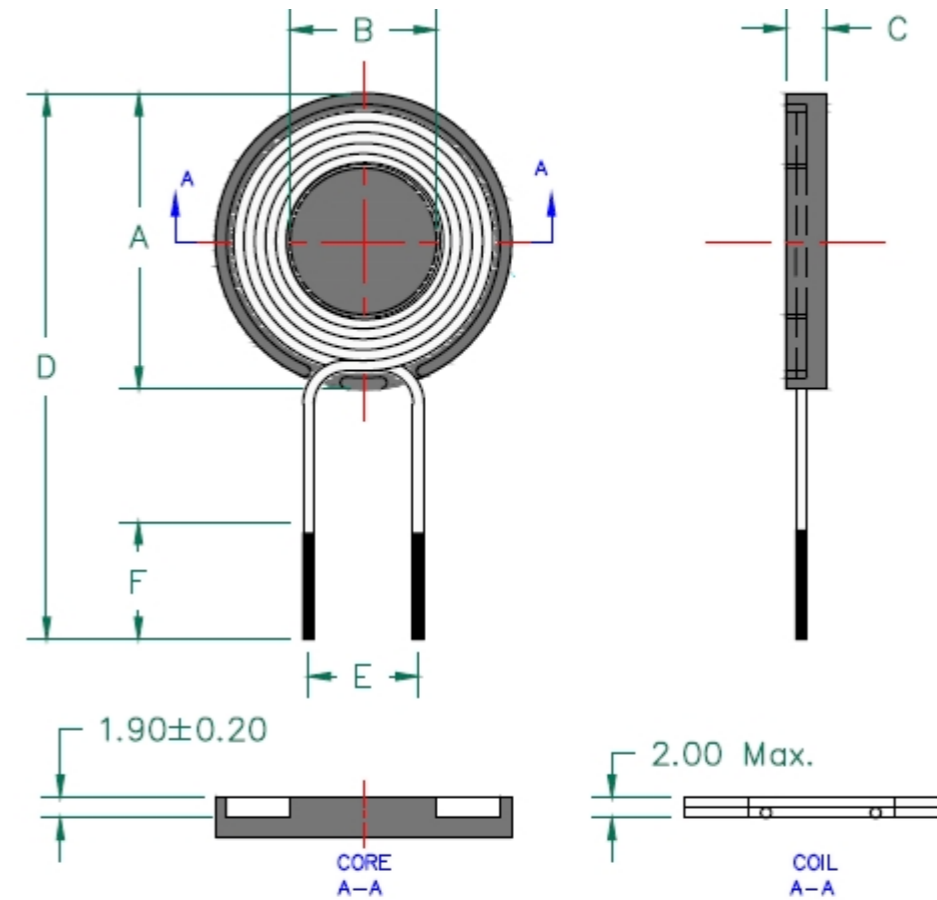


| | | | | | | | | | | | |
|----------------------------|---|-----------------|--|------------|--|------------|--|---------------------------------------|---|-----------------|------------------------|
| QUALITY SYMBOLS | THIS DRAWING CONTAINS INFORMATION THAT IS PROPRIETARY TO MOLEX ELECTRONIC TECHNOLOGIES, LLC AND SHOULD NOT BE USED WITHOUT WRITTEN PERMISSION | | | | | | | | | | |
| | EC NO: 111410 DRWN: TZHOU07 CHK'D: YXGAO04 REV APPR: CYU08 | 2016/08/02 | | 2017/01/09 | | 2017/01/11 | | GENERAL TOLERANCES (UNLESS SPECIFIED) | | DIMENSION UNITS | SCALE |
| | | ANGULAR TOL ± ° | | MM | | 2:1 | | | | DRWN BY | DATE |
| | | 4 PLACES ± | | TZHOU07 | | 2016/07/18 | | | | CHK'D BY | DATE |
| | | 3 PLACES ± | | YXGAO04 | | 2016/07/27 | | | | APPR BY | DATE |
| | | 2 PLACES ± | | CYU08 | | 2016/07/28 | | | | DRAWING SIZE | THIRD ANGLE PROJECTION |
| | 1 PLACE ± | | A3 | | | | | | molex® WIRELESS CHARGING COIL LOW FREQUENCY TRANSMIT & RECEIVE | | |
| | 0 PLACES ± | | DRAFT WHERE APPLICABLE MUST REMAIN WITHIN DIMENSIONS | | | | | | PRODUCT CUSTOMER DRAWING SERIES: 146179 MATERIAL NUMBER: CUSTOMER: | | |
| | | | | | | | | | DOCUMENT NUMBER: 1461794011 DOC TYPE: PSD DOC PART: 000 SHEET NUMBER: 1 OF 2 | | |
| | | | | | | | | | | | |

| | | | | |
|----------------|----|--------------|------------|----------|
| RELEASE STATUS | P1 | RELEASE DATE | 28.07.2016 | 01:39:29 |
|----------------|----|--------------|------------|----------|

PHYSICAL DIMENSIONS:

| | | | |
|---|-------|---|------|
| A | 27.00 | ± | 0.40 |
| B | 13.30 | ± | 0.20 |
| C | 3.70 | ± | 0.30 |
| D | 49.36 | ± | 1.50 |
| E | 7.00 | | TYP. |
| F | 10.00 | ± | 2.00 |



ELECTRICAL SPECIFICATION @ 25°C

| | Min | Nom | Max |
|----------------------------------|------|------|------|
| INDUCTANCE (uH) L @ 200KHz/1V | 5.20 | 5.50 | 5.80 |
| DCR (mΩ) | | 46 | 48.3 |

NOTES: UNLESS OTHERWISE SPECIFIED

1. OPERATING TEMPERATURE RANGE: -40°C TO +85°C (INCLUDING SELF-HEATING) .
2. STORAGE TEMPERATURE RANGE (PACKAGING CONDITIONS): -10°C TO +40°C AND RH 70% (MAX.)
3. UNLESS OTHERWISE SPECIFIED, THE STANDARD ATMOSPHERIC CONDITIONS FOR MEASUREMENT/TEST AS:
A. AMBIENT TEMPERATURE: 20±15°C.
B. RELATIVE HUMIDITY: 65%±20%.
4. FERRITE MATERIAL: LAIRD 33MAT.
5. COIL SPEC : 150 STRANDS OF AWG44, 155°C, 2 LAYER, 5Ts/LAYER.

| | | | | | | | | | |
|--|---|---|---|------------------------|--|----------------------|----------------------|-----------------------------|--|
| QUALITY SYMBOLS □ = 0 ▽ = 0 ▽ = 0 ▽ = 0 ▽ = 0 ▽ = 0 ▽ = 0 ▽ = 0 ▽ = 0 ▽ = 0 | THIS DRAWING CONTAINS INFORMATION THAT IS PROPRIETARY TO MOLEX ELECTRONIC TECHNOLOGIES, LLC AND SHOULD NOT BE USED WITHOUT WRITTEN PERMISSION | | | | DIMENSION UNITS: MM SCALE: 1:1 | | | | |
| | GENERAL TOLERANCES (UNLESS SPECIFIED) ANGULAR TOL ± ° | | DRWN BY: TZHOU07 DATE: 2016/07/18 | | WIRELESS CHARGING COIL LOW FREQUENCY TRANSMIT & RECEIVE | | | | |
| | 4 PLACES ± 3 PLACES ± 2 PLACES ± 1 PLACE ± 0 PLACES ± | | CHK'D BY: YXGAO04 DATE: 2016/07/27 | | | | | PRODUCT CUSTOMER DRAWING | |
| | DRAFT WHERE APPLICABLE MUST REMAIN WITHIN DIMENSIONS | | APPR BY: CYU08 DATE: 2016/07/28 | | SERIES: 146179 | MATERIAL NUMBER: | | | |
| EC NO: 111410 DRWN: TZHOU07 CHK'D: YXGAO04 REV APPR: CYU08 | 2016/08/02 2017/01/09 2017/01/11 | B | A3 | THIRD ANGLE PROJECTION | DOCUMENT NUMBER: 1461794011 | DOC TYPE: PSD | DOC PART: 000 | SHEET NUMBER: 2 OF 2 | |