



Chipsmall Limited consists of a professional team with an average of over 10 year of expertise in the distribution of electronic components. Based in Hongkong, we have already established firm and mutual-benefit business relationships with customers from,Europe,America and south Asia,supplying obsolete and hard-to-find components to meet their specific needs.

With the principle of "Quality Parts,Customers Priority,Honest Operation,and Considerate Service",our business mainly focus on the distribution of electronic components. Line cards we deal with include Microchip,ALPS,ROHM,Xilinx,Pulse,ON,Everlight and Freescale. Main products comprise IC,Modules,Potentiometer,IC Socket,Relay,Connector.Our parts cover such applications as commercial,industrial, and automotives areas.

We are looking forward to setting up business relationship with you and hope to provide you with the best service and solution. Let us make a better world for our industry!



Contact us

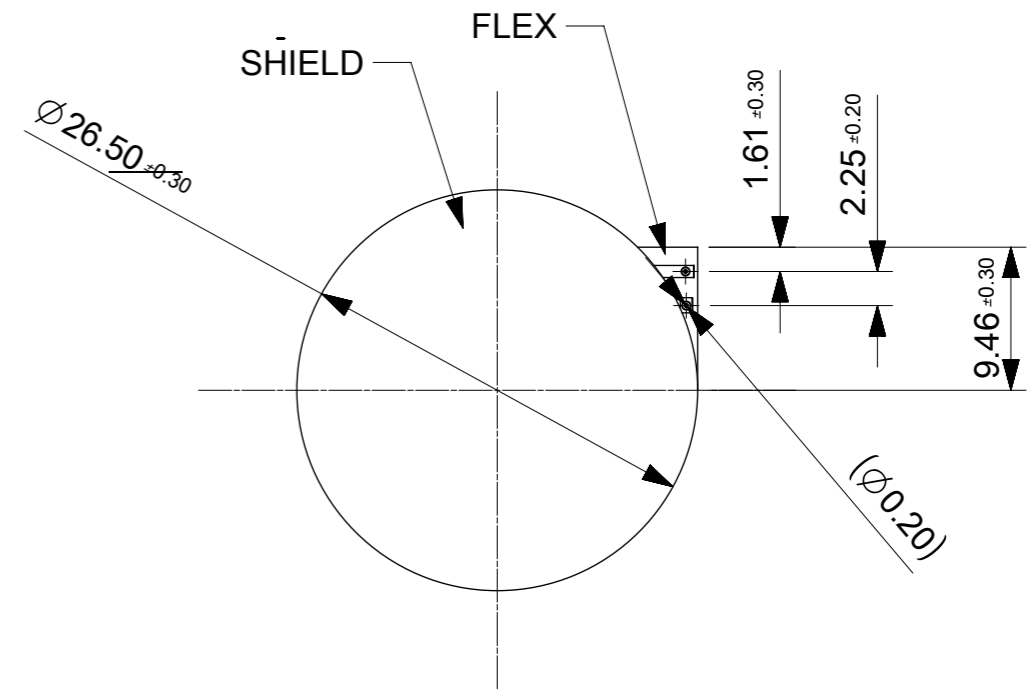
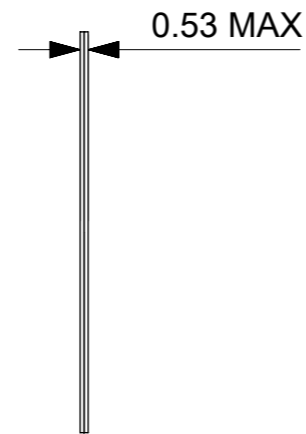
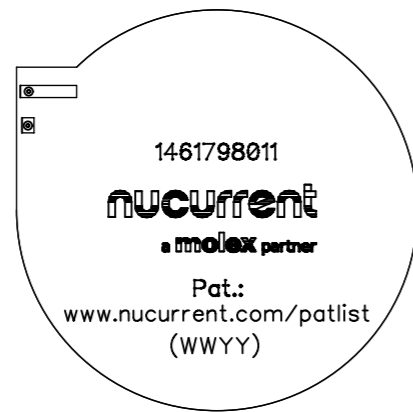
Tel: +86-755-8981 8866 Fax: +86-755-8427 6832

Email & Skype: info@chipsmall.com Web: www.chipsmall.com

Address: A1208, Overseas Decoration Building, #122 Zhenhua RD., Futian, Shenzhen, China



MOLEX				CUSTOMER			DRAWING LOCATION	CHANGE DESCRIPTION	AFFECTED DEPT	
DRAWING NO.	REV	ECN NO.	DATA	P/N	P/N	3D REV				2D REV
1461798011	A	104512	2016/05/20	1461798011		-	-	ALL	NEW RELEASE	AQP/ME/RF/PE/POP
1461798011	B	111410	2016/01/04	1461798011		-	-	ALL	UPDATE THICKNESS CONTROL AND TOLERANCE	AQP/ME/RF/PE/POP



QUALITY SYMBOLS 	THIS DRAWING CONTAINS INFORMATION THAT IS PROPRIETARY TO MOLEX ELECTRONIC TECHNOLOGIES, LLC AND SHOULD NOT BE USED WITHOUT WRITTEN PERMISSION									
	EC NO: 111410 DRWN: TZHOU07 CHK'D: YXGAO04 APPR: CYU08	2016/12/24 2017/01/09 2017/01/11	GENERAL TOLERANCES (UNLESS SPECIFIED)		DIMENSION UNITS	SCALE				
			ANGULAR TOL ± °		MM	2:1				
			4 PLACES ±		DRWN BY	DATE	WIRELESS CHARGING COIL HIGH FREQUENCY RECEIVE			
			3 PLACES ±		TZHOU07	2016/07/18				
			2 PLACES ±		CHK'D BY	DATE	PRODUCT CUSTOMER DRAWING			
	1 PLACE ±		YXGAO04	2016/07/27						
	0 PLACES ±		APPR BY	DATE	SERIES	MATERIAL NUMBER	CUSTOMER			
	DRAFT WHERE APPLICABLE MUST REMAIN WITHIN DIMENSIONS		DRAWING SIZE	THIRD ANGLE PROJECTION	146179					
			A3		DOCUMENT NUMBER	DOC TYPE	DOC PART	SHEET NUMBER		
				1461798011	PSD	000	1 OF 1			

RELEASE STATUS	P1	RELEASE DATE	28.07.2016	01:39:33
----------------	----	--------------	------------	----------