



Chipsmall Limited consists of a professional team with an average of over 10 year of expertise in the distribution of electronic components. Based in Hongkong, we have already established firm and mutual-benefit business relationships with customers from,Europe,America and south Asia,supplying obsolete and hard-to-find components to meet their specific needs.

With the principle of “Quality Parts,Customers Priority,Honest Operation,and Considerate Service”,our business mainly focus on the distribution of electronic components. Line cards we deal with include Microchip,ALPS,ROHM,Xilinx,Pulse,ON,Everlight and Freescale. Main products comprise IC,Modules,Potentiometer,IC Socket,Relay,Connector.Our parts cover such applications as commercial,industrial, and automotives areas.

We are looking forward to setting up business relationship with you and hope to provide you with the best service and solution. Let us make a better world for our industry!



Contact us

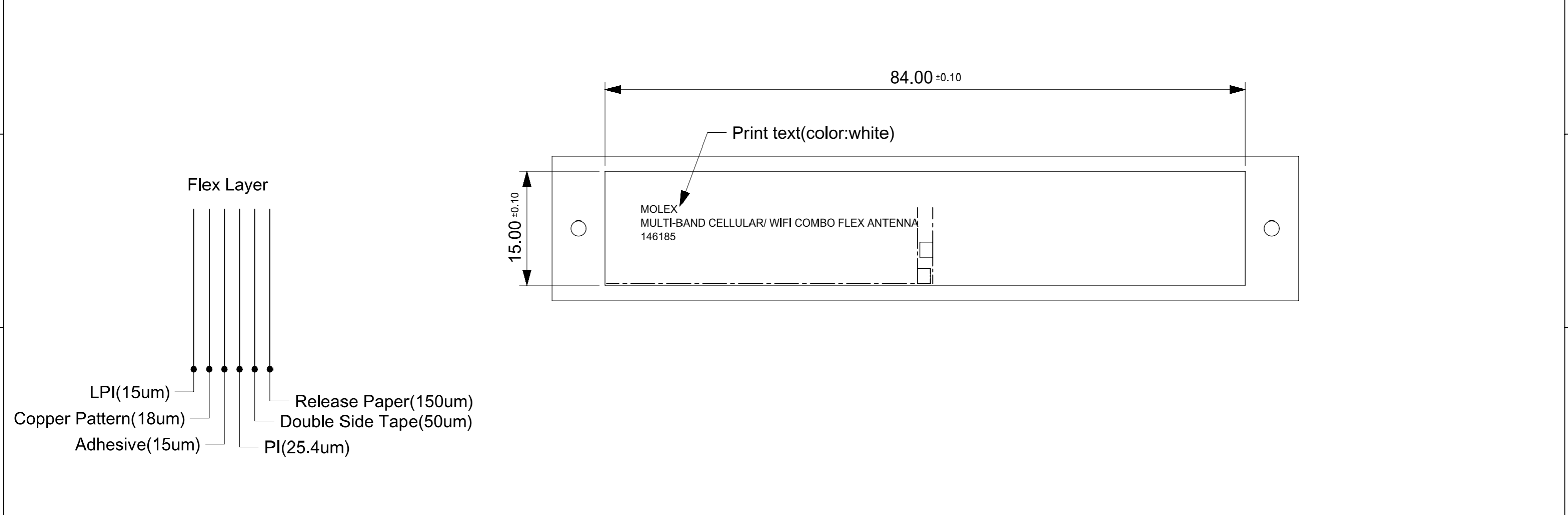
Tel: +86-755-8981 8866 Fax: +86-755-8427 6832

Email & Skype: info@chipsmall.com Web: www.chipsmall.com

Address: A1208, Overseas Decoration Building, #122 Zhenhua RD., Futian, Shenzhen, China



MOLEX				CUSTOMER				DRAWING LOCATION	CHANGE DESCRIPTION				AFFECTED DEPT
DRAWING NO.	REV	ECN NO.	DATA	P/N	P/N	3D REV	2D REV	ALL	NEW RELEASE				AQP/ME/RF/PE/POP
SD-146185-050	A	ABU2016-0023	2016/01/26	1461850XX0	-	-	-						



NOTE:

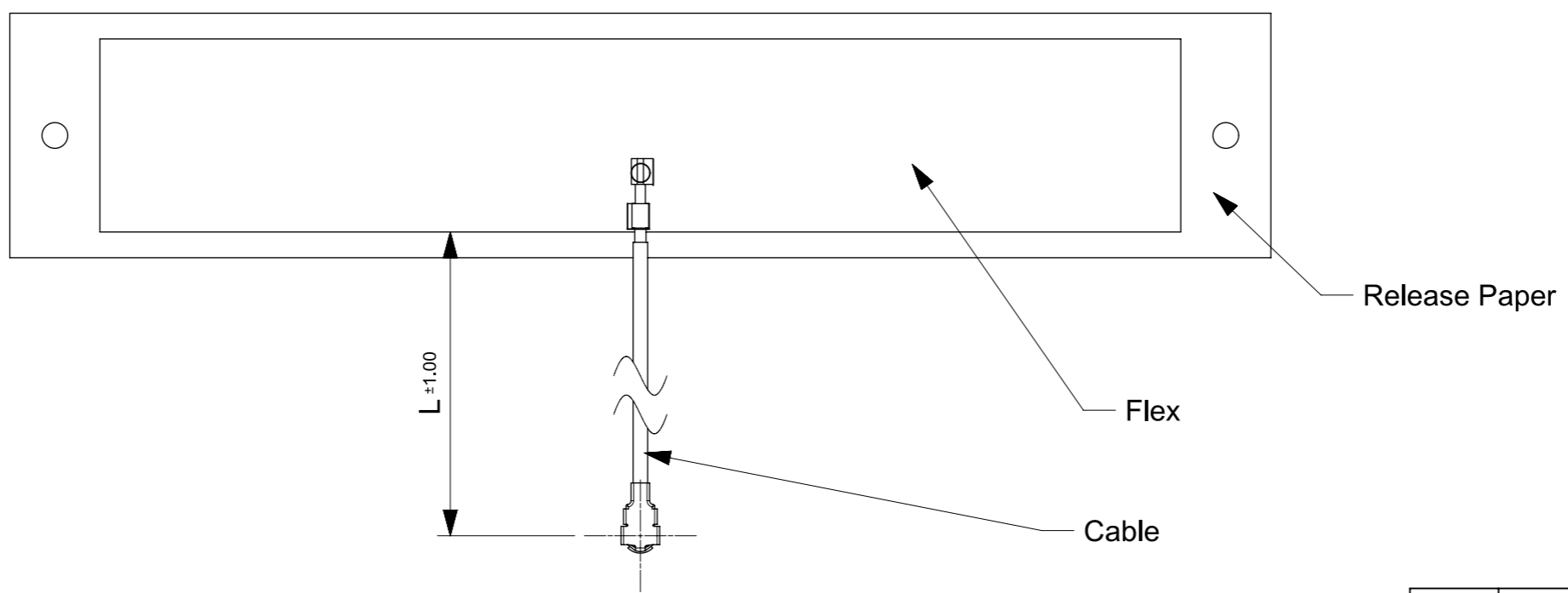
- Ni Finish, Selective Gold Pads:
Ni: 1-6 um, Au: min. 0.025 um thickness
- LPI color: Black
- For the general tolerance, please refer to the General Tolerance Table A.
- For the nominal, unless defined in the drawing, please refer to the Gerber file or 3D document
- For the flex stack up tolerance, please refer to the stackup table for nominal

Flex Stack-up Thickness	
	Nom. Thickness (um)
LPI Soldermask	15
Finished Cu	18
Adhesiveless Flex Substrate	15
PI	25.4
3M9077	50
Total	123.4 +/-30

ITEM	MATERIAL NUMBER	CABLE LENGTH"L"
1	1461850050	Flex +50mm Cable
2	1461850100	Flex +100mm Cable
3	1461850150	Flex +150mm Cable
4	1461850200	Flex +200mm Cable
5	1461850250	Flex +250mm Cable
6	1461850300	Flex +300mm Cable

GENERAL TOLERANCE TABEL A	
Tolerance Description	Tolerance(mm)
Copper edge to Copper edge	+/-0.05
Copper edge to Polymer edge	+/-0.15
Die cut outline	+/-0.1
Die Cut Hole diameter	+/-0.1
Die cut hole to Die cut outline	+/-0.15
Die cut outline to solder mask opening edge	+/-0.25
Solder mask opening	+/-0.1

QUALITY SYMBOLS	THIS DRAWING CONTAINS INFORMATION THAT IS PROPRIETARY TO MOLEX ELECTRONIC TECHNOLOGIES, LLC AND SHOULD NOT BE USED WITHOUT WRITTEN PERMISSION			
▽A = 0	EC DESCRIPTION 2016/02/04 2016/02/04 2016/02/04 EC NO: ABU2016-0023 DRWN: Tao Zhou CHK'D: Cooper Zhou APPR: Chris Yu	GENERAL TOLERANCES (UNLESS SPECIFIED)		DIMENSION UNITS
▽E = 0		ANGULAR TOL ± 0.5 °		SCALE
▽F = 0		4 PLACES ± 0.0000	mm	2:1
▽ = 0		3 PLACES ± 0.0000	DRWN BY	DATE
▽C = 0		2 PLACES ± 0.000	Tao Zhou	2016/01/26
▽ = 0		1 PLACE ± 0.00	CHK'D BY	DATE
▽ = 0		0 PLACES ± 0.00	Cooper Zhou	2016/01/26
▽ = 0		DRAFT WHERE APPLICABLE MUST REMAIN WITHIN DIMENSIONS		APPR BY
▽ = 0				Chris Yu
▽ = 0				DATE
		DRAWING SIZE	THIRD ANGLE PROJECTION	
		A3		
		PRODUCT DESIGN DRAWING		
		SERIES	MATERIAL NUMBER	
		146185	SEE TABLE	
		CUSTOMER		
		GENERAL MARKET		
		DOCUMENT NUMBER	DOC TYPE	
		SD-146185-050	PDD	
		DOC PART	SHEET NUMBER	
		000	1 OF 2	



ITEM	CABLE TYPE	CABLE LENGTH"L"
1	CABLE 50MM	44.3MM
2	CABLE 100MM	94.3MM
3	CABLE 150MM	144.3MM
4	CABLE 200MM	194.3MM
5	CABLE 250MM	244.3MM
6	CABLE 300MM	294.3MM

NOTE:
 1.The dimension with tolerance in box should be controlled by flex supplier and tolerance of other dimension +/-0.2mm
 2. For pull test, can not lift up in the vertical direction
 3.After RF test, please use the cap to protect connector,
 4.For flex application spec,please refer to AS-146185-100
 5.For flex product spec,please refer to PS-146185-100

THIS DRAWING CONTAINS INFORMATION THAT IS PROPRIETARY TO MOLEX ELECTRONIC TECHNOLOGIES, LLC AND SHOULD NOT BE USED WITHOUT WRITTEN PERMISSION												
QUALITY SYMBOLS ▽A = 0 ▽E = 0 ▽F = 0 ▼ = 0 ▽C = 0 ⊗ = 0 ■ = 0 ▽ = 0		EC DESCRIPTION EC NO: ABU2016-0023 DRWN: Tao Zhou CHK'D: Cooper Zhou APPR: Chris Yu			GENERAL TOLERANCES (UNLESS SPECIFIED) ANGULAR TOL ± 0.5 ° 4 PLACES ± 0.0000 3 PLACES ± 0.0000 2 PLACES ± 0.000 1 PLACE ± 0.00 0 PLACES ± 0.00			DIMENSION UNITS: mm SCALE: 1:1				
EC NO: ABU2016-0023 DRWN: Tao Zhou CHK'D: Cooper Zhou APPR: Chris Yu		DRAFT WHERE APPLICABLE MUST REMAIN WITHIN DIMENSIONS			DRWN BY: Tao Zhou DATE: 2016/01/26		MULTI-BAND CELLULAR/ WIFI COMBO FLEX ANTENNA					
EC NO: ABU2016-0023 DRWN: Tao Zhou CHK'D: Cooper Zhou APPR: Chris Yu		DRAFT WHERE APPLICABLE MUST REMAIN WITHIN DIMENSIONS			CHK'D BY: Cooper Zhou DATE: 2016/01/26					PRODUCT DESIGN DRAWING		
EC NO: ABU2016-0023 DRWN: Tao Zhou CHK'D: Cooper Zhou APPR: Chris Yu		DRAFT WHERE APPLICABLE MUST REMAIN WITHIN DIMENSIONS			APPR BY: Chris Yu DATE: 2016/01/26		SERIES: 146185	MATERIAL NUMBER: SEE TABLE		CUSTOMER: GENERAL MARKET		
EC NO: ABU2016-0023 DRWN: Tao Zhou CHK'D: Cooper Zhou APPR: Chris Yu		DRAFT WHERE APPLICABLE MUST REMAIN WITHIN DIMENSIONS			DRAWING SIZE: A3 THIRD ANGLE PROJECTION		DOCUMENT NUMBER: SD-146185-050		DOC TYPE: PDD	DOC PART: 000	SHEET NUMBER: 2 OF 2	

RELEASE STATUS	RELEASE DATE
----------------	--------------