



Chipsmall Limited consists of a professional team with an average of over 10 year of expertise in the distribution of electronic components. Based in Hongkong, we have already established firm and mutual-benefit business relationships with customers from,Europe,America and south Asia,supplying obsolete and hard-to-find components to meet their specific needs.

With the principle of “Quality Parts,Customers Priority,Honest Operation,and Considerate Service”,our business mainly focus on the distribution of electronic components. Line cards we deal with include Microchip,ALPS,ROHM,Xilinx,Pulse,ON,Everlight and Freescale. Main products comprise IC,Modules,Potentiometer,IC Socket,Relay,Connector.Our parts cover such applications as commercial,industrial, and automotives areas.

We are looking forward to setting up business relationship with you and hope to provide you with the best service and solution. Let us make a better world for our industry!



Contact us

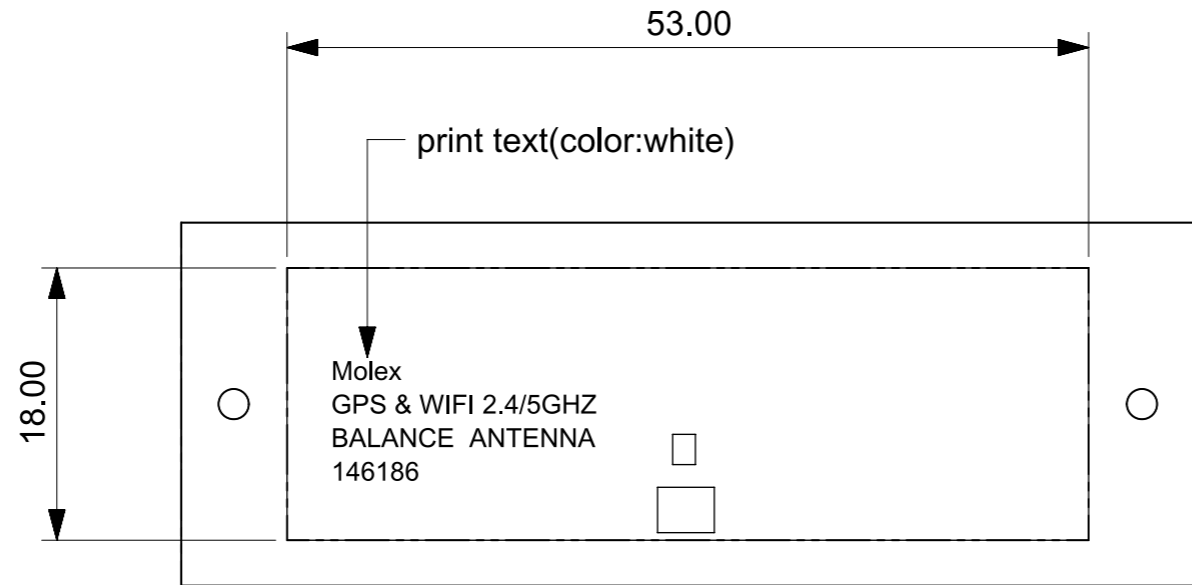
Tel: +86-755-8981 8866 Fax: +86-755-8427 6832

Email & Skype: info@chipsmall.com Web: www.chipsmall.com

Address: A1208, Overseas Decoration Building, #122 Zhenhua RD., Futian, Shenzhen, China



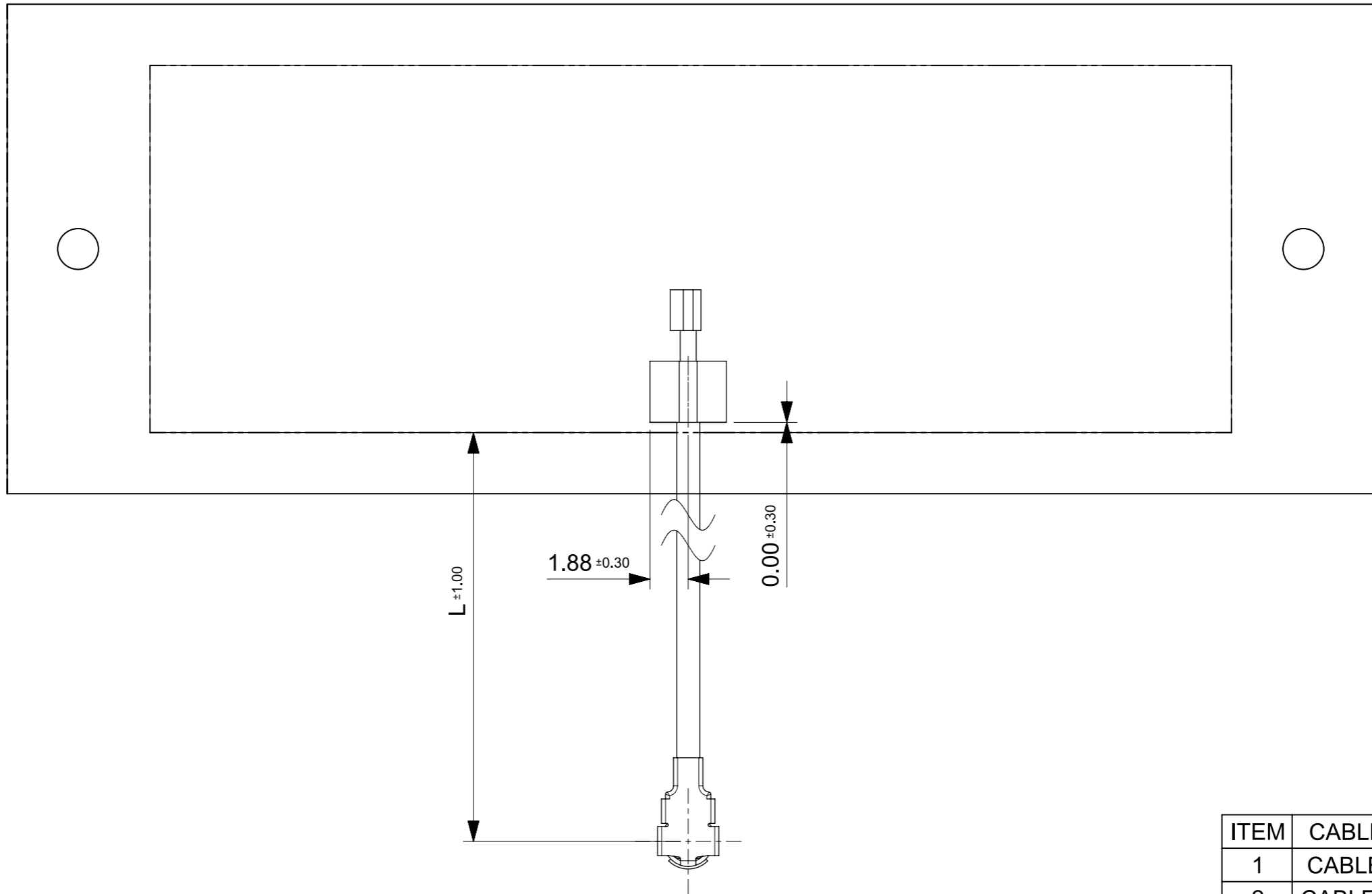
MOLEX				CUSTOMER				DRAWING LOCATION	CHANGE DESCRIPTION	AFFECTED DEPT
DRAWING NO.	REV	ECN NO.	DATA	P/N	P/N	3D REV	2D REV			
SD-146186-050	A	ABU2015-0083	2015/06/27	1461860050				NEW RELEASE		



ITEM	ASSY P/N	DESCRIPTION
1	1461860050	Flex +50mm Cable
2	1461860100	Flex +100mm Cable
3	1461860150	Flex +150mm Cable
4	1461860200	Flex +200mm Cable
5	1461860250	Flex +250mm Cable
6	1461860300	Flex +300mm Cable

NOTE:
 1.Material: Flex 83mm * 18mm
 PSA: 3M 9077, PI: 12.5um, Base Copper: 18~20um
 2.Tolerance on all copper artwork is +/-0.05mm.
 3.Tolerance on all die cutlines is +/-0.1mm.
 4.Tolerance between artwork and die cutline is +/-0.25mm.Others: +/-0.2mm
 5.Ni&Au plating in the solder pad area:
 Ni: 1-3 um, Au: min. 0.025 um thickness
 6.Solder Mask: Black.

THIS DRAWING CONTAINS INFORMATION THAT IS PROPRIETARY TO MOLEX INCORPORATED AND SHOULD NOT BE USED WITHOUT WRITTEN PERMISSION									
EC DESCRIPTION EC NO: ABU2015-0083 DRWN: ZLRAO CHK'D: Chris Yu APPR: Welson Tan	06/27/15 06/27/15 06/27/15	QUALITY SYMBOLS	GENERAL TOLERANCES (UNLESS SPECIFIED)	DIMENSION UNITS	SCALE	molex			
		▽ = 0	ANGULAR TOL ± 1/2 °	mm	5:1				
		▽ = 0	4 PLACES ± 0.00000	DRWN BY	DATE	GPS & WIFI 2.4/5GHZ BALANCE ANTENNA_ASSY			
		▽ = 0	3 PLACES ± 0.0000	ZLRAO	2015/06/27				
			2 PLACES ± 0.000	CHK'D BY	DATE	PRODUCT DESIGN DRAWING			
			1 PLACE ± 0.00	Chris Yu	2015/06/27				
	0 PLACES ± 0.00	APPR BY	DATE	SERIES MATERIAL NUMBER CUSTOMER 146186 See Table GENERAL MARKET					
		Welson Tan	2015/06/27						
		DRAFT WHERE APPLICABLE MUST REMAIN WITHIN DIMENSIONS	DRAWING SIZE	THIRD ANGLE PROJECTION	DOCUMENT NUMBER DOC TYPE DOC PART SHEET NUMBER SD-146186-050 XXX XXX 1 OF 2				
A	REV		A3						



ITEM	CABLE TYPE	CABLE LENGTH "L"
1	CABLE 50MM	43MM
2	CABLE 100MM	93MM
3	CABLE 150MM	143MM
4	CABLE 200MM	193MM
5	CABLE 250MM	243MM
6	CABLE 300MM	293MM

NOTE:
 1. The dimension with tolerance in box should be controlled by flex supplier and tolerance of other dimension $\pm 0.2\text{mm}$
 2. The cable line can not be rotated with the weld point for more than 60 degrees.
 3. For pull test, can not lift up in the vertical direction
 4. After RF test, please use the cap to protection connector, the cap material: PVC, type: FP EC3.0-10(0.9)

THIS DRAWING CONTAINS INFORMATION THAT IS PROPRIETARY TO MOLEX INCORPORATED AND SHOULD NOT BE USED WITHOUT WRITTEN PERMISSION

EC DESCRIPTION EC NO: ABU2015-0083 DRWN: ZLRAO CHK'D: Chris Yu APPR: Welson Tan	06/27/15	06/27/15	06/27/15	QUALITY SYMBOLS	GENERAL TOLERANCES (UNLESS SPECIFIED)	DIMENSION UNITS	SCALE												
				▽ = 0	ANGULAR TOL $\pm 1/2^\circ$	mm	4:1												
				▽ = 0	4 PLACES ± 0.00000	DRWN BY	DATE	GPS & WIFI 2.4/5GHZ BALANCE ANTENNA_ASSY											
				▽ = 0	3 PLACES ± 0.0000	ZLRAO	2015/06/27												
				▽ = 0	2 PLACES ± 0.000	CHK'D BY	DATE	PRODUCT DESIGN DRAWING											
				1 PLACE ± 0.00	Chris Yu	2015/06/27													
				0 PLACES ± 0.00	APPR BY	DATE	<table border="1" style="width: 100%; border-collapse: collapse;"> <tr> <td style="width: 25%;">SERIES</td> <td style="width: 40%;">MATERIAL NUMBER</td> <td style="width: 35%;">CUSTOMER</td> </tr> <tr> <td>146186</td> <td>See Table</td> <td>GENERAL MARKET</td> </tr> </table>				SERIES	MATERIAL NUMBER	CUSTOMER	146186	See Table	GENERAL MARKET			
SERIES	MATERIAL NUMBER	CUSTOMER																	
146186	See Table	GENERAL MARKET																	
A	REV				DRAFT WHERE APPLICABLE MUST REMAIN WITHIN DIMENSIONS	DRAWING SIZE	THIRD ANGLE PROJECTION	<table border="1" style="width: 100%; border-collapse: collapse;"> <tr> <td style="width: 30%;">DOCUMENT NUMBER</td> <td style="width: 10%;">DOC TYPE</td> <td style="width: 10%;">DOC PART</td> <td style="width: 50%;">SHEET NUMBER</td> </tr> <tr> <td>SD-146186-050</td> <td>XXX</td> <td>XXX</td> <td>2 OF 2</td> </tr> </table>				DOCUMENT NUMBER	DOC TYPE	DOC PART	SHEET NUMBER	SD-146186-050	XXX	XXX	2 OF 2
DOCUMENT NUMBER	DOC TYPE	DOC PART	SHEET NUMBER																
SD-146186-050	XXX	XXX	2 OF 2																