



Chipsmall Limited consists of a professional team with an average of over 10 year of expertise in the distribution of electronic components. Based in Hongkong, we have already established firm and mutual-benefit business relationships with customers from,Europe,America and south Asia,supplying obsolete and hard-to-find components to meet their specific needs.

With the principle of "Quality Parts,Customers Priority,Honest Operation,and Considerate Service",our business mainly focus on the distribution of electronic components. Line cards we deal with include Microchip,ALPS,ROHM,Xilinx,Pulse,ON,Everlight and Freescale. Main products comprise IC,Modules,Potentiometer,IC Socket,Relay,Connector.Our parts cover such applications as commercial,industrial, and automotives areas.

We are looking forward to setting up business relationship with you and hope to provide you with the best service and solution. Let us make a better world for our industry!



Contact us

Tel: +86-755-8981 8866 Fax: +86-755-8427 6832

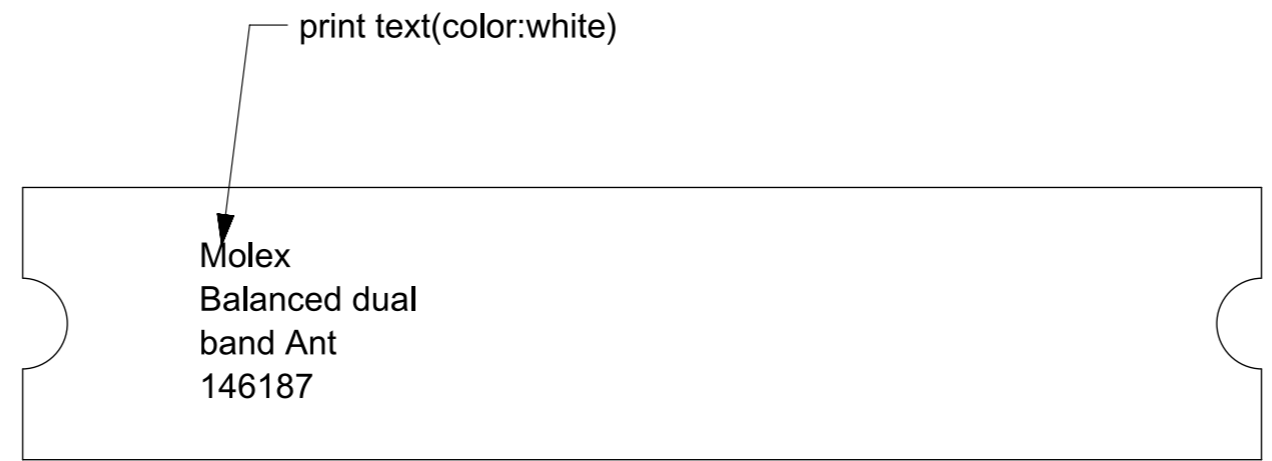
Email & Skype: info@chipsmall.com Web: www.chipsmall.com

Address: A1208, Overseas Decoration Building, #122 Zhenhua RD., Futian, Shenzhen, China



9 8 7 6 5 4 3 2 1

MOLEX				CUSTOMER				DRAWING LOCATION	CHANGE DESCRIPTION	AFFECTED DEPT
DRAWING NO.	REV	ECN NO.	DATA	P/N	P/N	3D REV	2D REV			
SD-146187-050	A	ABU2015-0084	2015/06/27	1461870050				NEW RELEASE		

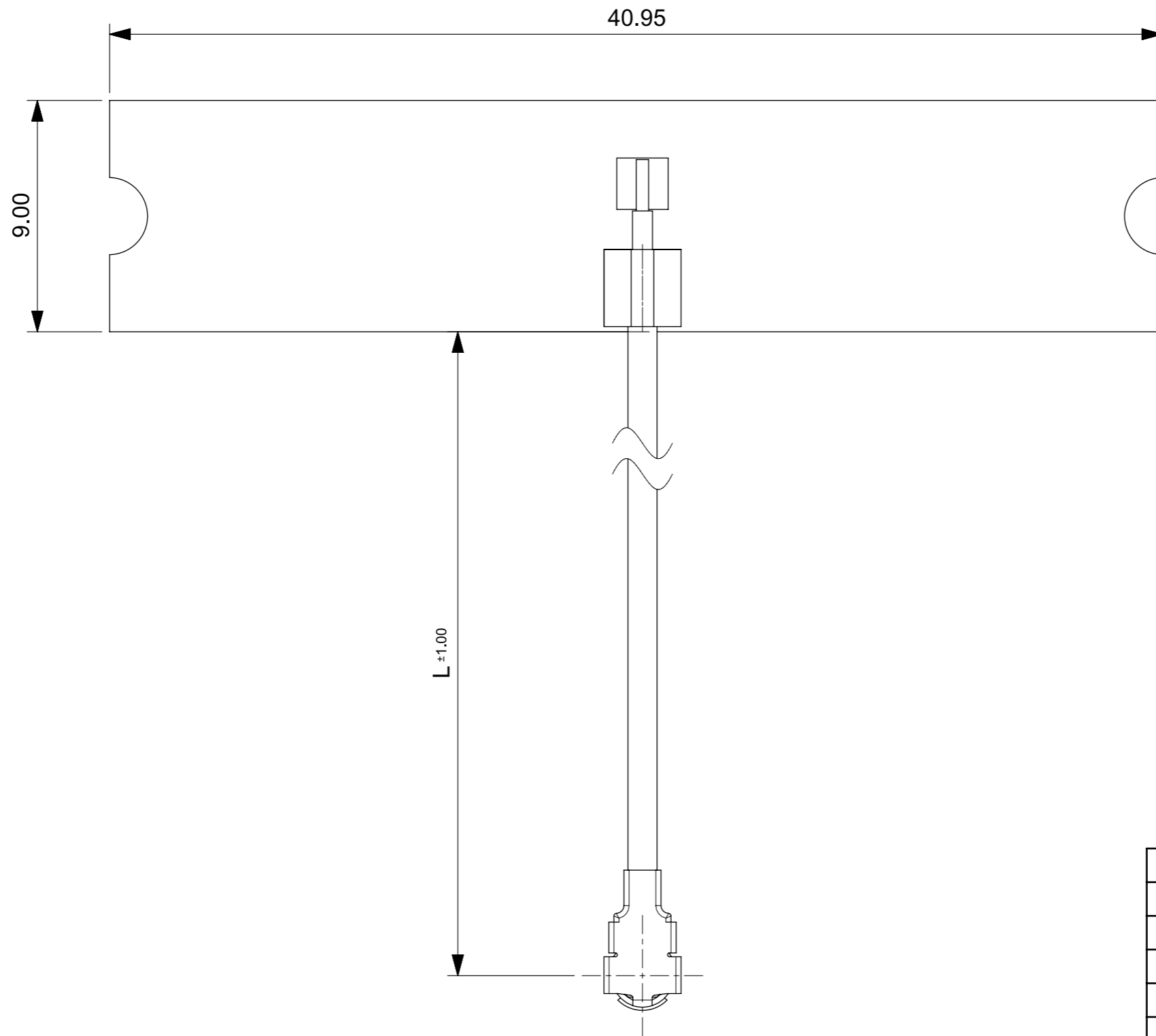


ITEM	ASSY P/N	DESCRIPTION
1	1461870050	Flex +50mm Cable
2	1461870100	Flex +100mm Cable
3	1461870150	Flex +150mm Cable
4	1461870200	Flex +200mm Cable
5	1461870250	Flex +250mm Cable
6	1461870300	Flex +300mm Cable

NOTE:
 1.Material: PCB 40.95mm * 9mm,T0.8MM
 Base Copper: 18~20um
 2.Tolerance on all copper artwork is +/-0.05MM.
 3.Tolerance on all die cutline is +/-0.1MM.
 4.Tolerance between artwork and die cutline is +/-0.25MM.Others: +/-0.2mm
 5.Ni&Au plating in the solder pad area:
 Ni: 1-3 um, Au: min. 0.025 um thickness
 6.Solder Mask: Green.

THIS DRAWING CONTAINS INFORMATION THAT IS PROPRIETARY TO MOLEX INCORPORATED AND SHOULD NOT BE USED WITHOUT WRITTEN PERMISSION											
EC DESCRIPTION EC NO: ABU2015-0084 DRWN: ZLRAO CHK'D: Chris Yu APPR: Welson Tan	06/27/15 06/27/15 06/27/15	QUALITY SYMBOLS	GENERAL TOLERANCES (UNLESS SPECIFIED)	DIMENSION UNITS	SCALE						
		▽ = 0	ANGULAR TOL ± 1/2 °	mm	5:1						
		▽ = 0	4 PLACES ± 0.00000	DRWN BY	DATE						
		▽ = 0	3 PLACES ± 0.0000	ZLRAO	2015/06/27	PRODUCT DESIGN DRAWING					
		▽ = 0	2 PLACES ± 0.000	CHK'D BY	DATE	SERIES MATERIAL NUMBER CUSTOMER					
		▽ = 0	1 PLACE ± 0.00	Chris Yu	2015/06/27	146187 See Table GENERAL MARKET					
▽ = 0	0 PLACES ± 0.00	APPR BY	DATE	DOCUMENT NUMBER DOC TYPE DOC PART SHEET NUMBER							
A	REV	DRAFT WHERE APPLICABLE MUST REMAIN WITHIN DIMENSIONS		DRAWING SIZE	THIRD ANGLE PROJECTION	SD-146187-050 XXX XXX 1 OF 2					
				A3							

9 8 7 6 5 4 3 2 1



ITEM	CABLE TYPE	CABLE LENGTH "L"
1	CABLE 50MM	43.3MM
2	CABLE 100MM	93.3MM
3	CABLE 150MM	143.3MM
4	CABLE 200MM	193.3MM
5	CABLE 250MM	243.3MM
6	CABLE 300MM	293.3MM

NOTE:

- 1.The dimesndion with tolerance in box should be controled by flex supplier and tolerance of other dimension:±0.2MM.
- 2.The cable line can not be rotated with the weld point for more than 60 degrees.
3. For pull test, can not lift up in the vertical direction
- 4.After RF test, please use the cap to protection connector, the cap material:PVC,type:FP EC3.0-10(0.9)

THIS DRAWING CONTAINS INFORMATION THAT IS PROPRIETARY TO MOLEX INCORPORATED AND SHOULD NOT BE USED WITHOUT WRITTEN PERMISSION											
EC DESCRIPTION EC NO: ABU2015-0084 DRWN: ZLRAO CHK'D: Chris Yu APPR: Welson Tan	06/27/15 06/27/15 06/27/15	QUALITY SYMBOLS	GENERAL TOLERANCES (UNLESS SPECIFIED)	DIMENSION UNITS	SCALE	 Balanced dual band Antenna_ASSY					
		▽ = 0	ANGULAR TOL ± 1/2 °	mm	4:1						
		▽ = 0	4 PLACES ± 0.00000	DRWN BY	DATE						
		▽ = 0	3 PLACES ± 0.00000	ZLRAO	2015/06/27	PRODUCT DESIGN DRAWING					
		▽ = 0	2 PLACES ± 0.000	CHK'D BY	DATE						
		▽ = 0	1 PLACE ± 0.00	Chris Yu	2015/06/27						
0 PLACES ± 0.00	DRAFT WHERE APPLICABLE MUST REMAIN WITHIN DIMENSIONS	APPR BY	DATE	SERIES	MATERIAL NUMBER	CUSTOMER					
A	REV	Welson Tan	2015/06/27	146187	See Table	GENERAL MARKET					
				DRAWING SIZE	THIRD ANGLE PROJECTION	DOCUMENT NUMBER	DOC TYPE	DOC PART	SHEET NUMBER		
				A3		SD-146187-050	XXX	XXX	2 OF 2		