



Chipsmall Limited consists of a professional team with an average of over 10 year of expertise in the distribution of electronic components. Based in Hongkong, we have already established firm and mutual-benefit business relationships with customers from,Europe,America and south Asia,supplying obsolete and hard-to-find components to meet their specific needs.

With the principle of “Quality Parts,Customers Priority,Honest Operation,and Considerate Service”,our business mainly focus on the distribution of electronic components. Line cards we deal with include Microchip,ALPS,ROHM,Xilinx,Pulse,ON,Everlight and Freescale. Main products comprise IC,Modules,Potentiometer,IC Socket,Relay,Connector.Our parts cover such applications as commercial,industrial, and automotives areas.

We are looking forward to setting up business relationship with you and hope to provide you with the best service and solution. Let us make a better world for our industry!



Contact us

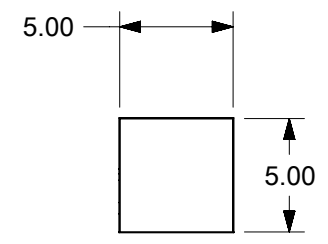
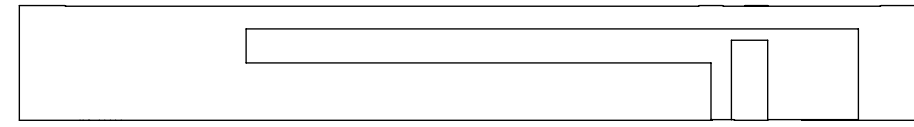
Tel: +86-755-8981 8866 Fax: +86-755-8427 6832

Email & Skype: info@chipsmall.com Web: www.chipsmall.com

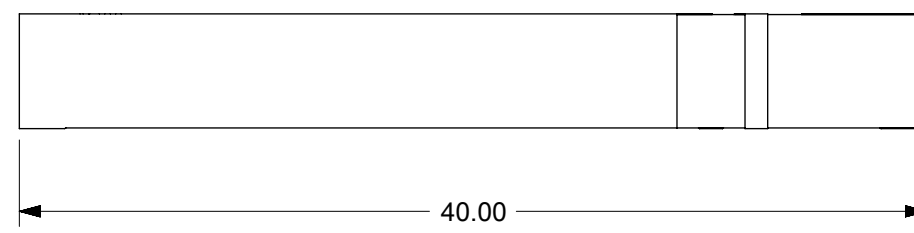
Address: A1208, Overseas Decoration Building, #122 Zhenhua RD., Futian, Shenzhen, China



MOLEX					CUSTOMER		3D REV	CHANGE INFORMATION		
DRAWING NO.	REV	ECN NO.	DATA	P/N	P/N	2D REV		DRAWING LOCATION	CHANGE DESCRIPTION	AFFECTED DEPT
1462000001	A	103559	2016/03/25	1462000001	/	/	/	ALL	New Release	AQP/ME/RF/PE/POP
1462000001	B	110593	2016/11/18	1462000001	/	/	/	ALL	UPDATE FOOTPRINT	AQP/ME/RF/PE/POP
1462000001	C	112502	2017/02/14	1462000001	/	/	/	ALL	MARK CLEARANCE AREA	AQP/ME/RF/PE/POP

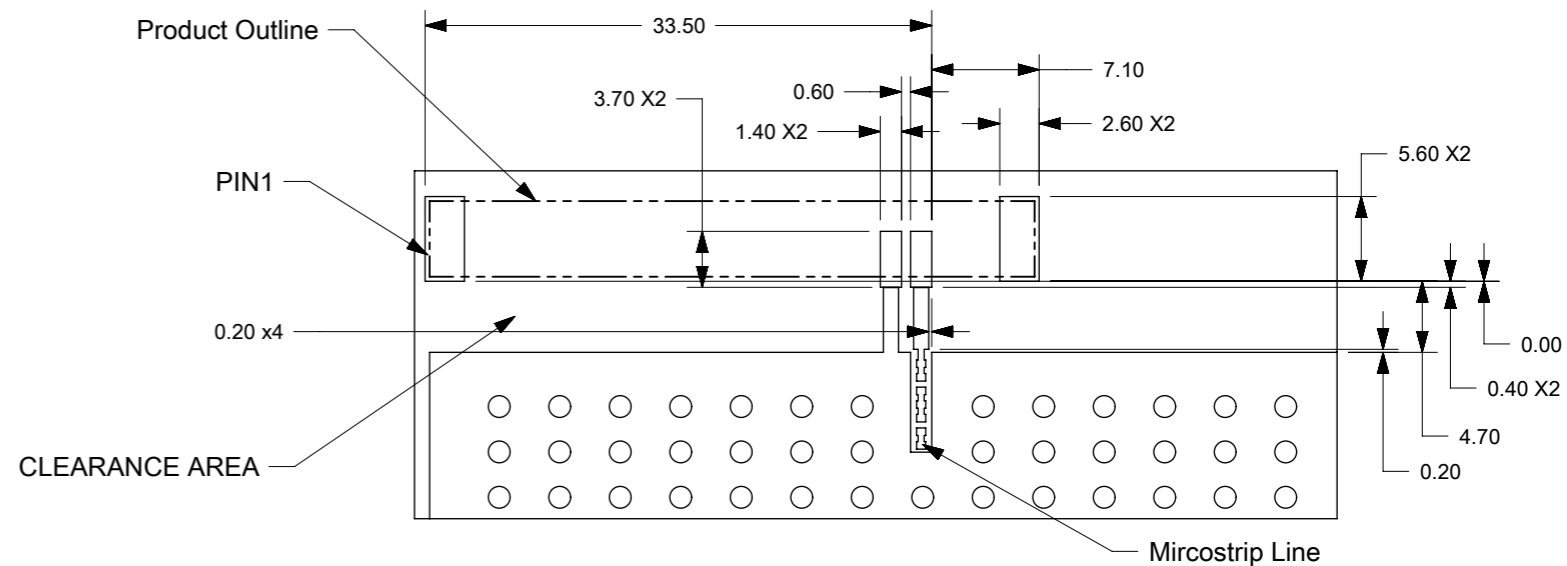
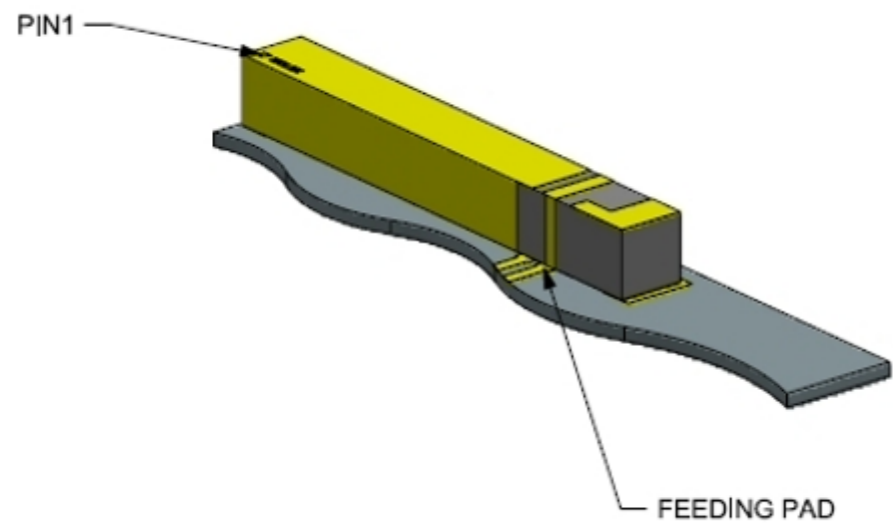


MARK FOR PIN1

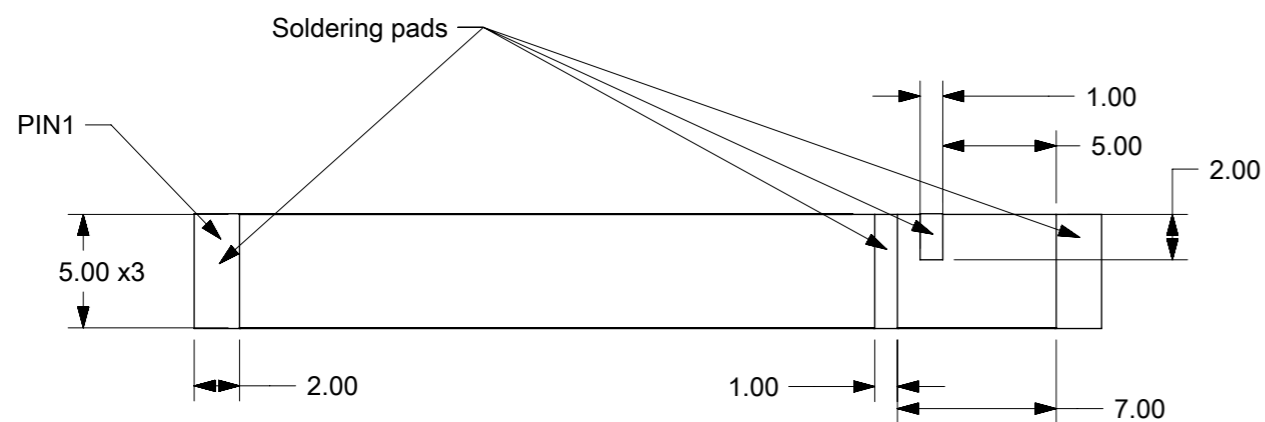


NOTES
 1.MATERIAL: CERAMIC
 2.GENERAL TOLERANCE: ±0.2mm
 3.AG THICKNESS: 8-10UM

THIS DRAWING CONTAINS INFORMATION THAT IS PROPRIETARY TO MOLEX ELECTRONIC TECHNOLOGIES, LLC AND SHOULD NOT BE USED WITHOUT WRITTEN PERMISSION											
QUALITY SYMBOLS ▽ = 0 ▽ = 0 ▽ = 0 ▼ = 0 ▽ = 0 ⊠ = 0 ■ = 0 ▽ = 0	EC NO: 112502 DRWN: TZHOU07 CHKD: ZLRAO APPR: CYU08	GENERAL TOLERANCES (UNLESS SPECIFIED)		DIMENSION UNITS	SCALE						
		ANGULAR TOL ± °		MM	3:1						
		4 PLACES ±	DRWN BY	DATE							
		3 PLACES ±	CHK'D BY	DATE	MOLEX FULL LTE ANTENNA						
		2 PLACES ±	YXGAO04	2016/05/24							
1 PLACE ±	APPR BY	DATE	PRODUCT CUSTOMER DRAWING								
0 PLACES ±	CYU08	2016/07/14									
DRAFT WHERE APPLICABLE MUST REMAIN WITHIN DIMENSIONS		DRAWING SIZE	THIRD ANGLE PROJECTION	SERIES: 146200 MATERIAL NUMBER: CUSTOMER:							
		B		DOCUMENT NUMBER: 1462000001		DOC TYPE: PSD	DOC PART: 000	SHEET NUMBER: 1 OF 2			



Recommended PCB Layout



Pads of product for Soldering

THIS DRAWING CONTAINS INFORMATION THAT IS PROPRIETARY TO MOLEX ELECTRONIC TECHNOLOGIES, LLC AND SHOULD NOT BE USED WITHOUT WRITTEN PERMISSION											
QUALITY SYMBOLS	EC NO: 112502 DRWN: TZHOU07 CHK'D: ZLRAO APPR: CYU08	GENERAL TOLERANCES (UNLESS SPECIFIED)		DIMENSION UNITS	SCALE						
		ANGULAR TOL ± °		MM	1:1						
▽A = 0	EC NO: 112502 DRWN: TZHOU07 CHK'D: ZLRAO APPR: CYU08	4 PLACES ±	°	DRWN BY	DATE	MOLEX FULL LTE ANTENNA					
▽E = 0		3 PLACES ±		TZHOU07	2016/03/25						
▽F = 0		2 PLACES ±		CHK'D BY	DATE						
▽ = 0		1 PLACE ±		YXGAO04	2016/05/24	PRODUCT CUSTOMER DRAWING					
▽C = 0		0 PLACES ±		APPR BY	DATE						
▽ = 0			DRAFT WHERE APPLICABLE MUST REMAIN WITHIN DIMENSIONS		DRAWING SIZE	THIRD ANGLE PROJECTION	SERIES	MATERIAL NUMBER	CUSTOMER		
▽ = 0				A3		146200					
						DOCUMENT NUMBER	DOC TYPE	DOC PART	SHEET NUMBER		
						1462000001	PSD	000	2 OF 2		