



Chipsmall Limited consists of a professional team with an average of over 10 year of expertise in the distribution of electronic components. Based in Hongkong, we have already established firm and mutual-benefit business relationships with customers from,Europe,America and south Asia,supplying obsolete and hard-to-find components to meet their specific needs.

With the principle of “Quality Parts,Customers Priority,Honest Operation,and Considerate Service”,our business mainly focus on the distribution of electronic components. Line cards we deal with include Microchip,ALPS,ROHM,Xilinx,Pulse,ON,Everlight and Freescale. Main products comprise IC,Modules,Potentiometer,IC Socket,Relay,Connector.Our parts cover such applications as commercial,industrial, and automotives areas.

We are looking forward to setting up business relationship with you and hope to provide you with the best service and solution. Let us make a better world for our industry!



Contact us

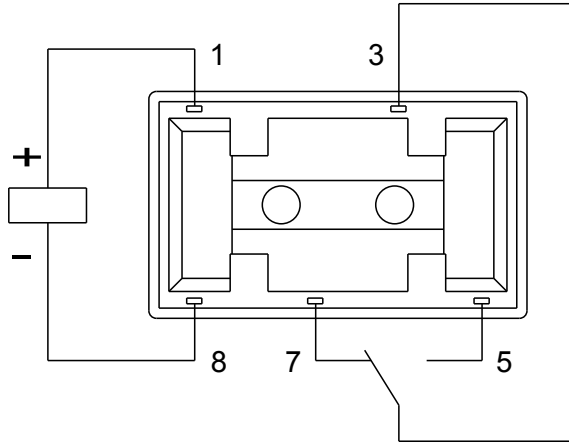
Tel: +86-755-8981 8866 Fax: +86-755-8427 6832

Email & Skype: info@chipsmall.com Web: www.chipsmall.com

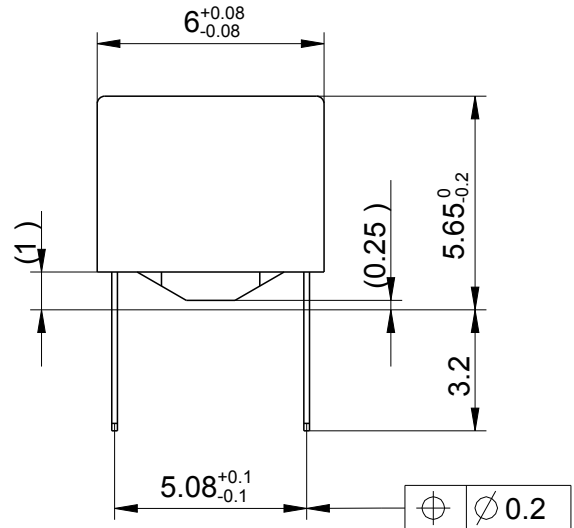
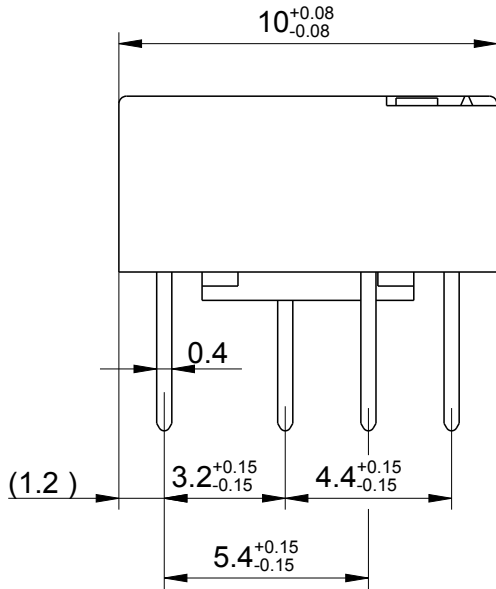
Address: A1208, Overseas Decoration Building, #122 Zhenhua RD., Futian, Shenzhen, China



LOC	DIST	REVISIONS				
P	LTR	DESCRIPTION	DATE	DWN	APVD	
HJ	-	A2	REVISED PER ECO-11-005150	25MAR2011	UKo	AK



Relay - bottom view



XX = Relay type
zz = nominal voltage
YYWW = Date code

RELEASED FOR PUBLICATION

THIS DRAWING IS UNPUBLISHED.

BY TYCO ELECTRONICS CORPORATION. ALL RIGHTS RESERVED.

DRAWING ALIAS

DIMENSIONS: mm	DWN UKo 9193	18Jun2008	MATERIAL	FINISH		
	CHK HD 9121	18Jun2008				
TOLERANCES UNLESS OTHERWISE SPECIFIED: DIN 7168-m	APVD HD 9121	18Jun2008			NAME	IMC-Relay THT (1 Form C) Dimensions
0 PLC ±-	PRODUCT SPEC	-	SIZE	CAGE CODE	DRAWING NO	RESTRICTED TO
1 PLC ±-	APPLICATION SPEC	-	A4	00779	C-1462042-1	-
2 PLC ±-	WEIGHT	-	CUSTOMER DRAWING		SCALE	SHEET
3 PLC ±-					5:1	1 OF 1
4 PLC ±-						REV
ANGLES ±-						A2