



Chipsmall Limited consists of a professional team with an average of over 10 year of expertise in the distribution of electronic components. Based in Hongkong, we have already established firm and mutual-benefit business relationships with customers from,Europe,America and south Asia,supplying obsolete and hard-to-find components to meet their specific needs.

With the principle of “Quality Parts,Customers Priority,Honest Operation,and Considerate Service”,our business mainly focus on the distribution of electronic components. Line cards we deal with include Microchip,ALPS,ROHM,Xilinx,Pulse,ON,Everlight and Freescale. Main products comprise IC,Modules,Potentiometer,IC Socket,Relay,Connector.Our parts cover such applications as commercial,industrial, and automotives areas.

We are looking forward to setting up business relationship with you and hope to provide you with the best service and solution. Let us make a better world for our industry!



## Contact us

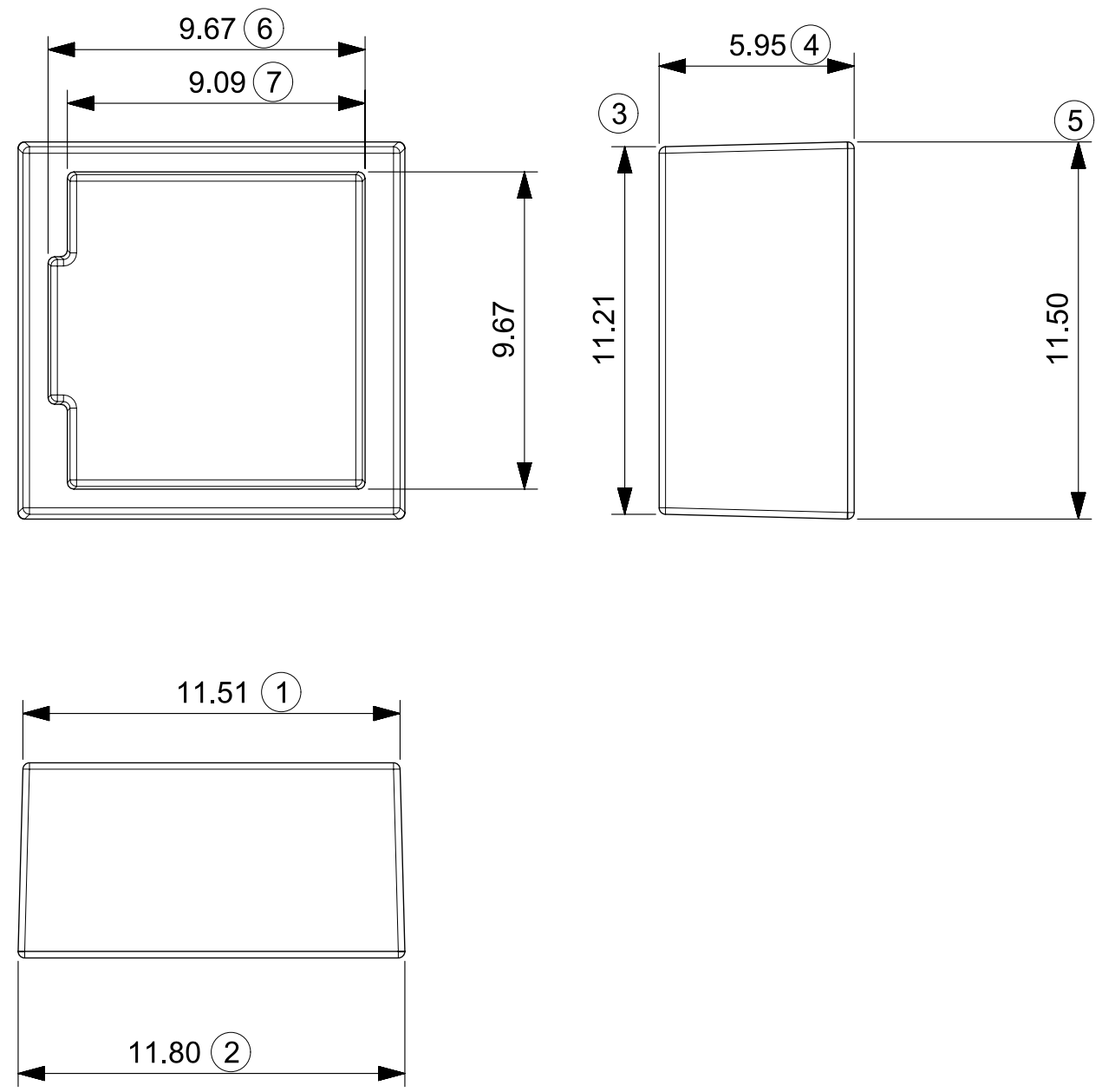
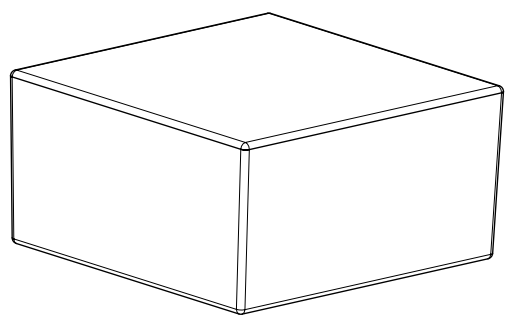
Tel: +86-755-8981 8866 Fax: +86-755-8427 6832

Email & Skype: info@chipsmall.com Web: www.chipsmall.com

Address: A1208, Overseas Decoration Building, #122 Zhenhua RD., Futian, Shenzhen, China



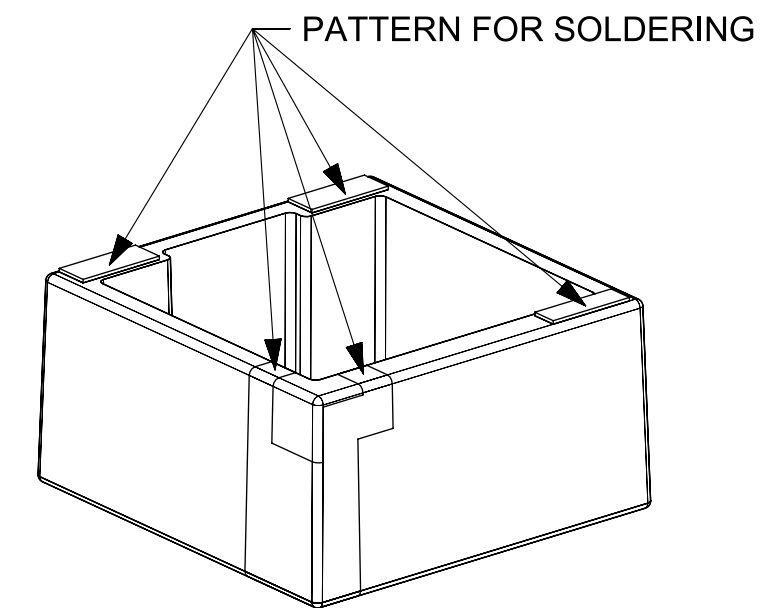
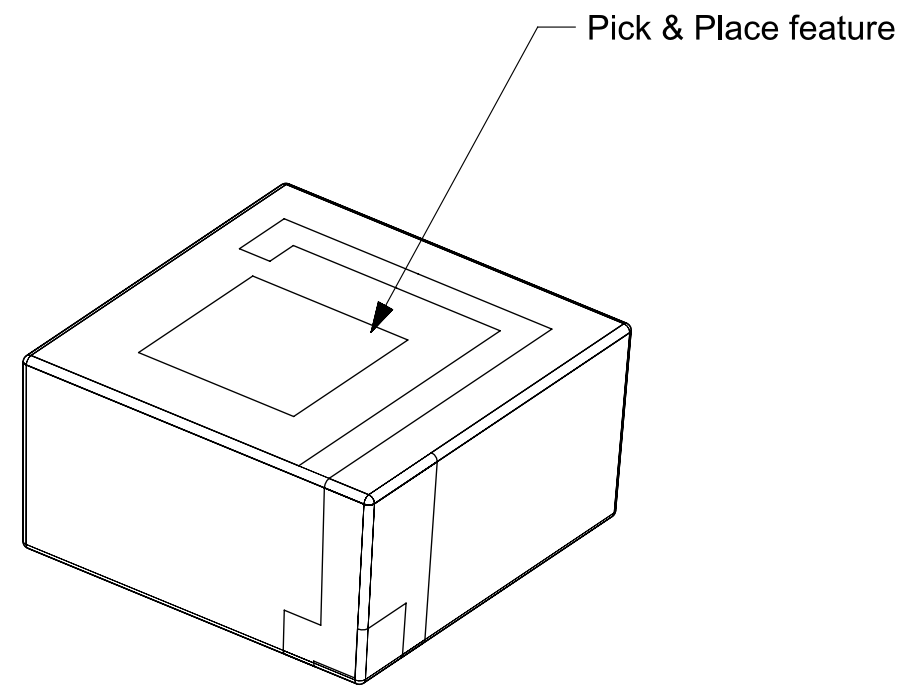
MOLEX					CUSTOMER			DRAWING LOCATION	CHANGE DESCRIPTION	AFFECTED DEPT
DRAWING NO.	REV	ECN NO.	DATA	P/N	P/N	3D REV	2D REV			
SD-146216-001	A	ABU2016-0058	2016/01/18	1462160001				NEW RELEASE		



NOTE:  
 1. MATERIAL :LCP-LDS, VECTRA E840ILDS, 40% MINERAL FILLED LASER DIRECT STRUCTURING GRADE,UL94V-0;  
 2.GENERAL TOLERANCE :+/-0.05MM  
 3.PRODUCT COMPLANT TO ROHS DIERTIVE 2002/95/EC AND ELV DIRECTIVE2000/53/EC

THIS DRAWING CONTAINS INFORMATION THAT IS PROPRIETARY TO MOLEX INCORPORATED AND SHOULD NOT BE USED WITHOUT WRITTEN PERMISSION											
QUALITY SYMBOLS	EC NO. EC NO 2016/01/18	DRWN: EC DRAWN 2016/01/18	CHK'D: EC CHKD 2016/01/18	APPR: EC APPR 2016/01/18	GENERAL TOLERANCES (UNLESS SPECIFIED)		DIMENSION UNITS	SCALE			
					ANGULAR TOL ± 0.5 °		mm	10:1			
▽ = 0	EC DESCRIPTION	A	REV	A	4 PLACES	± 0.00000	DRWN BY	DATE	HOUSING FOR RHCP GPS		
▽ = 0					3 PLACES	± 0.00000	Zlrao	2016/01/18			
▽ = 0					2 PLACES	± 0.0000	CHK'D BY	DATE	PRODUCT DESIGN DRAWING		
▼ = 0					1 PLACE	± 0.000	Jack Shi	2016/01/18			
▽ = 0					0 PLACES	± 0.00	APPR BY	DATE	SERIES: 146216    MATERIAL NUMBER: 1462160001    CUSTOMER: GENERAL MARKET		
▽ = 0					DRAFT WHERE APPLICABLE MUST REMAIN WITHIN DIMENSIONS		Chris Yu	2016/01/18			
▽ = 0			DRAWING SIZE	THIRD ANGLE PROJECTION	DOCUMENT NUMBER: SD-146216-001    DOC TYPE: XXX    DOC PART: XXX    SHEET NUMBER: 1 OF 3						
▽ = 0			A3								

RELEASE STATUS	RELEASE DATE
----------------	--------------

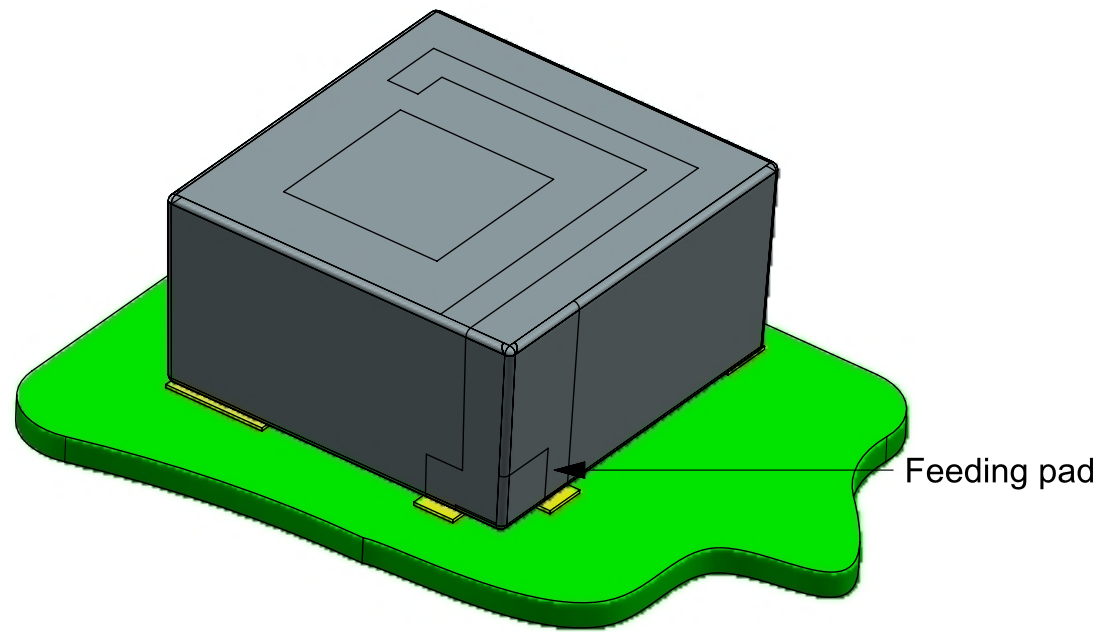


**Notes:**

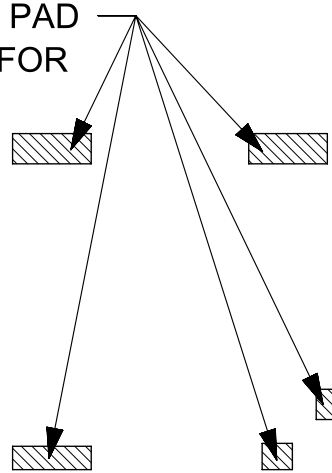
- 1. PLATING SPEC:  
 Cu: 12 um MINIMUM;  
 Ni: 2um MINIMUM;  
 Au : 0.1uM MINIMUM
- 2. OVER FLOWING OF PATTERN PROFILE AFTER PLATING:0.03uM MAXIMUM.

THIS DRAWING CONTAINS INFORMATION THAT IS PROPRIETARY TO MOLEX INCORPORATED AND SHOULD NOT BE USED WITHOUT WRITTEN PERMISSION													
QUALITY SYMBOLS ▽ = 0 ▽ = 0 ▽ = 0 ▼ = 0 ▽ = 0 ☒ = 0 ■ = 0 ▽ = 0	EC DESCRIPTION		GENERAL TOLERANCES (UNLESS SPECIFIED)		DIMENSION UNITS		SCALE						
	EC NO: EC NO		ANGULAR TOL ± 0.5 °		mm		10:1						
	2016/01/18		4 PLACES ± 0.00000		DRWN BY		DATE		PATTERN FOR RHCP GPS				
	2016/01/18		3 PLACES ± 0.00000		Zlrao		2016/01/18						
	2016/01/18		2 PLACES ± 0.0000		CHK'D BY		DATE						
	A		1 PLACE ± 0.00		Jack Shi		2016/01/18		PRODUCT DESIGN DRAWING				
	REV		0 PLACES ± 0.00		APPR BY		DATE						
	A		DRAFT WHERE APPLICABLE MUST REMAIN WITHIN DIMENSIONS		Chris Yu		2016/01/18		SERIES	MATERIAL NUMBER		CUSTOMER	
					A3		THIRD ANGLE PROJECTION		146216	1462160001		GENERAL MARKET	
									DOCUMENT NUMBER			DOC TYPE	DOC PART
								SD-146216-001			XXX	XXX	2 OF 3

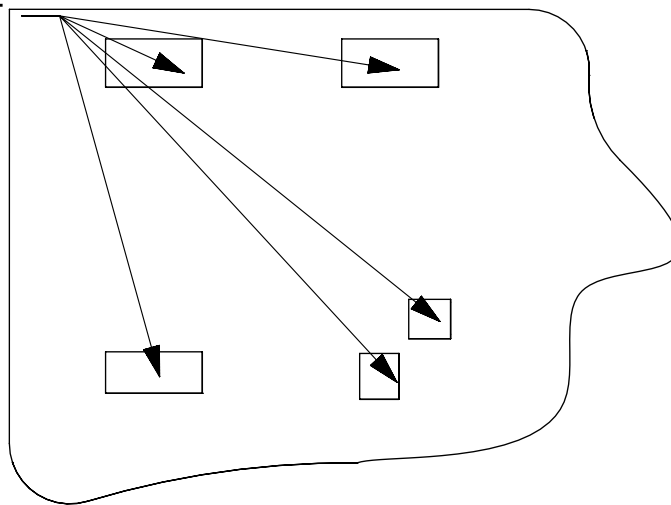
RELEASE STATUS	RELEASE DATE
----------------	--------------



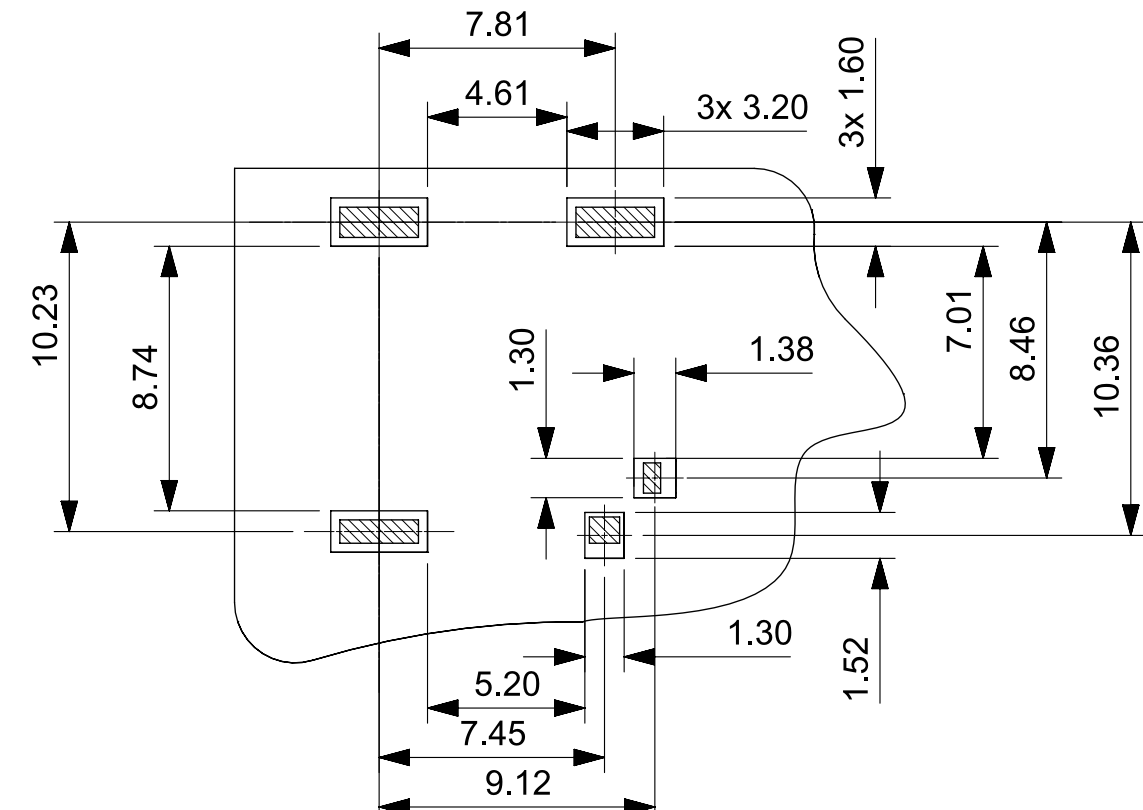
THE CONTACT PAD ON PRODUCT FOR SOLDERING



THE FOOTPRINT ON PCB FOR SOLDERING



RECOMMENDED PCB PATTERN LAYOUT



THIS DRAWING CONTAINS INFORMATION THAT IS PROPRIETARY TO MOLEX INCORPORATED AND SHOULD NOT BE USED WITHOUT WRITTEN PERMISSION											
QUALITY SYMBOLS		EC NO: EC NO		GENERAL TOLERANCES (UNLESS SPECIFIED)		DIMENSION UNITS		SCALE		<b>molex</b>	
▽ = 0	▽ = 0	2016/01/18	2016/01/18	ANGULAR TOL ± 0.5 °		mm		1:1			
▽ = 0	▽ = 0	EC DESCRIPTION		4 PLACES ± 0.00000		DRWN BY		DATE		FOOTPRINT FOR RHCP GPS	
▽ = 0	▽ = 0	A		3 PLACES ± 0.00000		Zlrao		2016/01/18			
▽ = 0	▽ = 0	EC NO: EC NO		2 PLACES ± 0.0000		CHK'D BY		DATE		PRODUCT DESIGN DRAWING	
▽ = 0	▽ = 0	A		1 PLACE ± 0.00		Jack Shi		2016/01/18			
▽ = 0	▽ = 0	EC NO: EC NO		0 PLACES ± 0.00		APPR BY		DATE		SERIES MATERIAL NUMBER CUSTOMER	
▽ = 0	▽ = 0	A		DRAFT WHERE APPLICABLE MUST REMAIN WITHIN DIMENSIONS		Chris Yu		2016/01/18			
▽ = 0	▽ = 0	EC NO: EC NO		DRAFT WHERE APPLICABLE MUST REMAIN WITHIN DIMENSIONS		DRAWING SIZE		THIRD ANGLE PROJECTION		146216 1462160001 GENERAL MARKET	
▽ = 0	▽ = 0	A		DRAFT WHERE APPLICABLE MUST REMAIN WITHIN DIMENSIONS		A3		THIRD ANGLE PROJECTION		DOCUMENT NUMBER DOC TYPE DOC PART SHEET NUMBER	
▽ = 0	▽ = 0	A		DRAFT WHERE APPLICABLE MUST REMAIN WITHIN DIMENSIONS		A3		THIRD ANGLE PROJECTION		SD-146216-001 XXX XXX 3 OF 3	

RELEASE STATUS	RELEASE DATE
----------------	--------------