



Chipsmall Limited consists of a professional team with an average of over 10 year of expertise in the distribution of electronic components. Based in Hongkong, we have already established firm and mutual-benefit business relationships with customers from,Europe,America and south Asia,supplying obsolete and hard-to-find components to meet their specific needs.

With the principle of “Quality Parts,Customers Priority,Honest Operation,and Considerate Service”,our business mainly focus on the distribution of electronic components. Line cards we deal with include Microchip,ALPS,ROHM,Xilinx,Pulse,ON,Everlight and Freescale. Main products comprise IC,Modules,Potentiometer,IC Socket,Relay,Connector.Our parts cover such applications as commercial,industrial, and automotives areas.

We are looking forward to setting up business relationship with you and hope to provide you with the best service and solution. Let us make a better world for our industry!



Contact us

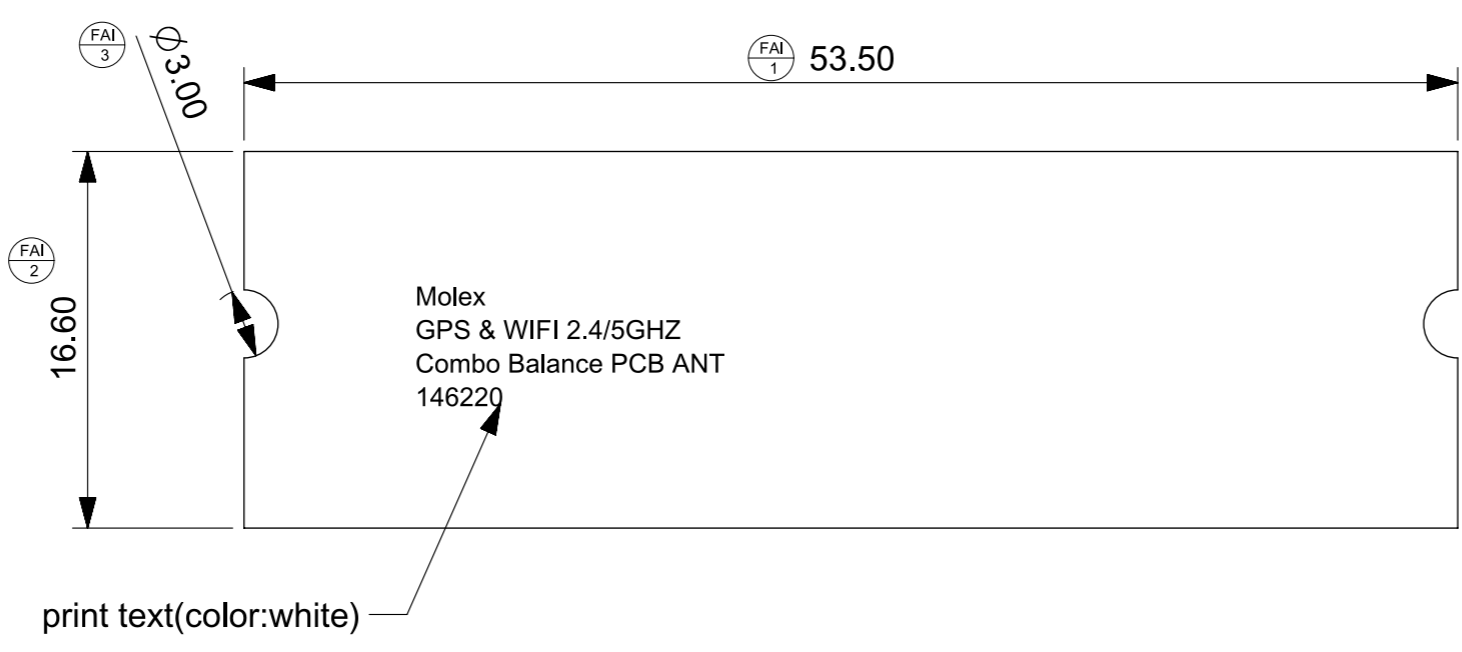
Tel: +86-755-8981 8866 Fax: +86-755-8427 6832

Email & Skype: info@chipsmall.com Web: www.chipsmall.com

Address: A1208, Overseas Decoration Building, #122 Zhenhua RD., Futian, Shenzhen, China



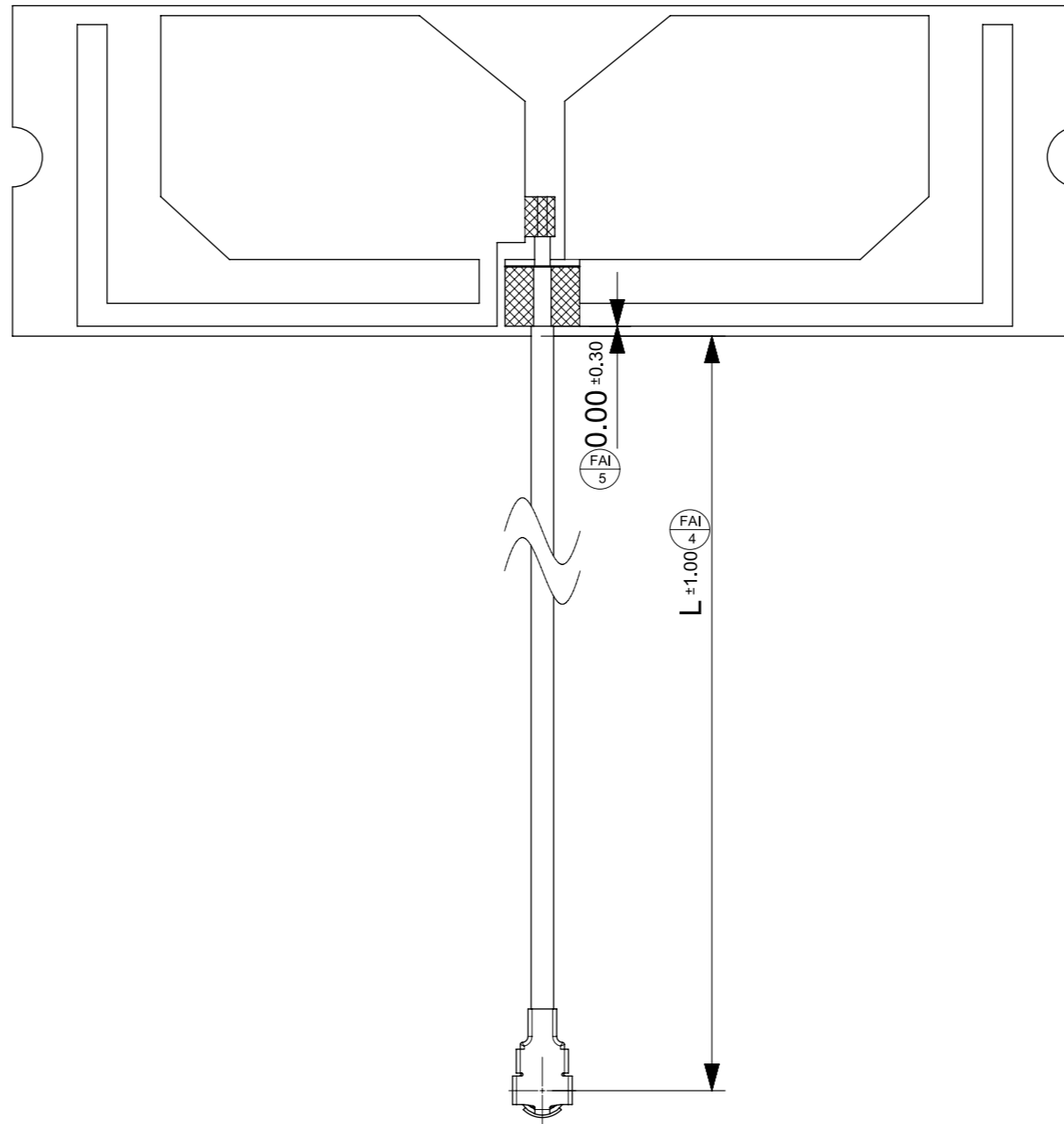
MOLEX				CUSTOMER				DRAWING LOCATION	CHANGE DESCRIPTION	AFFECTED DEPT
DRAWING NO.	REV	ECN NO.	DATA	P/N	P/N	3D REV	2D REV			
SD-146220-050	A	ABU2016-0045	2015/11/17	1462200050				NEW RELEASE		



ITEM	ASSY P/N	DESCRIPTION
1	1462200050	Flex +50mm Cable
2	1462200100	Flex +100mm Cable
3	1462200150	Flex +150mm Cable
4	1462200200	Flex +200mm Cable
5	1462200250	Flex +250mm Cable
6	1462200300	Flex +300mm Cable

- NOTE:
- Material: PCB 53.5mm * 16.6mm thickness 0.8mm
Base Copper: 18~20um
 - Tolerance on all copper artwork is +/-0.05mm.
 - Tolerance on all die cutlines is +/-0.1mm.
 - Tolerance between artwork and die cutline is +/-0.25mm.Others: +/-0.2mm
 - Ni&Au plating in the solder pad area:
Ni: 2-6 um, Au: min. 0.025 um thickness
 - Solder Mask: Green

THIS DRAWING CONTAINS INFORMATION THAT IS PROPRIETARY TO MOLEX INCORPORATED AND SHOULD NOT BE USED WITHOUT WRITTEN PERMISSION									
EC DESCRIPTION EC NO: ABU2016-0045 DRWN: ZLRAO CHK'D: Chris Yu APPR: Welson Tan	11/17/15	QUALITY SYMBOLS	GENERAL TOLERANCES (UNLESS SPECIFIED)	DIMENSION UNITS	SCALE				
	11/17/15	▽ = 0	ANGULAR TOL ± 1/2 °	mm	5:1				
	11/17/15	▽ = 0	4 PLACES ± 0.0000	DRWN BY	DATE	GPS & WIFI 2.4/5GHZ BALANCE ANTENNA_ASSY			
	11/17/15	▽ = 0	3 PLACES ± 0.0000	ZLRAO	2015/11/17				
				2 PLACES ± 0.000	CHK'D BY	DATE	PRODUCT DESIGN DRAWING		
			1 PLACE ± 0.00	Chris Yu	2015/11/17				
			0 PLACES ± 0.00	APPR BY	DATE	SERIES: 146220 MATERIAL NUMBER: See Table CUSTOMER: GENERAL MARKET			
				Welson Tan	2015/11/17				
			DRAFT WHERE APPLICABLE MUST REMAIN WITHIN DIMENSIONS	DRAWING SIZE	THIRD ANGLE PROJECTION	DOCUMENT NUMBER: SD-146220-050 DOC TYPE: XXX DOC PART: XXX SHEET NUMBER: 1 OF 2			
				A3					



ITEM	CABLE TYPE	CABLE LENGTH "L"
1	CABLE 50MM	43MM
2	CABLE 100MM	93MM
3	CABLE 150MM	143MM
4	CABLE 200MM	193MM
5	CABLE 250MM	243MM
6	CABLE 300MM	293MM

NOTE:

- 1.The dimesndion with tolerance in box should be controlled by flex supplier and tolerance of other dimension $\pm 0.2\text{mm}$
- 2.The cable line can not be rotated with the weld point for more than 60 degrees.
3. For pull test, can not lift up in the vertical direction
- 4.After RF test, please use the cap to protection connector, the cap material:PVC,type:FP EC3.0-10(0.9)

THIS DRAWING CONTAINS INFORMATION THAT IS PROPRIETARY TO MOLEX INCORPORATED AND SHOULD NOT BE USED WITHOUT WRITTEN PERMISSION											
EC DESCRIPTION EC NO: ABU2016-0045 DRWN: ZLRAO CHK'D: Chris Yu APPR: Welson Tan	11/17/15 11/17/15 11/17/15	QUALITY SYMBOLS	GENERAL TOLERANCES (UNLESS SPECIFIED)	DIMENSION UNITS	SCALE						
		$\nabla = 0$ $\nabla = 0$ $\nabla = 0$	ANGULAR TOL $\pm 1/2^\circ$ 4 PLACES ± 0.00000 3 PLACES ± 0.00000 2 PLACES ± 0.000 1 PLACE ± 0.00 0 PLACES ± 0.00	mm	4:1						
				DRWN BY	DATE	GPS & WIFI 2.4/5GHZ BALANCE ANTENNA_ASSY PRODUCT DESIGN DRAWING					
				ZLRAO	2015/11/17						
				CHK'D BY	DATE						
		Chris Yu	2015/11/17	SERIES: 146220 MATERIAL NUMBER: See Table CUSTOMER: GENERAL MARKET							
		APPR BY	DATE								
		Welson Tan	2015/11/17	DOCUMENT NUMBER: SD-146220-050 DOC TYPE: XXX DOC PART: XXX SHEET NUMBER: 2 OF 2							
		DRAFT WHERE APPLICABLE MUST REMAIN WITHIN DIMENSIONS									
A	REV			DRAWING SIZE	THIRD ANGLE PROJECTION						
				A3							