



Chipsmall Limited consists of a professional team with an average of over 10 year of expertise in the distribution of electronic components. Based in Hongkong, we have already established firm and mutual-benefit business relationships with customers from,Europe,America and south Asia,supplying obsolete and hard-to-find components to meet their specific needs.

With the principle of “Quality Parts,Customers Priority,Honest Operation,and Considerate Service”,our business mainly focus on the distribution of electronic components. Line cards we deal with include Microchip,ALPS,ROHM,Xilinx,Pulse,ON,Everlight and Freescale. Main products comprise IC,Modules,Potentiometer,IC Socket,Relay,Connector.Our parts cover such applications as commercial,industrial, and automotives areas.

We are looking forward to setting up business relationship with you and hope to provide you with the best service and solution. Let us make a better world for our industry!



## Contact us

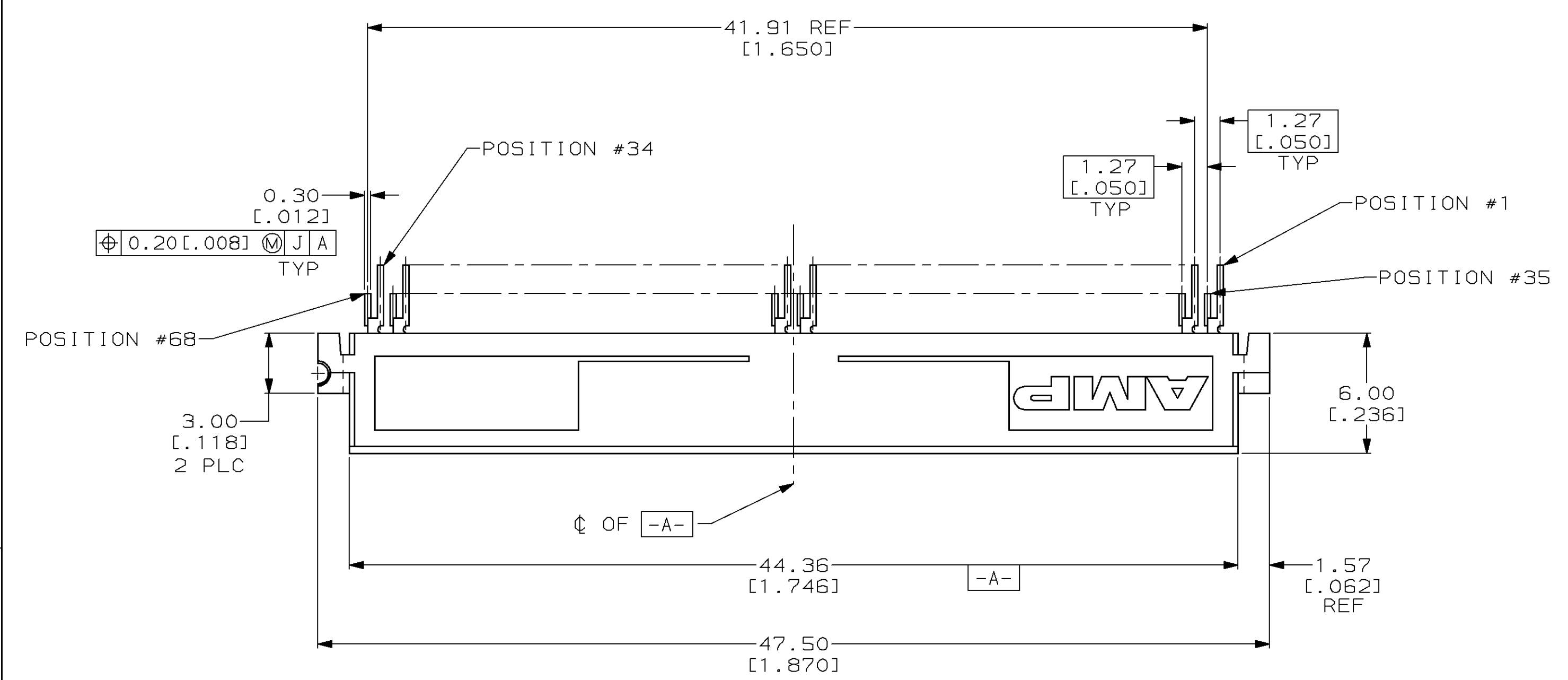
Tel: +86-755-8981 8866 Fax: +86-755-8427 6832

Email & Skype: info@chipsmall.com Web: www.chipsmall.com

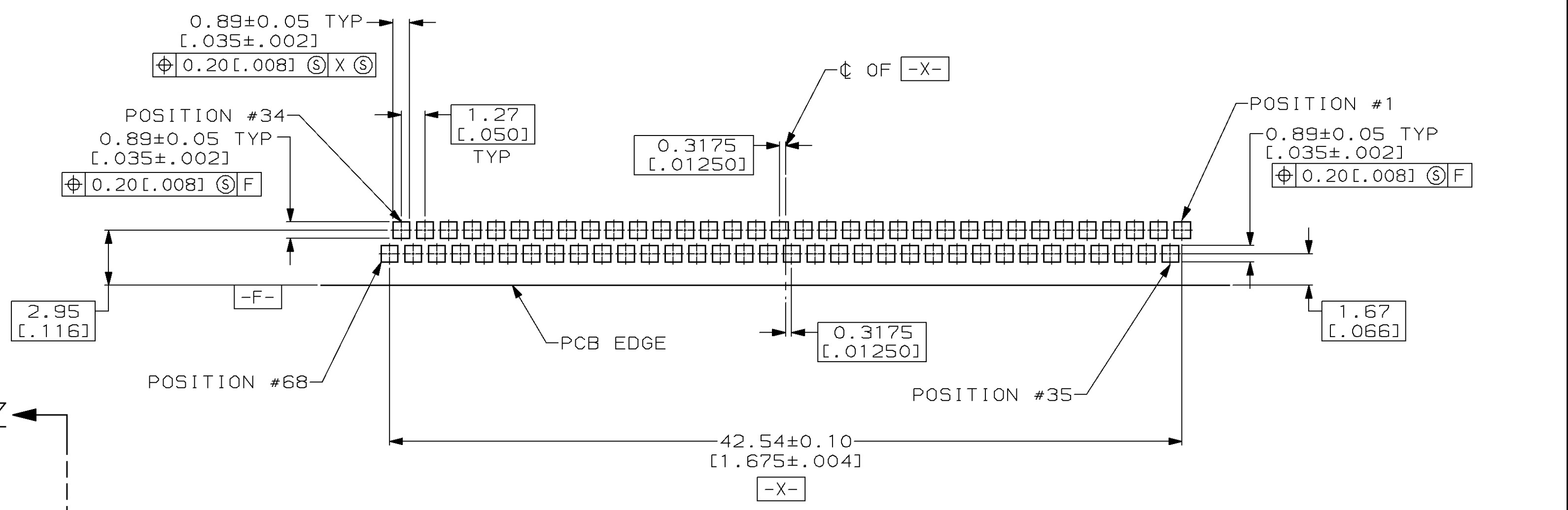
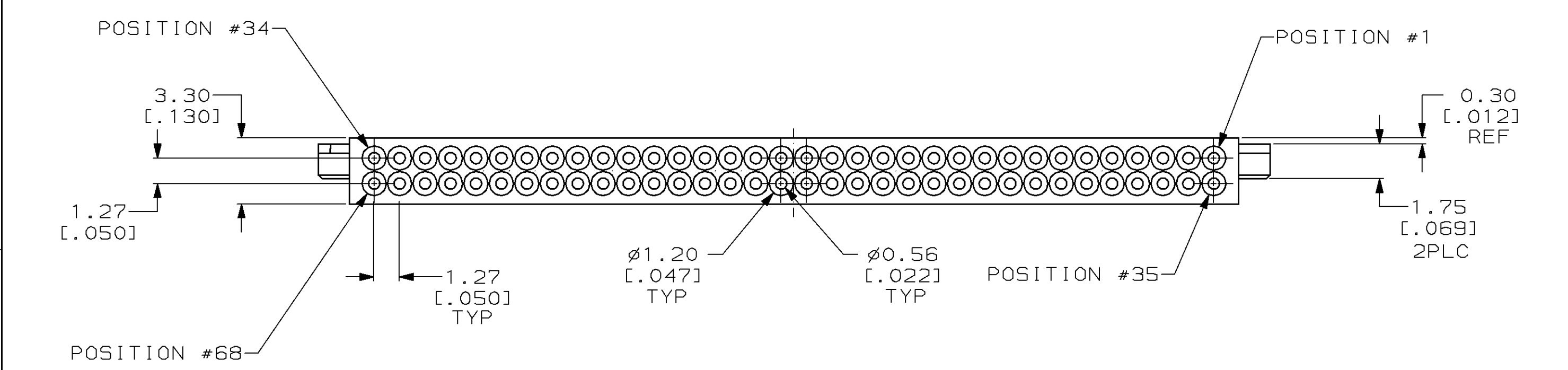
Address: A1208, Overseas Decoration Building, #122 Zhenhua RD., Futian, Shenzhen, China



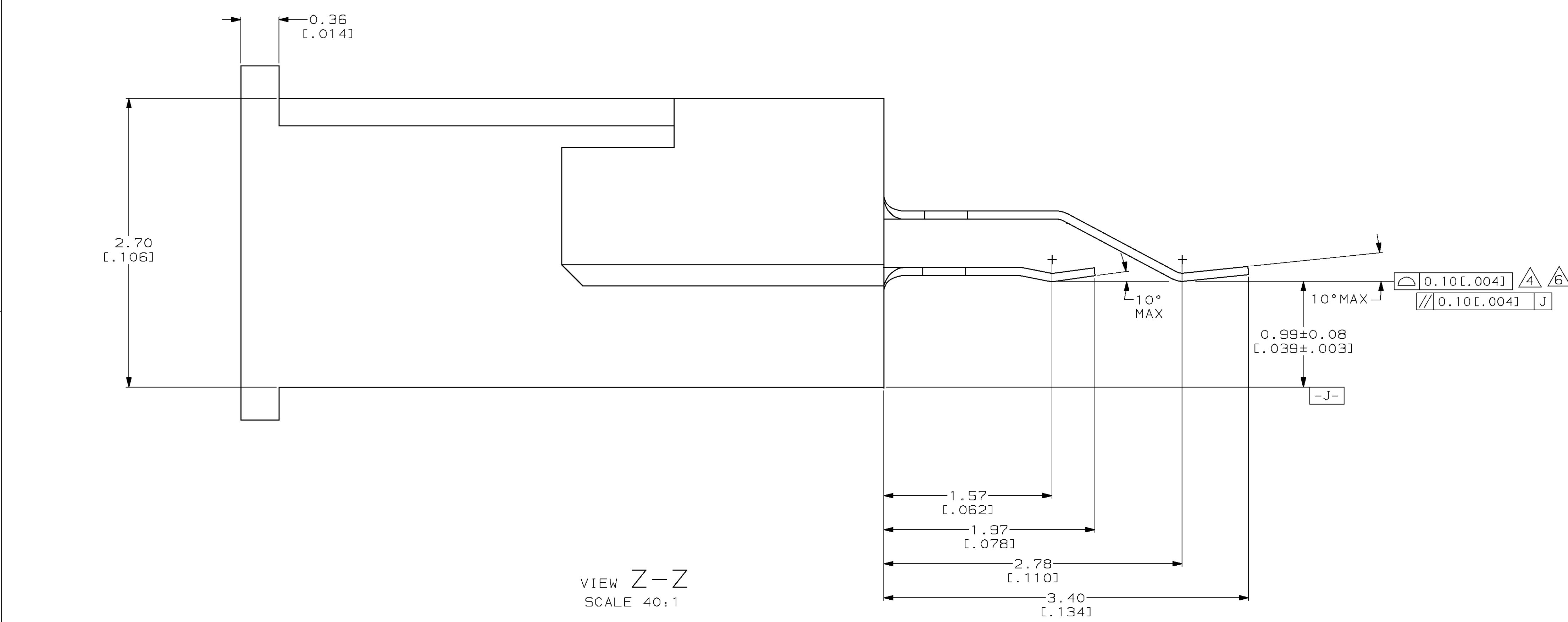
REVISONS		DATE	OWN	APVD
0	RELEASED	03/13/95	DW	DD
A	REV PER 0010-1110-95	9/12/95	DW	DD
B	REV PER EC 0410-2-96	29 JUL 96	CR	DRD
C	REV PER EC 0410-38-97	03 APR 97	CR	MP



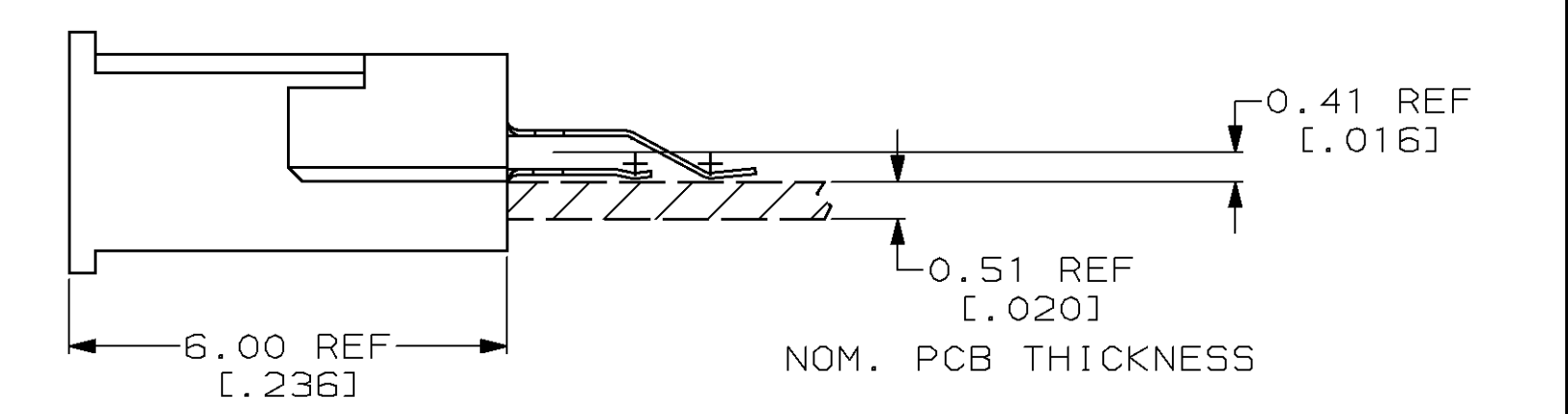
- 1 HOUSING: LCP, GLASS FILLED, COLOR: BLACK.
- 2 CONTACT: BERYLLIUM COPPER.
- 3 0.00076[.000030] MINIMUM GOLD ON MATING AREA, 0.00254[.000100] MINIMUM TIN-LEAD ON SOLDER TAIL, ALL OVER 0.00127[.000050] MINIMUM NICKEL.
- 4 DIMENSION IN REFERENCE TO LOWEST POINT OF EACH LEAD.
- 5. POINT OF CONTACT 2.3[.091] REF FROM MATING FACE.
- 6 APPLIES TO ALL SOLDER TAILS.



RECOMMENDED PC BOARD LAYOUT



VIEW Z-Z  
SCALE 40:1



PC BOARD LOCATION (REF)  
SCALE: 10:1

68	146230-1
POSITIONS	PART NUMBER

<small>THIS DRAWING IS A CONTROLLED DOCUMENT FOR AMP INCORPORATED. IT IS SUBJECT TO CHANGE AND THE CONTROLLING ENGINEERING DEPARTMENT SHALL BE CONTACTED FOR THE LATEST REVISION.</small>		DATE: 03/13/95 CHK: D WERTZ DATE: 03/13/95 CHK: D DIXON DATE: 03/13/95 CHK: D DIXON	AMP Incorporated Harrisburg, PA 17105-3508
DIMENSIONS: mm 0 PLC ± 1 PLC ±0.13 [.005] 2 PLC ± 3 PLC ± 4 PLC ± ANGLES FINISH	TOLERANCES UNLESS OTHERWISE SPECIFIED: 0 PLC ± 1 PLC ±0.13 [.005] 2 PLC ± 3 PLC ± 4 PLC ± ANGLES FINISH	PRODUCT SPEC APPLICATION SPEC WEIGHT CUSTOMER DRAWING	RCPT ASSEMBLY, SURFACE MOUNT, 68 POS, 0.41mm/.016in OFFSET, AMP MEMORY CARD SIZE: A1 CAGE CODE: 00779 DRAWING NO: C=146230 SCALE: 5:1 SHEET: 11 REV: C