



Chipsmall Limited consists of a professional team with an average of over 10 year of expertise in the distribution of electronic components. Based in Hongkong, we have already established firm and mutual-benefit business relationships with customers from,Europe,America and south Asia,supplying obsolete and hard-to-find components to meet their specific needs.

With the principle of “Quality Parts,Customers Priority,Honest Operation,and Considerate Service”,our business mainly focus on the distribution of electronic components. Line cards we deal with include Microchip,ALPS,ROHM,Xilinx,Pulse,ON,Everlight and Freescale. Main products comprise IC,Modules,Potentiometer,IC Socket,Relay,Connector.Our parts cover such applications as commercial,industrial, and automotives areas.

We are looking forward to setting up business relationship with you and hope to provide you with the best service and solution. Let us make a better world for our industry!



## Contact us

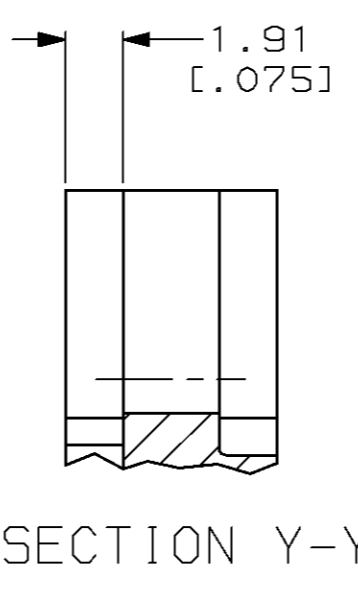
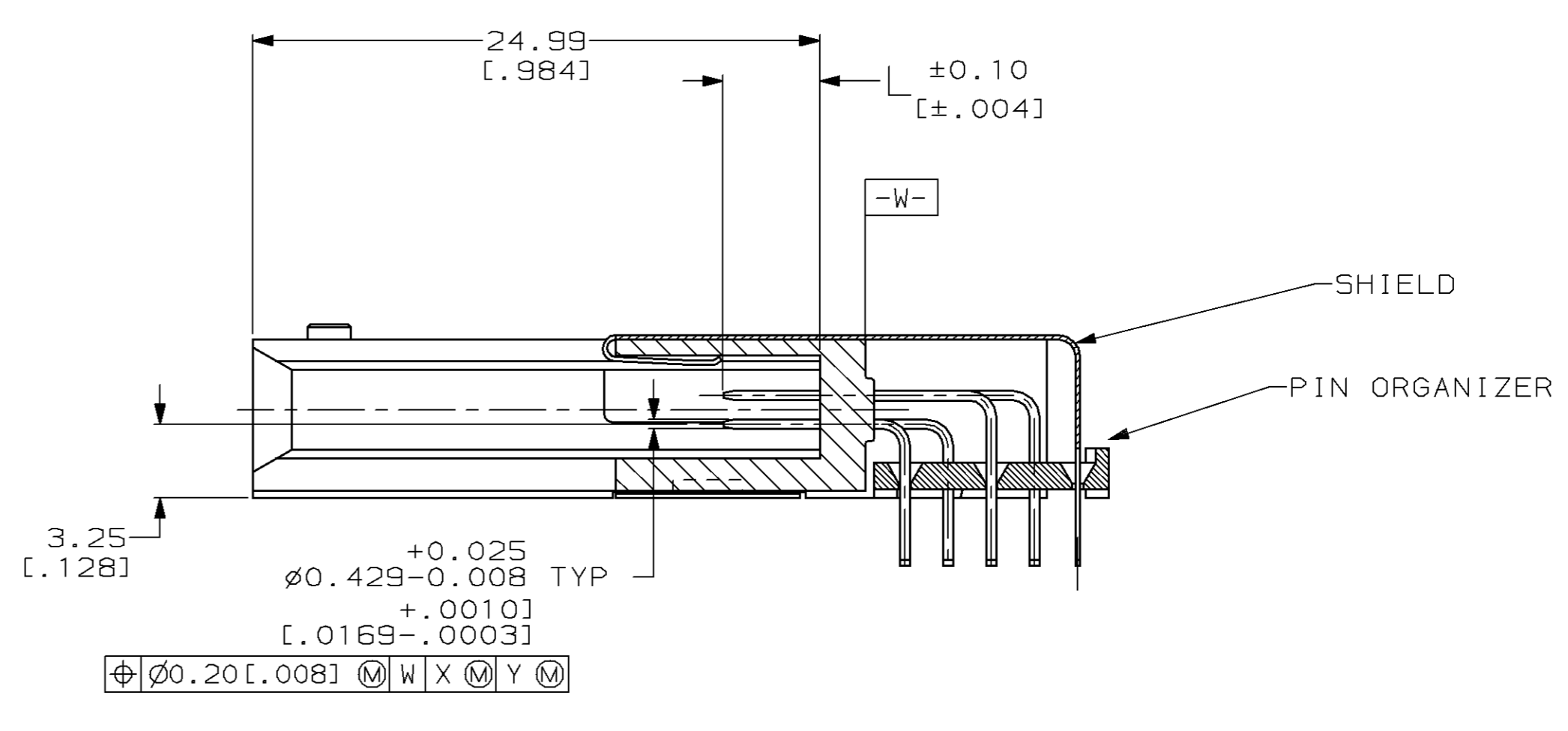
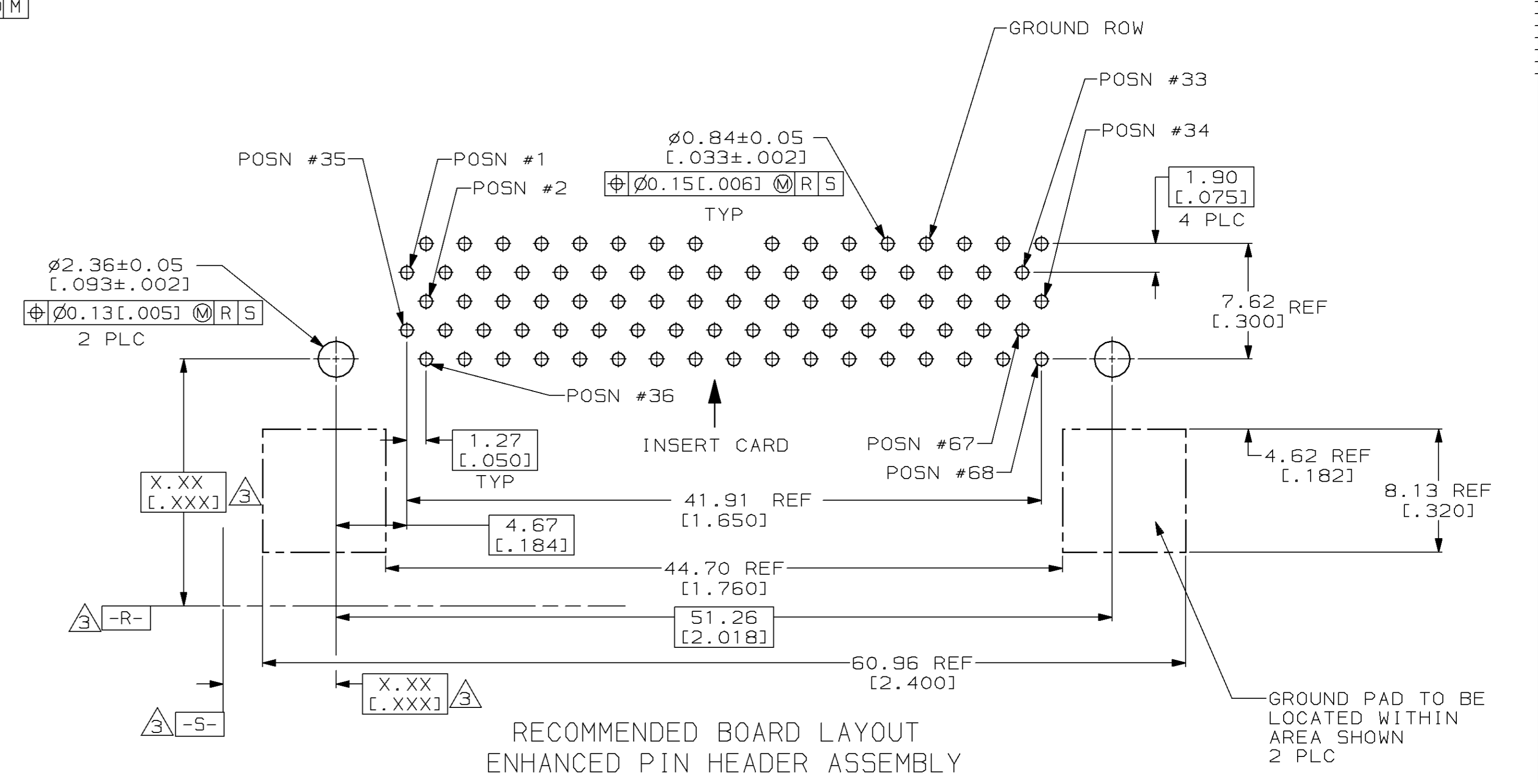
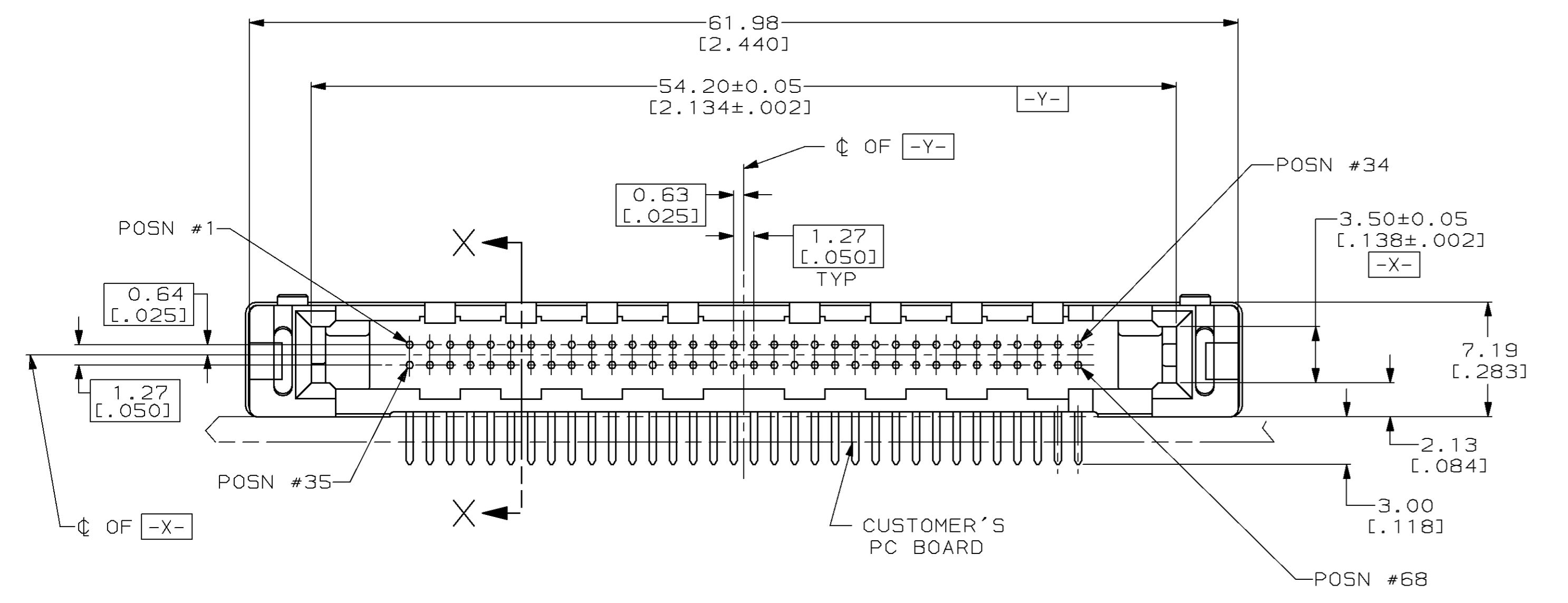
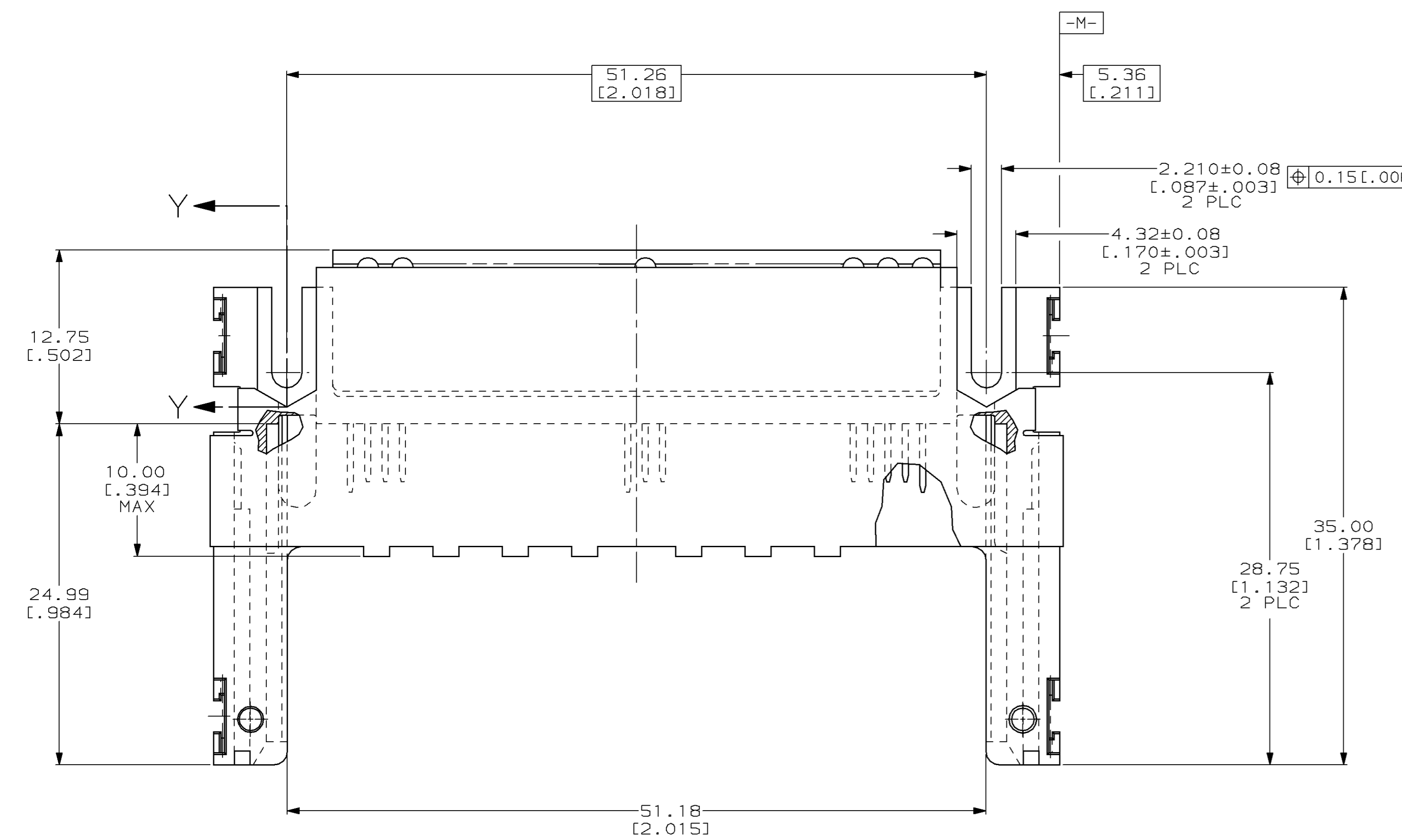
Tel: +86-755-8981 8866 Fax: +86-755-8427 6832

Email & Skype: info@chipsmall.com Web: www.chipsmall.com

Address: A1208, Overseas Decoration Building, #122 Zhenhua RD., Futian, Shenzhen, China



LOC		DIST		REV		REVISIONS		
AD	39	P	F	ZONE	LTR	DESCRIPTION	DATE	APPD
						0 RELEASED; WAS 94-1129-18	4/6/95	VR
						A REV PER 0010-1018-95	8/3/95	VR



- 1 0.00076 [0.00030] MINIMUM GOLD IN CONTACT AREA, 0.00381 [0.00150] MIN TIN-LEAD ON SOLDER TAILS, ALL OVER 0.00127 [0.00050] MINIMUM NICKEL
- 2 CUSTOMER TO PROVIDE CARD GUIDANCE SYSTEM
- 3 DATUMS AND BASIC DIMENSIONS ESTABLISHED BY CUSTOMER
- 4 CONNECTOR REQUIRES USE OF 2 SIZE 2M SCREWS FOR FASTENING TO PRINTED CIRCUIT BOARD
- 5 ASSEMBLY KEYED FOR LOW VOLT CARDS (3.3V).

THIS DRAWING IS A CONTROLLED DOCUMENT FOR AMP INCORPORATED. IT IS SUBJECT TO CHANGE AND THE CONTROLLING ENGINEERING ORGANIZATION SHOULD BE CONTACTED FOR THE LATEST REVISION.

VOLTAGE KEYING & IDENTIFICATION	1, 17, 34	35, 51, 68	OTHER PINS	36, 67	146321-1
		5.0 [0.197]	4.25 [1.167]	3.5 [0.138]	
"L" (PIN LENGTH) AND LOCATION					PART NO
DO NOT SCALE PRINT. UNLESS SPECIFIED DIMENSIONS IN mm [INCHES] TOLERANCES ON: 2 PLC DEC ±0.13 [0.005] 3 PLC DEC ± - ANGLES ± 2°					
DR 4/6/95 DARRELL WERTZ CHK 4/6/95 VINCE RUMINSKI APPD 4/6/95 VINCE RUMINSKI		<b>AMP</b> AMP Incorporated Harrisburg, PA 17105-3608			
MATERIAL HOUSING & ORGANIZER: LCP, COLOR: BLACK PIN: BRASS SHIELD: PHOSPHOR BRONZE FINISH		NAME PIN HEADER ASSEMBLY, 68 POSN, TOP BOARD MTG, THRU-HOLE, AMP ENHANCED MEMORY CARD			
CONTACT & SHIELD: 1		SIZE D CAGE CODE 00779 DRAWING NO C=146321		SHEET 1 OF 1	
APPLICATION SPEC - WEIGHT -		SCALE 4:1		CUSTOMER DRAWING	